

Site Layouts

Express Exterior Car Wash

Definition:

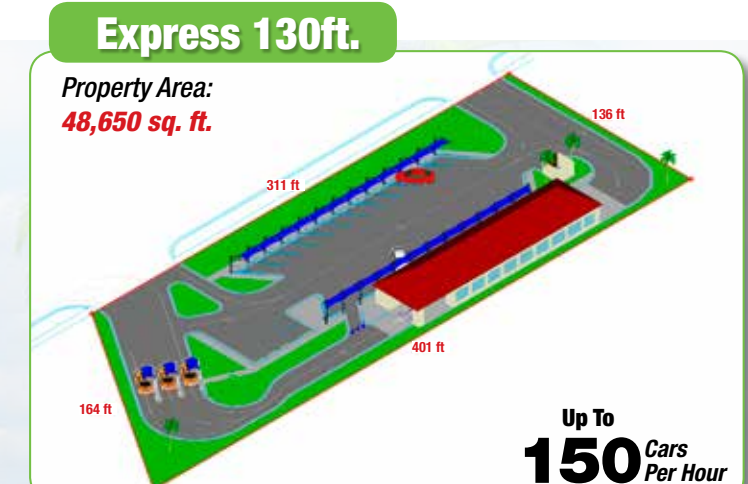
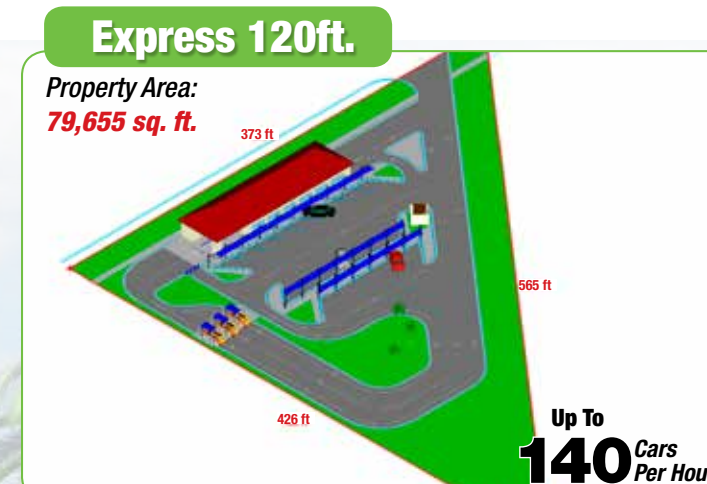
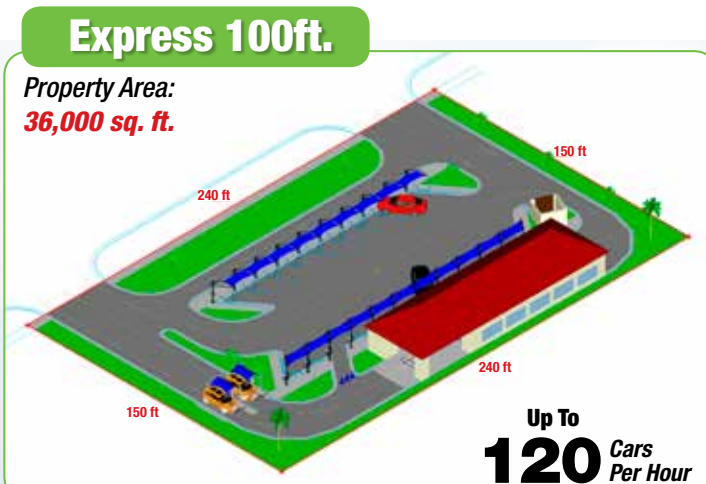
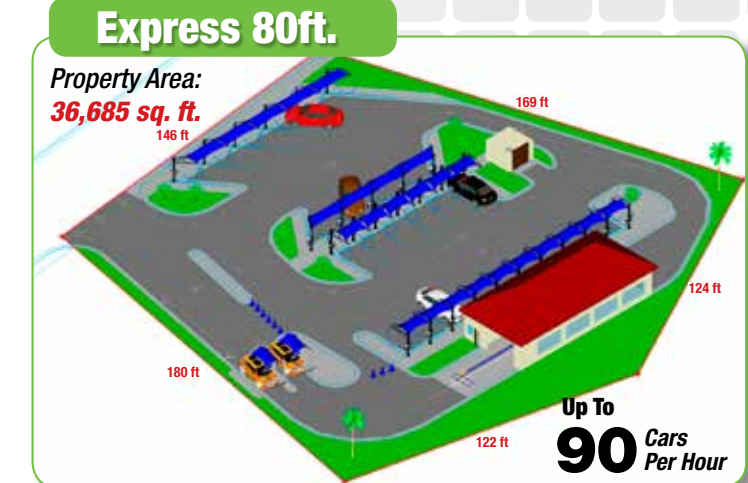
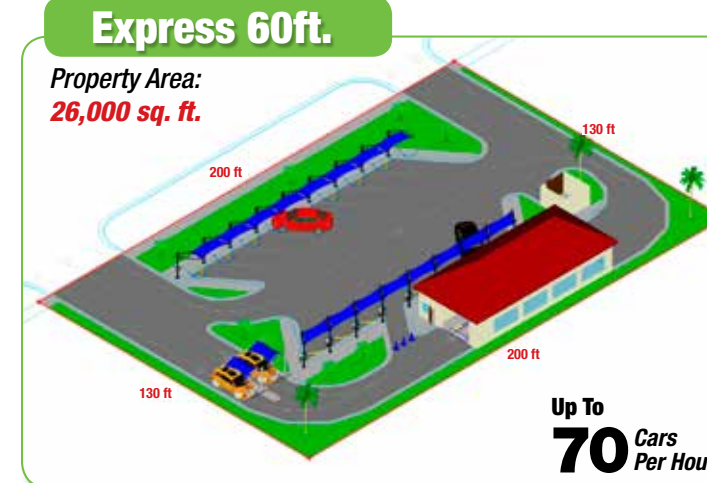
Express Exterior washes utilize longer tunnels; often over 100ft. Customers pay at an automated greeter and drive themselves onto the conveyor under the guidance of an attendant. These high volume locations approach the market with a value-priced base wash and free self-serve vacuums. They are normally located on streets with high traffic counts, feature multiple greeters and entry lanes, and are the primary business for a given property.

Considerations:

Many of the innovations for an Express Exterior are based on technological advancements in equipment, chemicals, and affordable computing power – one of them is not – FREE vacuums. To some it seems insignificant – to others, a loss in revenue. Well, it is about as insignificant to increasing volume and profit at your car wash as “Super Size” or self-serve fountain drinks are in fast food.











Sample Express Exterior Layouts
Start Your Planning at SonnysDirect.com

Express Exterior





Watch new case studies online and subscribe to our YouTube channel
[YouTube /sonnyscarwashfactory](https://www.youtube.com/channel/UC...)

Tunnel Systems

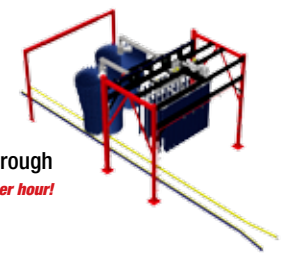
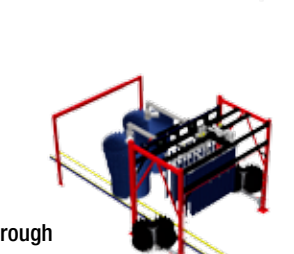
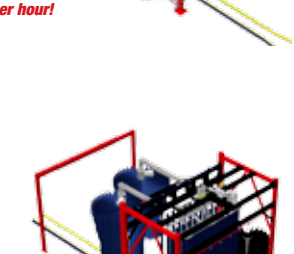
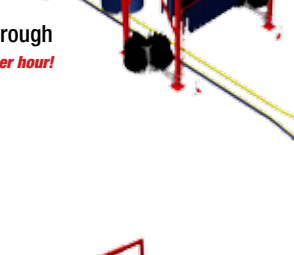
<p>SONNY'S 160-MT Hybrid Tunnel System</p> <p>Wash, Wax, Seal, Tire Shine, & Dry Up To 180 Cars Per Hour!</p> <p>OPTIONAL With This Package </p>	<p>SONNY'S 120-MT Hybrid Tunnel System</p> <p>Wash, Wax, Seal, Tire Shine, & Dry Up To 140 Cars Per Hour!</p> <p>OPTIONAL With This Package </p>
<p>SONNY'S 135-EDT Hybrid Tunnel System</p> <p>Wash, Wax, Seal, Tire Shine, & Dry Up To 150 Cars Per Hour!</p> <p>INCLUDED With This Package </p>	<p>SONNY'S 100-MT Hybrid Tunnel System</p> <p>Wash, Wax, Seal, Tire Shine, & Dry Up To 120 Cars Per Hour!</p> <p>OPTIONAL With This Package </p>
<p>SONNY'S 130-MT Hybrid Tunnel System</p> <p>Wash, Wax, Seal, Tire Shine, & Dry Up To 150 Cars Per Hour!</p> <p>OPTIONAL With This Package </p>	<p>SONNY'S 80-MT Hybrid Tunnel System</p> <p>Wash, Wax, Seal, Tire Shine, & Dry Up To 90 Cars Per Hour!</p> <p>OPTIONAL With This Package </p>
<p>SONNY'S 130-TF Hybrid Tunnel System</p> <p>Wash, Wax, Seal, Tire Shine, & Dry Up To 80 Cars Per Hour!</p> <p>OPTIONAL With This Package </p>	<p>SONNY'S 60-MT Hybrid Tunnel System</p> <p>Wash, Wax, Seal, Tire Shine, & Dry Up To 70 Cars Per Hour!</p> <p>OPTIONAL With This Package </p>
<p>SONNY'S 125-EDT Hybrid Tunnel System</p> <p>Wash, Wax, Seal, Tire Shine, & Dry Up To 110 Cars Per Hour!</p> <p>INCLUDED With This Package </p>	<p>SONNY'S 60-EDT Hybrid Tunnel System</p> <p>Wash, Wax, Seal, Tire Shine, & Dry Up To 90 Cars Per Hour!</p> <p>INCLUDED With This Package </p>

The Original Mini Tunnel™

Xtreme Tunnel Systems

<p>SONNY'S 50-XTB Xtreme Tunnel System</p> <p>Wash, Wax, Seal, Tire Shine, & Dry Up To 80 Cars Per Hour!</p> <p>OPTIONAL With This Package </p>
<p>SONNY'S 50-XMT Xtreme Tunnel System</p> <p>Wash, Wax, Seal, Tire Shine, & Dry Up To 60 Cars Per Hour!</p> <p>OPTIONAL With This Package </p>
<p>SONNY'S 43-XTB Xtreme Tunnel System</p> <p>Wash, Wax, Seal, Tire Shine, & Dry Up To 50 Cars Per Hour!</p>

Fleet-O-Matic Drive-Through
Car Wash Systems

<p>FOM 300D 3-TOUCH Drive-Through</p> <p>High volume, up to 55 cars per hour!</p>	
<p>FOM 500D 5-TOUCH Drive-Through</p> <p>High volume, up to 55 cars per hour!</p>	
<p>FOM 700D 5-TOUCH Drive-Through</p> <p>High volume, up to 55 cars per hour!</p>	
<p>FOM 300TB 3-TOUCH Drive-Through</p> <p>High volume, up to 55 cars per hour!</p>	



For complete information on SONNY'S Car Wash Equipment view our Tunnel Systems & Equipment Catalog

