



PETROLEUM & C-STORE

INVESTOR GUIDE

Make CarWashing Easy™

www.SonnysDirect.com | Call 1.800.327.8723



Set Yourself Up For **Success**

Capitalize on Your Traffic

Gas Stations and C-Stores have the vehicle traffic already, why not capitalize on it? Generate additional profits from a car wash, as well as incremental growth in the store and at the pump!

Pump Up Profits

Why not make an extra \$300 - \$500 per customer in annual revenue with the addition of a car wash? By adding a tunnel wash and selling unlimited monthly subscriptions, you can reap the benefits of an ongoing revenue producing profit center.

Store to Store Sales Integrated

All of your registers and all of your fuel pumps can sell washes to your car wash. Even if the C-Store or Gas Station is on a different location from your car wash. We call this Fuel Pump Integration. It's easy for the customer and it's easy for you! Combined reporting for multi-site owners.

Speed and Convenience

A conveyor system can wash move 60+ cars per hour, compared to an in-bay of 12 cars per hour. Higher volume of vehicles equals higher profits. Meet customers demand!

OUR BUSINESS GROWS YOURS.

INCREASE GROSS PROFITS.

With the right car wash equipment and process in place, your car wash program can be a center for profit, not cost. This can happen quickly and successfully. Build a VIP Wash Club.



MORE LOYAL CUSTOMERS



INCREASE FREQUENCY



INCREASE ITEM SALES



AUTOMATED FOR MINIMAL LABOR



Awareness



Consideration



Acquisition



Service



Loyalty

One Stop Shop

One stop shopping is certainly a benefit your existing customers will appreciate and it's something you will benefit from. It can also attract new customers to your store or gas station. Once they try your car wash, these new customers may be tempted to grab a few snacks or pump gas too.

Customer Satisfaction

A professional tunnel car wash is not only the fastest, safest, and most efficient method of washing vehicles, it can also operate automatically with minimal labor. With a conveyor, consistency and throughput increases and your cost-per-car washed is incredibly efficient.

HOW DO I GET STARTED?

Since 1949, we have been washing cars, building successful car wash businesses and guiding car wash owners from concept to profitable operations. No two projects have been the same and that's what we love. This is YOUR business and YOUR vision coming to life – we get to help you make it happen.

So, where do you start? How do you stand out? And how do you build something that will last? Whatever background or level of experience you come from, here's a quick guide to get you thinking and taking some action. After all, as with most businesses, there are certain things about being a successful owner that you can only learn from people with experience or experiencing it yourself.

STEP 1 LOCATION & EDUCATION

Building a Strong Foundation

If you have a location in mind (or you don't) it's best to have clear picture of car wash minimum requirements. Reach out to our Business Development team for specifications and details of what you should be looking for in terms of size, accessibility, population and other criteria. You may also want to attend Sonny's New Investor Seminar. It's a one-day course that covers financing, site selection, cost estimates, operations and business models.

STEP 2 DUE DILIGENCE

Business Pro Forma: Sonny's Consulting

Our staff of experienced car wash professionals excel at evaluating potential car wash sites: traffic patterns, demographic data, and market and site information. The team reviews your specific location for competition and potential opportunities. When completed, a Sonny's Pro Forma provides you with a thorough evaluation of your site and its car washing potential.

STEP 3 BUDGETING

Have an Idea of Profits and Expenses

With an idea of equipment and construction costs, we will finalize the business Pro Forma. This serves as a baseline for budgeting and financing. A solid revenue model helps convince investors to put up the capital for your new business. You will also need an effective marketing plan.

STEP 4 FINANCING

Funding Your Business

The site analysis provides any potential concerns and then the Pro Forma establishes the first 5 years projections and a break even analysis. Whether you need private lending, SBA, or commercial lending and leasing, we have established contacts and can help connect you to lending and financing specialists.

STEP 5 EQUIPMENT & CONTROLS

Invest in the Right Stuff

Select car wash equipment and controls that meet the projected washing volume provides your customers with a professional experience and makes it easy for you to manage. We have local support across the nation that specialize by regional needs. Our equipment is designed and manufactured in the USA and engineered with "open architecture" for ease of maintenance and repair.

STEP 6 INSTALLATION & SUPPORT

Time to Build

Sonny's provides as many as 65 pages of drawings detailing mechanical, electrical and plumbing layouts as well as equipment placement, and auxiliary support equipment. Our worldwide network of factory-trained Select Service Organizations (SSOs) will install your equipment and work with selected contractors to ensure timely delivery. The SSO provides on-site training, start-up and ongoing service.

STEP 7 MARKETING & BRANDING

Define and Develop your Business

Our in-house team of marketers, producers, writers, designers, and developers are here to help you define and grow your business. Tie to your brand from pre-launch with brand discovery, logo development, and web development to activation with unlimited membership strategy, training videos, social media, location and reputation management and tracking and reporting. SLAM CarWash Marketing has you covered.

STEP 8 CHEMISTRY

Profitable and Premium Soap

When it comes to washing cars, you want a chemical solution that provides clean, dry, shiny cars. Sonny's CarWash Chemistry by Diamond Shine has been manufacturing cleaning chemicals since 1940. Our team of chemical specialists work with you to deliver the best solution at the right price.

STEP 9 COLLEGE & PARTS

Management and Maintenance

With Training and Distribution facilities in Phoenix, AZ and Tamarac, FL, Sonny's can deliver parts for all OEMs in 3-days or less to keep your business up and running. CarWash College, the industry's leading professional education program, offers both online and hands-on educational training for multi-site management, equipment maintenance, and repair.

STEP 10 SIGNAGE

Signs and Lights for the Best Car Wash Experience

Decades of car wash manufacturing experience led to the car wash industry's leading sign design and manufacturing company – Mr. Foamer. From the moment a customer drives onto your property you want to welcome them with impact and create a unique wash experience that generates the highest average wash tickets and customer loyalty.



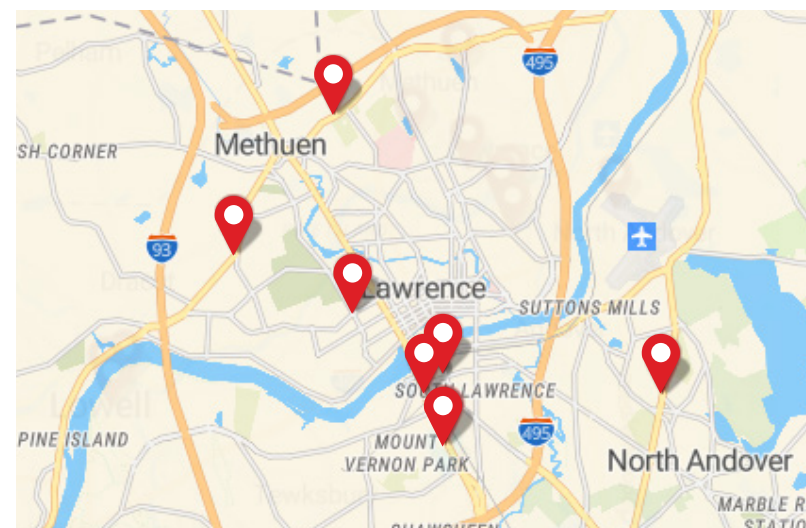
Increase your Revenue

Have multiple gas locations in a market, but no room for a car wash at each site? No problem! All sites can sell washes from the pump, feeding to a single wash location.

Sonny's Fuel Pump Integration, seamlessly communicates with gas station POS systems to issue one-time use codes from the pump. The multi-site structure POS makes it easy for customers to purchase at a gas station fuel pump and redeem it later at your wash.

Your Sonny's back office mobile web platform will track and report on all codes, keeping you updated on your wash anytime, anywhere. Utilizing industry standard protocols, Sonny's POS can communicate with most major gas station Fuel Pump POS systems.

Set up your wash with Multi-Site Structure



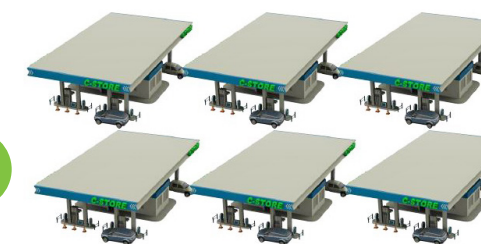
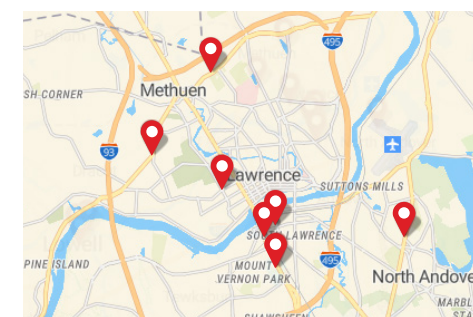
Sell from Gas Station / C-Store Fuel Pumps with Sonny's Fuel Pumping Integration

Buy Anywhere, Redeem At Your Car Wash Locations

Customers receive a generated code from the pump or C-Store checkout and redeem at any of your wash locations. With Sonny's reporting, you can track purchase locations and receive redemption location reporting to assist you in marketing and targeted promotions.

Unlimited Growth with Unlimited Plans!

Remote locations can also sell membership plans for your wash. All information will be processed through your Sonny's POS system making it easy and seamless for the customer, and also easy for you to welcome the customer to your wash.



Sell from Gas Station or C-Store with Sonny's Fuel Pumping Integration



Redeem at any of your Car Washes

C-STORE OPERATORS OWN SOME OF THE BEST **CAR WASHING SITES IN THE WORLD**

Sonny's has led the development of the car wash industry's highly successful business model known as the Express Exterior. The Express model features high speed, high volume, conveyORIZED wash tunnels with free vacuums and subscription based monthly wash programs. The highly automated process offers your customer's an affordable base price point of \$5 for a professional wash package and a high-end Ceramic X³ for as much as \$25.

Not only does the system provide inexpensive car washes, it also focuses on convenience for the consumer. The wash process takes just 2-3 minutes, and multiple vehicles can be processed at the same time due to the conveyORIZED system. Automated pay stations, gated entry, and ICON-based signage create a platform for high-volume washing with minimal on-site labor. Lastly, the addition of free vacuums creates a synergy between value and convenience that produces more wash volume than was previously thought possible.

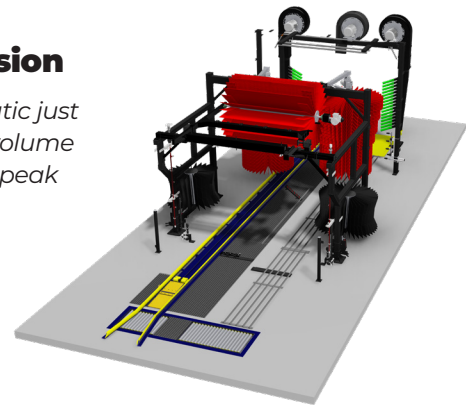
The demographics and traffic counts of a successful c-store align perfectly with the Express Exterior business model requirements. By coupling the Express Exterior model with your existing c-store/gas station, you can take convenience and value to a whole new level.

Sonny's recognizes the need for c-store operators to create new profit centers and maximize their existing revenue streams. Increased operating costs, reduced fuel margins, and competition from high-volume retailers are taking market share and your profits with it. By converting your existing wash bay to an Express Exterior tunnel, you will have the ability to increase your profits at the car wash, at the pumps, and inside the store, more than you could imagine.



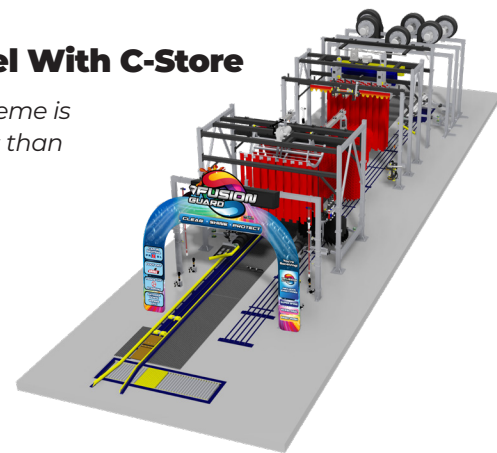
In-Bay Conversion

"The rollover automatic just could not meet the volume potential during our peak washing days."



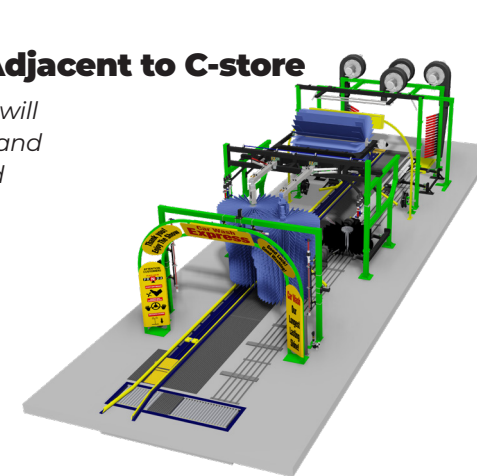
Professional Tunnel With C-Store

"Our 54ft Sonny's mini Extreme is washing 6 times more cars than our rollover!"



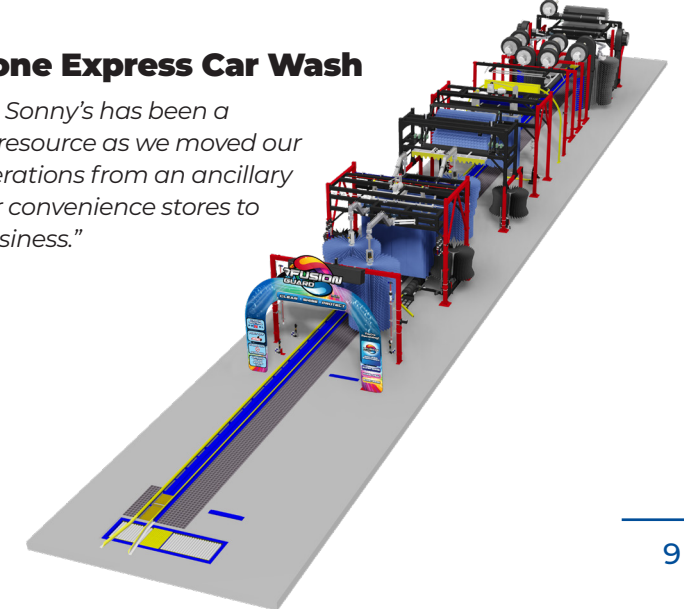
Express Car Wash Adjacent to C-store

"We feel the brand leverage will spur additional sales of fuel and soft goods, driving our brand recognition"



Stand Alone Express Car Wash

"The team at Sonny's has been a tremendous resource as we moved our car wash operations from an ancillary service at our convenience stores to a primary business."



SOAPY SADDLES CAR WASH CASE STUDY

Location
NORCO, CA.

Business
PETROLEUM + C-STORE

Car Wash
65 EXPRESS

Operational
1 YEAR

The Challenge

Ron Reger worked in oil for 18 years, straight out of college. 15 years ago he went out on his own when he decided to build, develop and sell his first gas station. He then found himself more interested in the building and owning side of the business. Today, Reger owns nine gas stations with three car washes. Though his Norco, California location is surrounded by self serve, in-bay, and hand wash car washes and competition is steep, he needed to set his business apart. Reger installed a 65-foot tunnel and branded it Soapy Saddles Express Car Wash.

Solution

When looking for a cash flow add-on to his newest gas station business, Reger looked no further than an express car wash. He turned to Sonny's for wash suggestions and solutions, as well as local project management assistance.

Reger understands the added convenience of speedy service when dealing with multiple profit centers. Soapy Saddles leverages Sonny's CarWash Controls Fuel Pump Integration to make it easy for customers to buy a wash in-store or at the pump. With c-store, Wetzel Pretzels, car wash, and gas incentives across the whole site, employees push for package car wash memberships with every sale and customers are visiting Fuel Up! as their one-stop shop. He also incorporated License Plate Recognition (LPR) for members to quickly access the express wash service at their convenience.

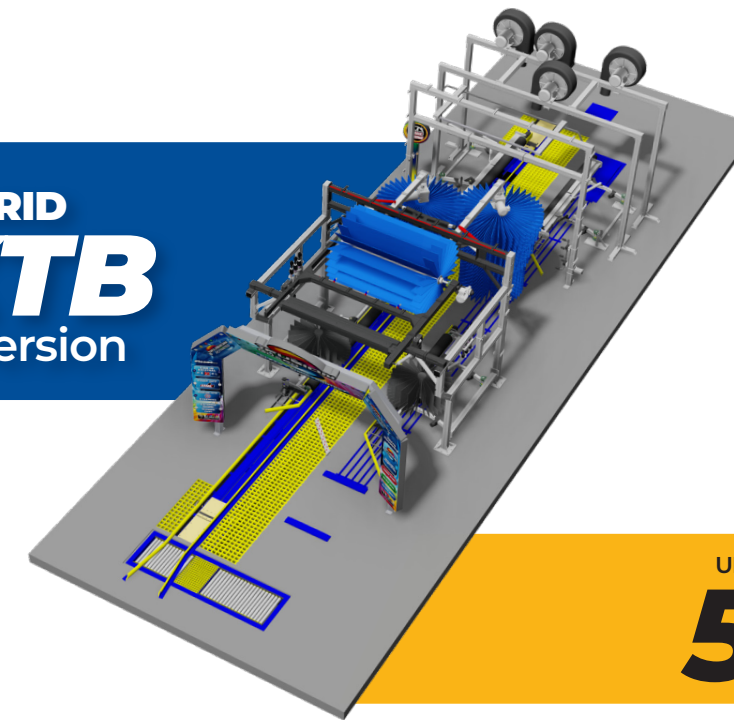
Reger wanted a fun way to entice customers with attractive packages, signage and easy-to-read menu options. He settled on a digital menu to have packages appear animated and so he could update promotions to match holidays and special offers throughout the year.

Outcome

The integration of Soapy Saddles express car wash with Fuel Up! Gas Station provides Reger the flexibility to incorporate an additional profit center, while simultaneously keeping employee overhead low. Ron has only one employee per shift dedicated to car wash customers. Soapy Saddles has become such a large part of the business that Reger now has two more car wash sites in the works.

Option 1

XTREME HYBRID 43-XTB In-Bay Conversion



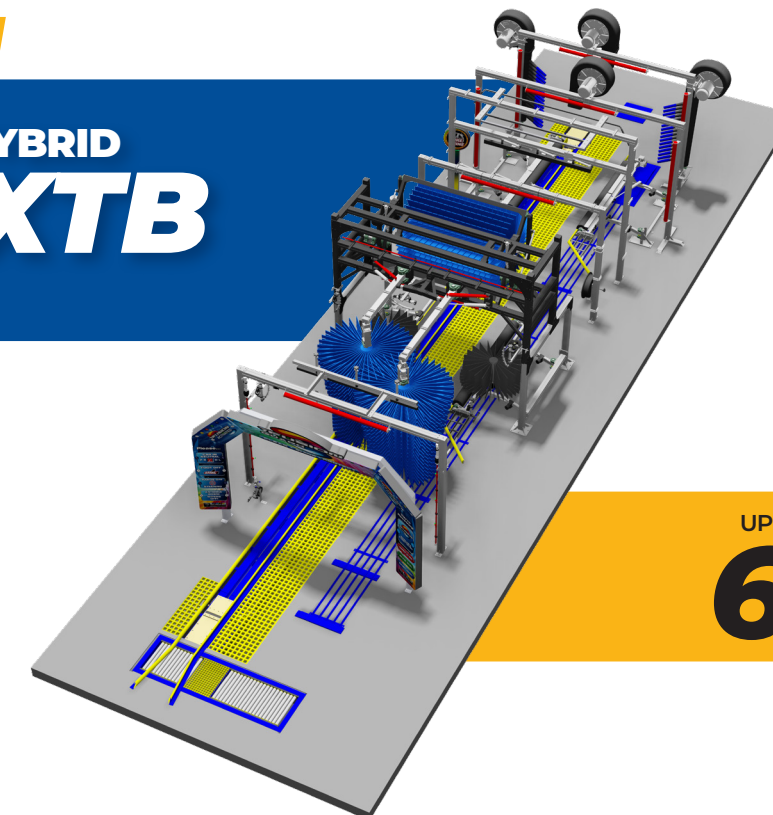
OVER-UNDER CONVEYOR FEATURES:

- 43ft Electric Front Wheel Pull Conveyor
- Grand Entrance Applicator Arch
- 7-Point Light-Touch Wash System
- Spinner High-Pressure Side Washers
- Tri-Color Foam Application System
- Foaminator MAXX Premium Wax Applicator
- Hi-Volume Rinse with Mirror Rinse
- 55-HP Drying System
- Tire Dressing Applicator

UP TO
**50 Cars
Per Hour**

Option 2

XTREME HYBRID 50-XTB



OVER-UNDER CONVEYOR FEATURES:

- 50ft Painted Front Wheel Pull
- Air Take-Up
- Electric Drive
- SC78 Chain
- Direct-Connect Rollers
- 8ft x 25in Correlator
- Banana Peel Guide Rails
- Fiberglass Grating
- Kickoff Plate
- Tracking Bars

UP TO
**60 Cars
Per Hour**



CROWN MART CASE STUDY

Location
ST. LOUIS, MO.

Business
C-STORE

Car Wash
CONVEYORIZED TUNNEL

Operational
5 YEARS

The Challenge

St. Louis-based Crown Mart has been a successful c-store operator for many years. They owned in-bay car washes at several of their locations and have watched their revenues decline over time. They were also aware they had not been able to capitalize on volume when demand was high. They wanted to address both these issues.

Solution

They decided to build a conveyORIZED tunnel at their next new location rather than the traditional in-bay. They also added an automated point of sale system coupled with a gated entry to sell washes, upgrades, and unlimited club plans.

Outcome

The principals of Crown Mart recognized the success of their first conveyor location and quickly moved to expand their car wash brand. Their second tunnel was a 46ft conversion of one of their existing locations. They have continued to build other new locations and are currently working on their 4th location this year. Next year, they are planning a standalone Express Exterior car wash—no C-Store or gas stand alone!

If you want to investigate car washing at the highest level and search for a company that is ready to support your business, you will find Sonny's. They operate at a higher level, and they are committed to our success! - Owner, Majed Abusaid.

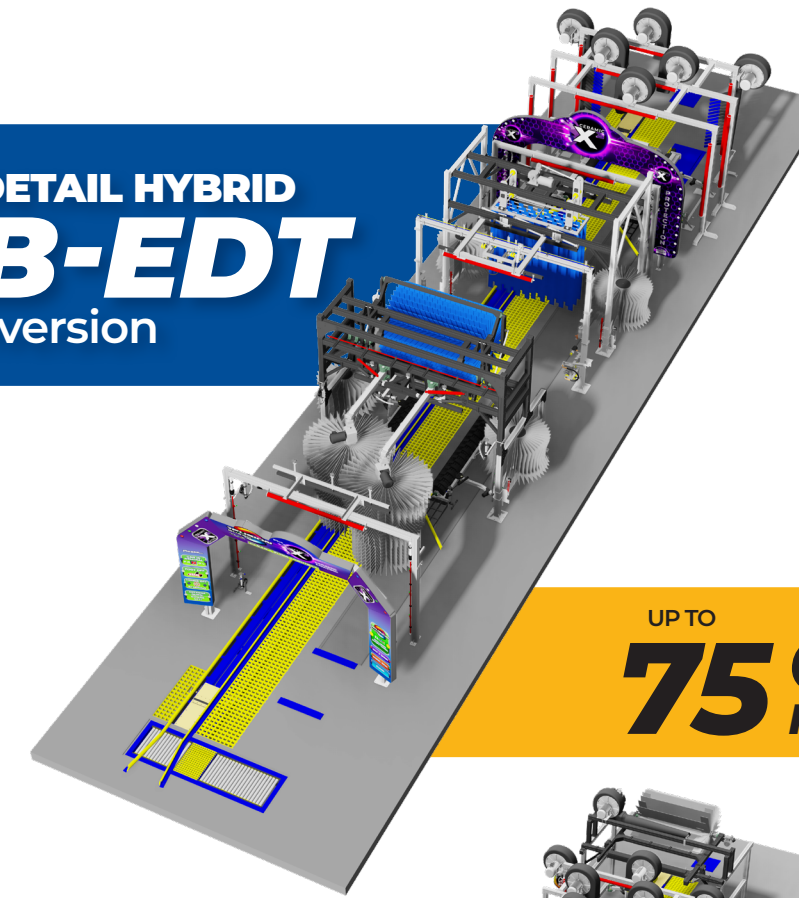


We felt we had a great opportunity within our marketing area to become the premium car washing provider. Our properties are ideally situated for our customer base. Our unlimited wash programs are providing convenience and consistency for our customers. Our 54ft Sonny's mini Extreme is washing 6 times more cars than our old rollover!

John A.
Manager, Crown Mart

Option 3

EXTERIOR DETAIL HYBRID **65TB-EDT** In-Bay Conversion



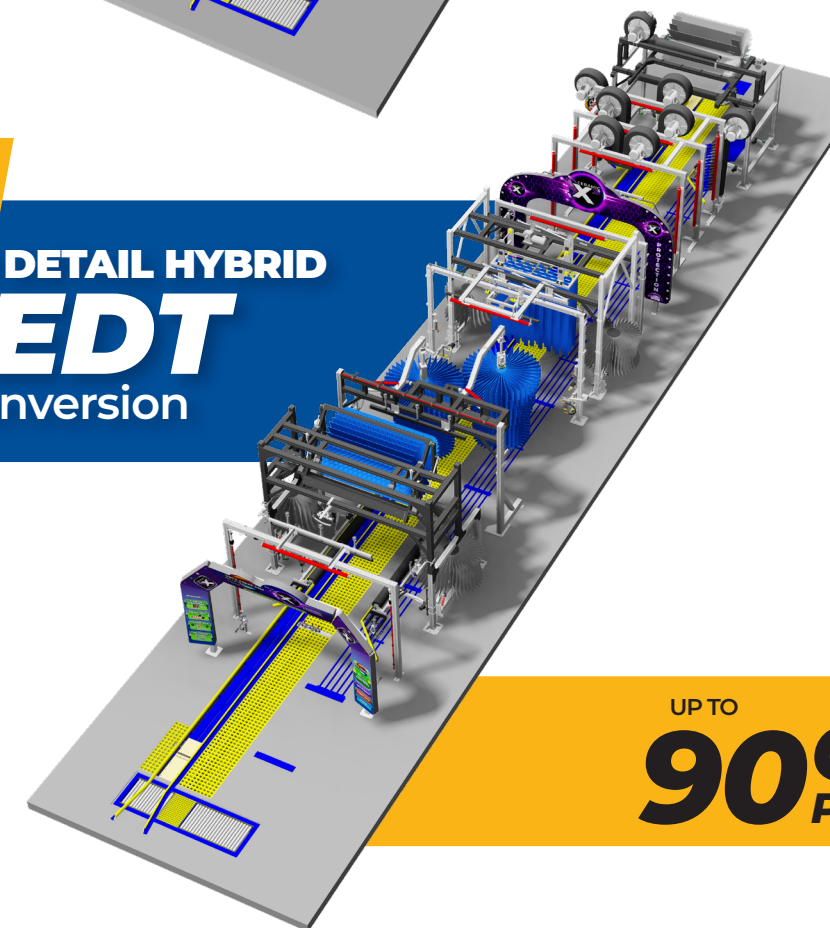
OVER-UNDER CONVEYOR FEATURES:

- 65ft Hydraulic Front Wheel Pull Conveyor
- Grand Entrance Applicator Arch
- 10-Point Light-Touch Wash System
- OMNI Top and Side High-Pressure Side Washers
- Tri-Color Foam Application System
- 6-Step Fusion Process Application System
- 3-Step Ceramic X³ Application System
- Hi-Volume Rinse with Mirror Rinse
- 90-HP Drying System
- Tire Dressing Applicator

UP TO
75 Cars
Per Hour

Option 4

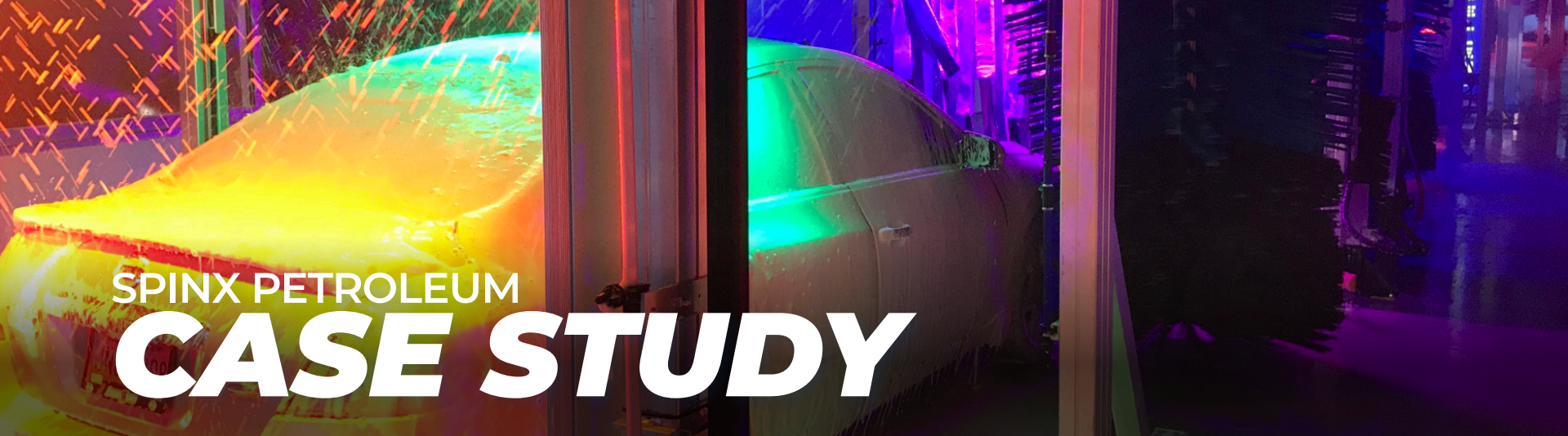
EXTERIOR DETAIL HYBRID **80-EDT** In-Bay Conversion



OVER-UNDER CONVEYOR FEATURES:

- 80ft Hydraulic Front Wheel Pull Conveyor
- Grand Entrance Applicator Arch
- 10-Point Light-Touch Wash System
- OMNI Top and Side High-Pressure Side Washers
- Tri-Color Foam Application System
- 6-Step Fusion Process Application System
- 3-Step Ceramic X³ Application System
- Hi-Volume Rinse with Mirror Rinse
- 105-HP Drying System
- Tire Dressing Applicator
- Buff-n-Dry Finishing System

UP TO
90 Cars
Per Hour



SPINX PETROLEUM CASE STUDY

Location
GREENVILLE, SC

Business
C-STORE

Car Wash
CONVEYORIZED TUNNEL

Operational
2017

The Challenge

With 81 Gas Station- C-Stores and 40 years experience in the Carolinas, founder and owner Stewart Spinx wanted to grow and diversify his business. Spinx is always seeking to improve services for his customers and community. Stewart and his Director of Merchandising, Brian Zeiger, both loved their automatic car wash business but they felt there may be something more to make of it. So they began to investigate the professional car washing industry.

Solution

Their research led them to Sonny's The CarWash Factory where they began to learn about the Express Exterior business model. The model's high-volume washing with minimal labor requirements fit their wishes. The executives really felt the monthly subscriptions and the proximity of their stores could bring great value and convenience to their customers!

While attending a Sonny's New Investor seminar and after a factory visit, they asked Sonny's New Business Development/ CarWash Consulting to conduct site analysis on over a dozen properties they held. Spinx evaluated whether these sites should be c-stores or potentially Express Exterior stand alone car wash businesses.

The Sonny's team and its distributor CarWash Services of the SouthEast analyzed the potential of the sites providing a business Pro forma for each, forecasting costs, revenues and profits. Spinx then organized the sites into what they felt would perform better as car wash sites as compared to gas station and c-store sites. Eight sites were selected for car washes. Due diligence, architectural and permitting procedures began at once!

Outcome

Today, Spinx has four Ride'N Shine Express wash locations up and running. The results are exceeding their expectations. Additional sites are in permitting phase or under construction. Several Spinx employees have attended Sonny's CarWash College for hands-on management, maintenance and repair classes.



We feel the brand leverage gained with the Ride'N Shine Express washes will spur additional sales of fuel and soft goods, driving our brand recognition.

Stewart Spinx
Founder & Owner, Spinx Petroleum

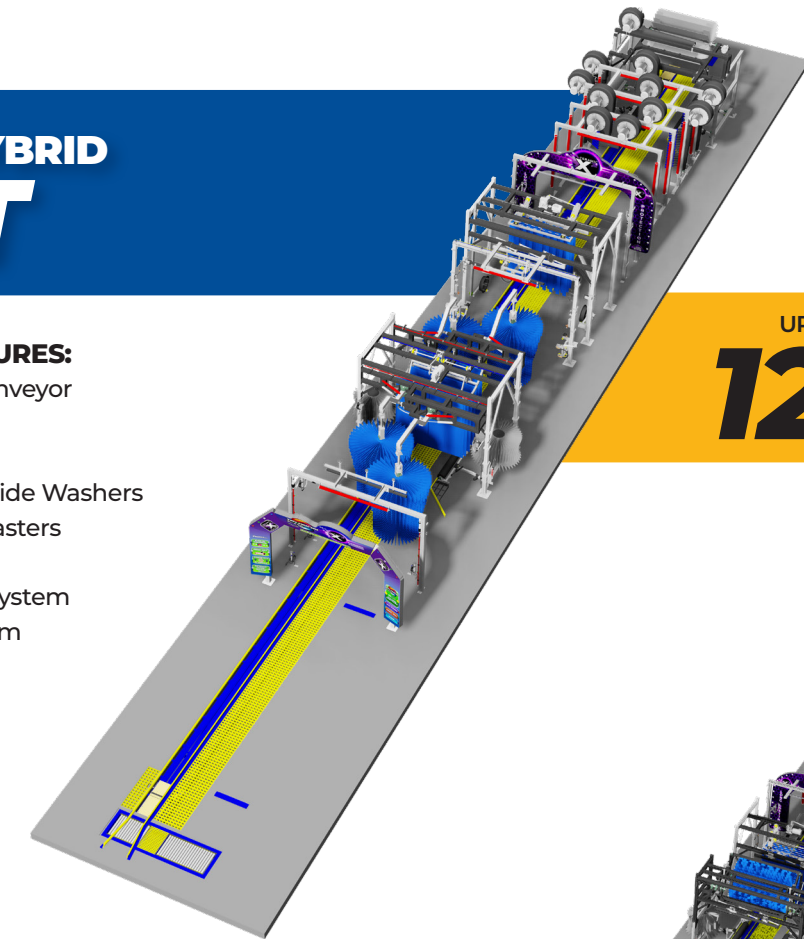
Option 5

EXTERIOR DETAIL HYBRID 110-EDT

OVER-UNDER CONVEYOR FEATURES:

- 110ft Hydraulic Rear Wheel Push Conveyor
- Grand Entrance Applicator Arch
- 10-Point Light-Touch Wash System
- OMNI Top and Side High-Pressure Side Washers
- Pendulum High-Pressure Wheel Blasters
- Tri-Color Foam Application System
- 6-Step Fusion Process Application System
- 3-Step Ceramic X³ Application System
- Hi-Volume Rinse with Mirror Rinse
- 150-HP Drying System
- Tire Dressing Applicator
- Buff-n-Dry Finishing System

UP TO
**125 Cars
Per Hour!**



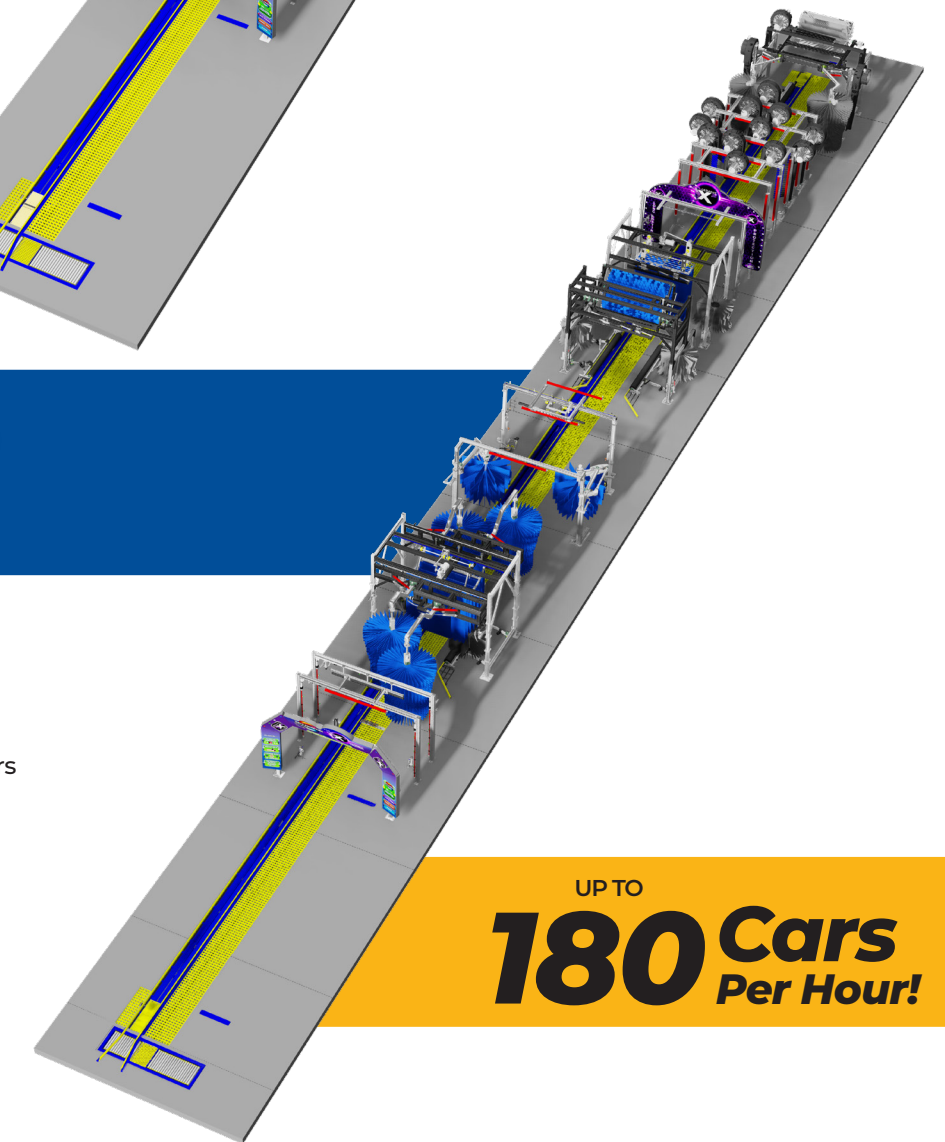
Option 6

EXTERIOR DETAIL HYBRID 160-EDT

OVER-UNDER CONVEYOR FEATURES:

- 160ft Hydraulic Rear Wheel Push Conveyor
- Grand Entrance Applicator Arch
- 18-Point Light-Touch Wash System
- OMNI Top and Side High-Pressure Side Washers
- Tri-Color Foam Application System
- 6-Step Fusion Process Application System
- 3-Step Ceramic X³ Application System
- Hi-Volume Rinse with Mirror Rinse
- 195-HP Drying System
- Tire Dressing Applicator
- 3-Point Buff-n-Dry Finishing System

UP TO
**180 Cars
Per Hour!**





GATE EXPRESS CARWASH CASE STUDY

 Location
JACKSONVILLE, FL.

 Business
PETROLEUM

 Car Wash
EXPRESS TUNNEL

 Operational
2017

Challenge

Founded in 1960 by Herbert H. Peyton, Gate Petroleum Company is a heavily-diversified company headquartered in Jacksonville, FL. Gate operates within a variety of industries including retail convenience stores, car washes, fleet and fuel services, real estate, hospitality and construction materials.

In late 2016, after years of operating a number of in-bay car washes at convenience stores throughout Florida, Gate announced the introduction of Gate Express Carwash, a new business unit for the company that builds and operates freestanding, express tunnel car washes throughout Northeast Florida.

The Gate Express Carwash locations feature a 125 to 145-foot Sonny's tunnel system and state-of-the-art technology that provides a top-quality car wash in under three minutes. The tunnel accommodates between five and seven automobiles at a time that are moved through the wash along a conveyor system. Once the Gate Express Carwash is finished, drivers have the option to pull their vehicles into one of the numerous vacuum stalls and utilize the free vacuums.

Solution

As Gate began the development of its new car wash business, it selected Florida CarWash Services and Sonny's as its strategic partners. While Gate had previous experience operating in-bay car

washes, Florida CarWash Services and Sonny's provided valuable insight and guidance in areas ranging from site evaluation and pro forma analysis to equipment selection and marketing support. The support from its partners allowed Gate Express Carwash to quickly ramp up operations.

Outcome

Less than three years since announcing the formation of the car wash business, Gate Express Carwash already has ten facilities operational and three scheduled to open. In addition, the company has 15 sites in development throughout Northeast Florida.



The team at Sonny's has been a tremendous resource as we moved our car wash operations from an ancillary service at our convenience stores to a primary business. They have been with us each step of the way, helping to make sure we are making strategic, cost-effective decisions at every step in the process.

Hill Peyton
President, Gate Express Carwash

MAKE CARWASHING EASY

OPTIONS & ADDITIONS



Vacuum Stations

Free vacuums are a huge customer draw at any Express Wash, or they can be used by your employees to quickly and conveniently vacuum cars. Available as either a central vacuum system allowing for multiple stations on one vacuum; or individual stations, Sonny's will configure a system that will work for you.



Clean Water

Utilizing a Reverse Osmosis System (RO) to remove the minerals and deposits from city water will leave your cars shiny! Any residual water that is left on the vehicle, or runs out of a crevice, will not leave spots, thus reducing the need for towel drying.



Water Reclaim

Water is a precious, limited resource that can be very expensive in many areas. Conserve and recycle up to 90% of your total water usage with Sonny's Reclaim System – reducing your water bill by up to 90%.



Automated Pay Station & License Plate Recognition

Sonny's Automated Pay Stations give you the convenience, security and innovation to improve your throughput and monitor your cash without needing an employee. Multiple options are available to process club plans and fleet accounts with options to upgrade for additional revenue.



Car Wash Business Point-of-Sale

Sonny's POS is a full-featured Point-of-Sale System that helps you grow your car wash business. Designed exclusively for the car wash industry, this system helps you control your cash and employees and also provides loyalty and discount programs to keep your customers coming back.



Tire Shine

Increase customer satisfaction and revenue while reducing labor and chemical costs on tire dressing with Sonny's Tire Seal Machine.



The Fusion Process™

The key to retaining customers and maintaining a premium average ticket requires a noticeable difference in the quality of the vehicle. The Fusion Process™ is the industry's first integrated combination of chemistry and equipment designed to create a long lasting shine that brings customers back again and again.



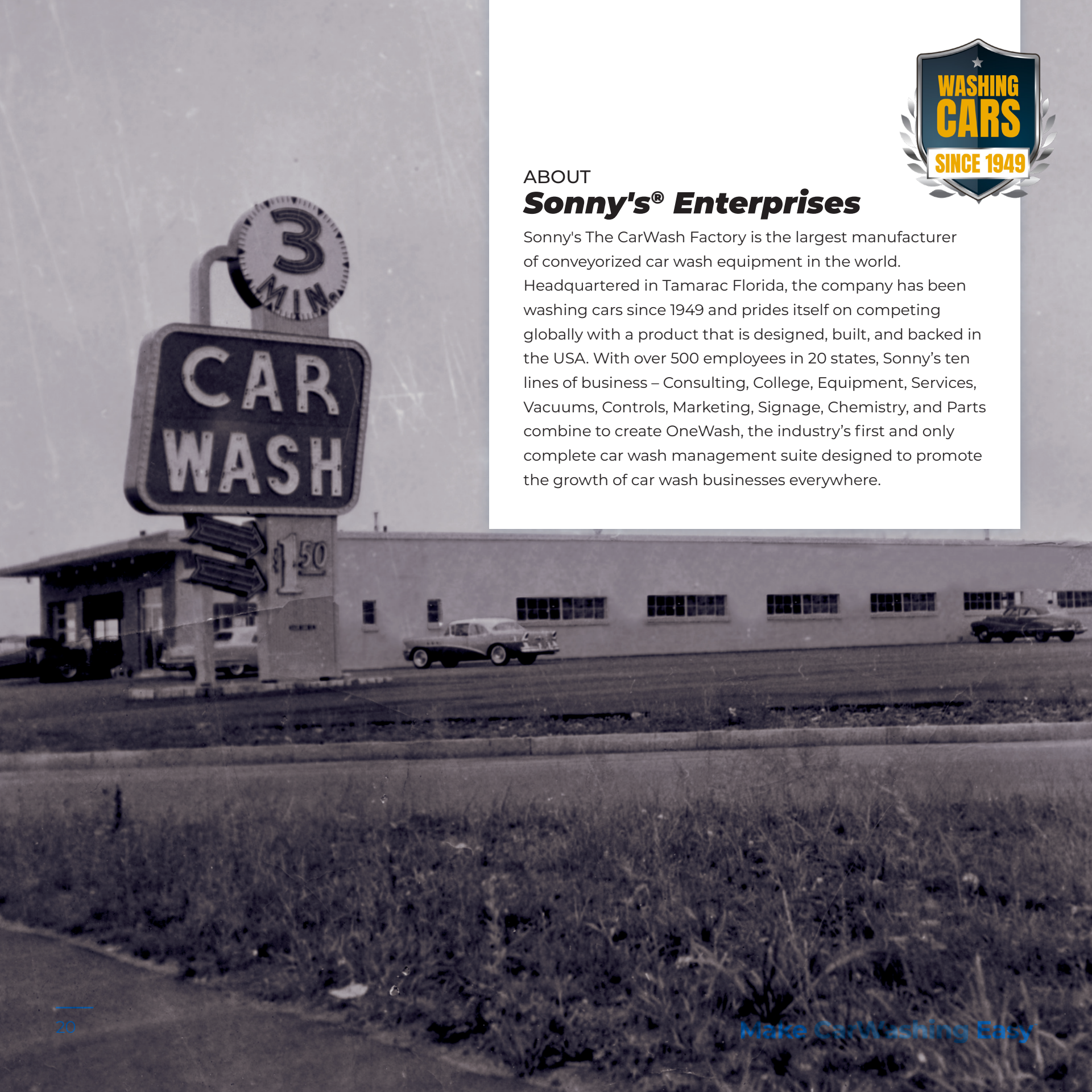
Custom Signage

Sonny's CarWash Signage helps you increase your ticket average and earn repeat business with engaging designs that compel customers to purchase your top package. Deploy multiple menus across sites to maximize seasonal and other promotions with our managed digital solutions.



Ceramic X³

Sonny's Ceramic X³™ delivers the satisfying water repellency customers crave – with long-lasting protection and shine – to keep them coming back month after month. Give customers a compelling reason to choose your top wash package.



ABOUT
Sonny's® Enterprises

Sonny's The CarWash Factory is the largest manufacturer of conveyerized car wash equipment in the world. Headquartered in Tamarac Florida, the company has been washing cars since 1949 and prides itself on competing globally with a product that is designed, built, and backed in the USA. With over 500 employees in 20 states, Sonny's ten lines of business – Consulting, College, Equipment, Services, Vacuums, Controls, Marketing, Signage, Chemistry, and Parts combine to create OneWash, the industry's first and only complete car wash management suite designed to promote the growth of car wash businesses everywhere.



Make CarWashing Easy

<p>Consulting</p> <p>INVEST WITH CONFIDENCE</p> <p>Expert guidance to help you go from breaking ground to ground-breaking performance.</p>	<p>College</p> <p>MASTER YOUR TRADE</p> <p>Comprehensive hands-on training to plan, manage, maintain and grow your business.</p>	<p>Equipment</p> <p>WASH MORE CARS</p> <p>Trusted leadership from the world's largest manufacturer of conveyerized car wash equipment.</p>	<p>Services</p> <p>LEVERAGE LOCAL SUPPORT</p> <p>Local installation, service and support to build and operate your business.</p>	<p>Vacuums</p> <p>MAXIMIZE CUSTOMER EXPERIENCE</p> <p>The industry's best-selling central vacuum with professional grade durability to maximize uptime.</p>
<p>Controls</p> <p>DRIVE BUSINESS FORWARD</p> <p>Complete business management technology to deliver efficiency and profitability across your locations.</p>	<p>Marketing</p> <p>WIN EVERY CUSTOMER</p> <p>Marketing consultation, design and campaign management to attract, upsell and retain customers onsite and online.</p>	<p>Signage</p> <p>INCREASE YOUR TICKET</p> <p>Custom branded signage and lighting to create a value proposition and onsite experience that dominates.</p>	<p>Chemistry</p> <p>MAKE CARS SHINE</p> <p>The most convenient and accurate way to deliver a clean, dry and shiny car.</p>	<p>Parts</p> <p>KEEP ON WASHING</p> <p>12,000 parts in stock for immediate delivery to support your business with inventory for every OEM.</p>

www.SonnysDirect.com | 1.800.327.8723

ONE MEMBERSHIP. MULTIPLE BENEFITS.

SAVE MONEY NOW

Sonny's makes it simple to manage and grow your car wash business by combining everything you need into one membership program with meaningful benefits and savings. We provide you with the support necessary to make a difference for your business—regardless of how much you buy from us.

Join Sonny's
OneWash ✓
 and **Save**

Exclusive Member Benefits



✓ **FREE CarWash College Courses**

Hands-on training to plan, manage, and grow your business.
 \$1,095 Value (per student/per class)



✓ **FREE Shipping**

Ground freight, LTL & up to 1 truckload is free for all purchases.
 Expedited shipments are 25% OFF.

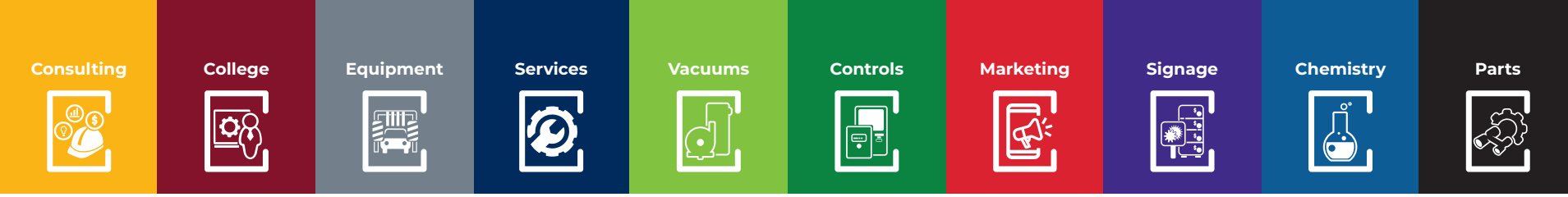


✓ **FREE SYNC Marketing Setup**

Get found on "near me" searches.
 Manage your reviews and reputation.
 \$500 Value

Membership Price \$999

Learn More at:
www.SonnysDirect.com/onewash



Top 10 Reasons

More Conveyerized Car Wash Operators Choose Sonny's Than Any Other Manufacturer in the World!

1 We Really Are #1

Sonny's has been washing cars for over 60 years and has more than 850 years of retail car wash operations experience in our network. We use this knowledge and unique experience to help drive your business forward.

2 The Car Wash Experts

Sonny's has been washing cars since 1949 and sells more tunnel equipment than anyone in the world with a product proudly designed, built, and backed in the USA. We are true manufacturers, not just an assembly house, which allows us to be instantly market responsive with new product innovations, better equipment quality, and faster delivery.

3 In Stock for Immediate Delivery

Sonny's stocks over 12,000 parts with \$12 million in inventory ready for delivery. Inventoried parts orders in by 6PM EST are shipped the same day.

4 World Class Installation & Support

Sonny's industry leading network of Select Service Organizations (SSO's) is there to support your project every step of the way. Our distribution team has the experience and infrastructure to help you succeed.

5 Hands-On Training

Sonny's CarWash College offers the industry's only on going hands-on training, to plan, manage, and grow your business. We deliver the classes that teach you how to manage your wash, maintain your equipment properly, and make any necessary repairs.

6 Financial Strength & Security

Sonny's is repeatedly recognized with Dun & Bradstreet's strongest financial rating, confirming that we'll be here to support you for generations to come.

7 State-of-the-Art Controls

Sonny's CarWash Controls delivers efficiency and profitability across all your locations. Detailed dashboard reporting allows you to access information about your wash anytime, anywhere to make real-time cost saving and revenue generating decisions.

8 In-House CAD Team

Sonny's CAD Team has designed more car washes than anyone in the world, and applies that knowledge to maximize your property's revenue potential. Each tunnel system includes over 65 pages of site-specific drawings to reduce costly construction issues and delays.

9 Straight-Forward Design & Pricing

Sonny's equipment designs utilize open architecture – no proprietary parts. Our durable frames carry the industry's only Lifetime Warranty, and our equipment pricing is published on the web and in our catalog so you can buy with confidence.

10 The Complete Car Wash Solution

To deliver top value and improve your bottom line, you need a complete suite of car wash business solutions. Sonny's OneWash™ gives you the tools required to simplify your operations and return your focus to what matters most – your success.



Make CarWashing Easy



Consulting



College



Equipment



Services



Vacuums



Controls



Marketing



Signage



Chemistry



Parts



www.SonnysDirect.com | Call 1.800.327.8723

Make CarWashing Easy