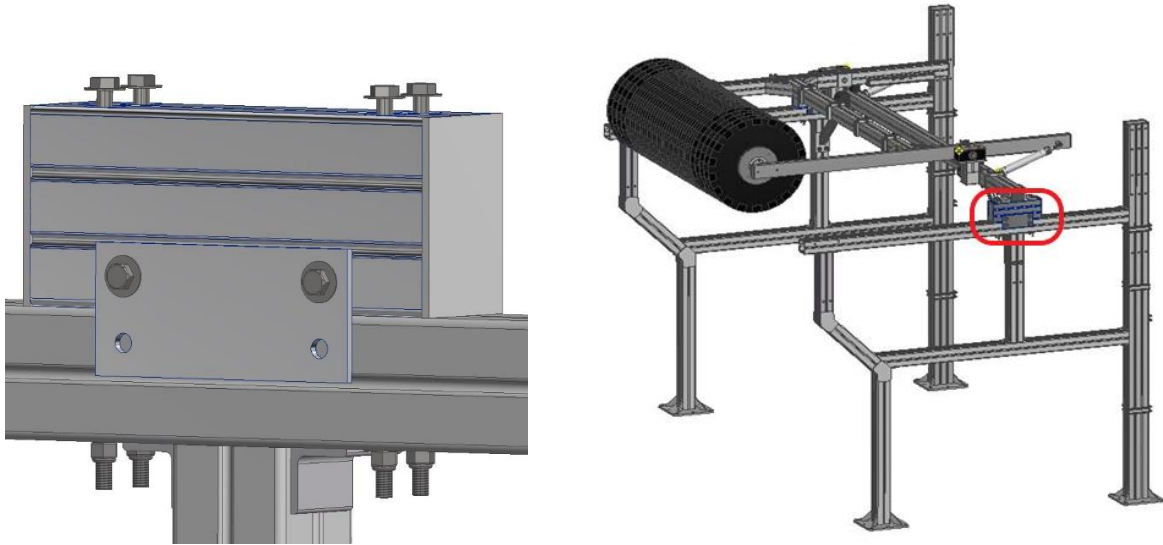




Buff-n-Dry Riser Kit



Installation Instructions

Sonny's Enterprises, LLC.
5605 Hiatus Road
Tamarac, Florida 33321

Table of Contents

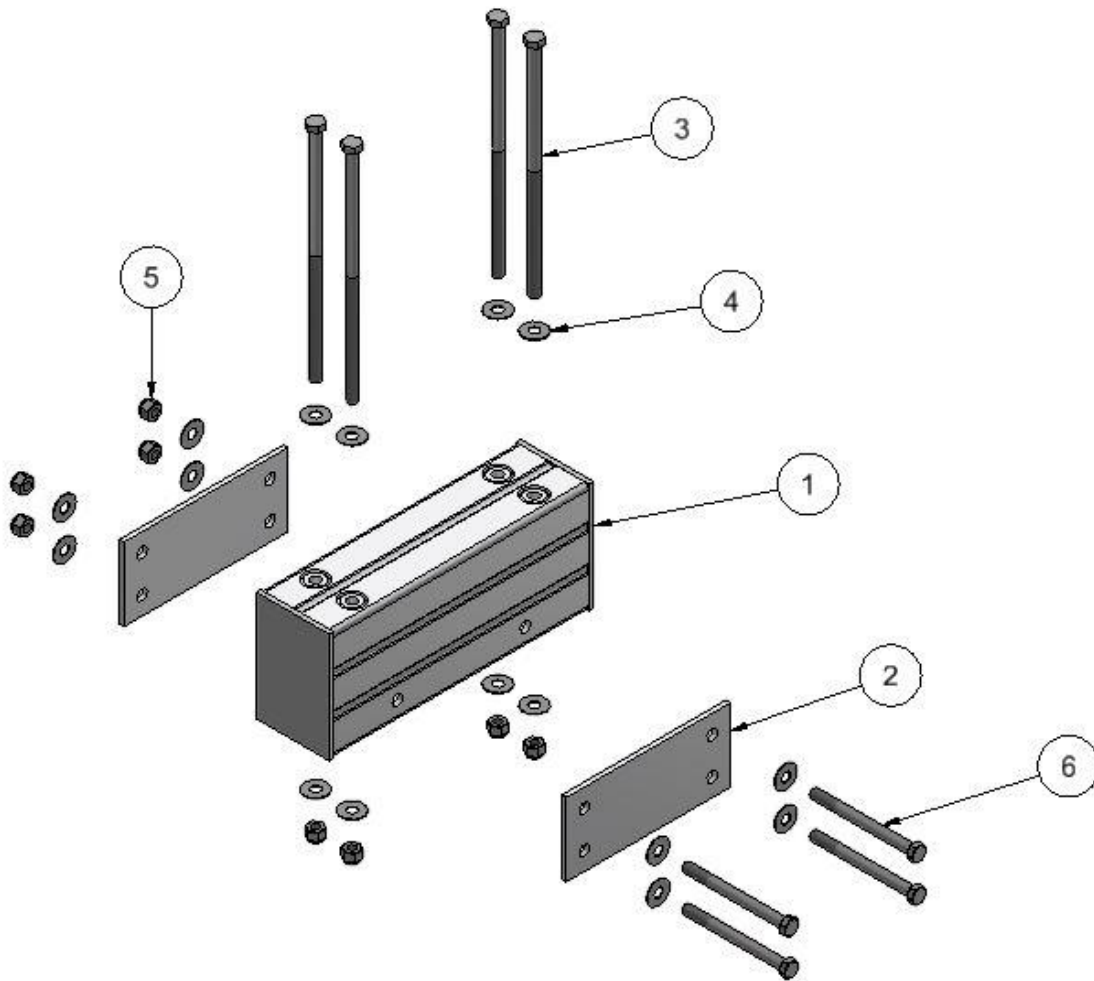
Buff-n-Dry Riser Kit.....	3
Parts List.....	3
Installation	4

Buff-n-Dry Riser Kit

When it is fully retracted, the Buff-n-Dry material may still be touching the tops of taller vehicles, which can cause the material to retain water. Depending on your business volume and the number of taller vehicles that you are washing, operators may choose to raise their Buff-n-Dry machine.

The Buff-n-Dry Riser Kit provides an **additional six inches of clearance**, which will help to keep the Buff-n-Dry material dryer, even if you are washing a larger number of taller vehicles.

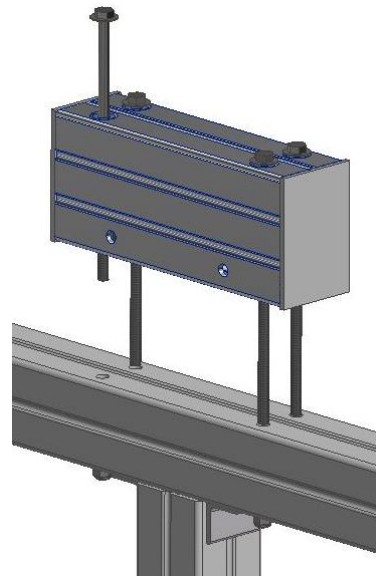
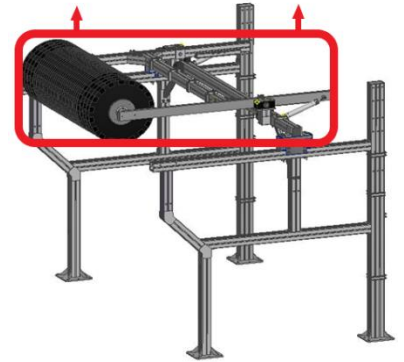
Parts List



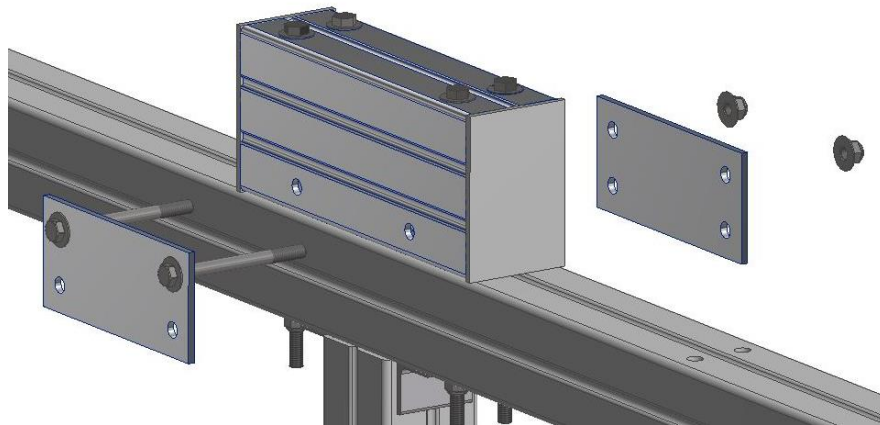
PARTS LIST				
ITEM	QTY	PART NUMBER	DESCRIPTION	MATERIAL
1	1	20018642	BnD Brush Arm Riser Weldment	
2	2	20018709	BnD Brush Riser Clamp Plate	21414 - " - 1/4 X 4 FLAT BAR 6061 T6
3	4	10013461	Bolt, Hex 1/2-13 x 12" Length SS	Stainless Steel
4	16	10002957	Washer, Flat USS 1/2in 50NWUSS	Stainless Steel
5	8	10004704	Nut, Hex Nylon-Lock 1/2-13" SS 50CNNES	Stainless Steel
6	4	10006408	Bolt, Hex 1/2-13 x 5-1/2 SS 50C550HCSS	Stainless Steel

Installation

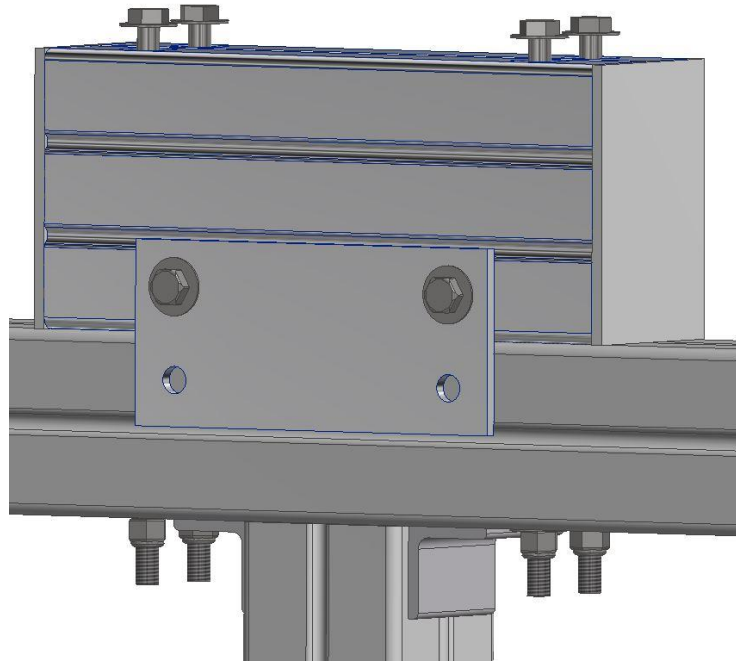
1. Remove the Buff-n-Dry brush assembly from the frame. The brush assembly must be removed in order to be able to install the risers. If this is a new installation, proceed with assembly as shown in the following steps.
2. With Buff-n-Dry brush removed, place risers onto the horizontal part of the frame above the center vertical posts and keep them in place using the provided **12" long bolts** (the bolts should not be tightened yet).



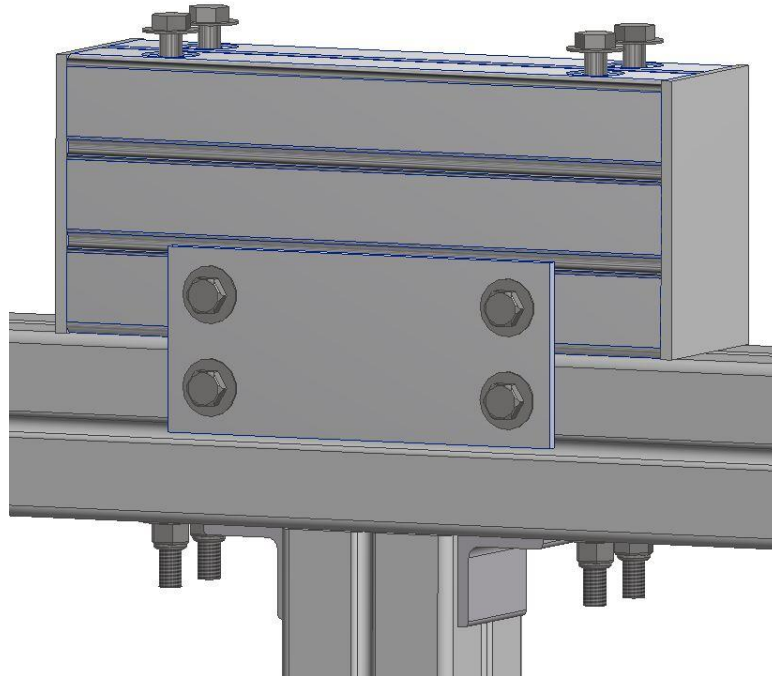
3. Use horizontal holes in risers to locate the clamp plates with two sets of the provided **5.5" bolts** (along with washers and nuts) in the top two holes of the clamp plates. These bolts and nuts should be tightened down snug and then **turned a ¼ turn to fully tighten them**, and the **12" bolts should be temporarily tightened down now to prevent anything from moving in the next step**. Repeat on opposite side.



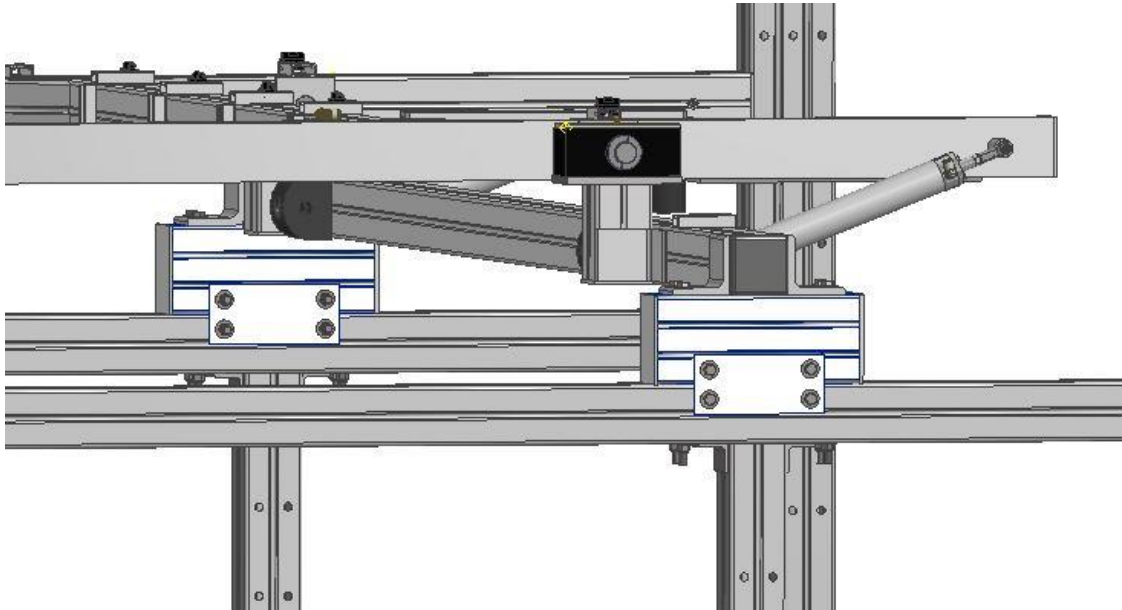
4. Use the bottom two holes of the clamp plates as guides for drilling the required holes (if the holes are not already present). The final drill size is **9/16 to 19/32**. Drill through both sides of frame tubing. Repeat on the opposite side.



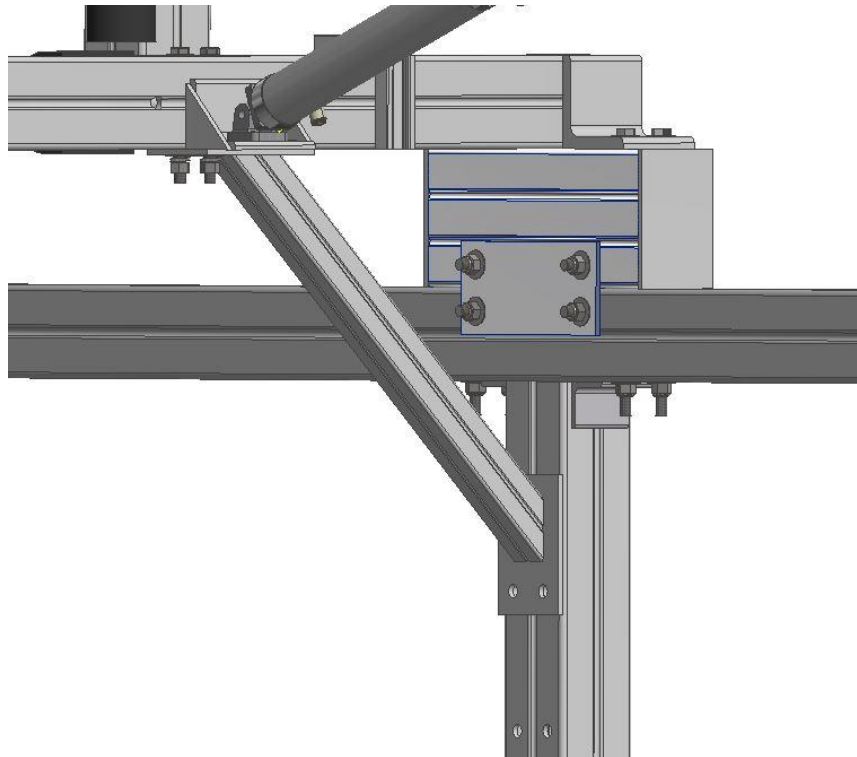
5. With the holes drilled, use two sets of the provided **5.5" bolts** with corresponding washers and nuts to tighten the clamp plates to the beam. Repeat on the opposite side.



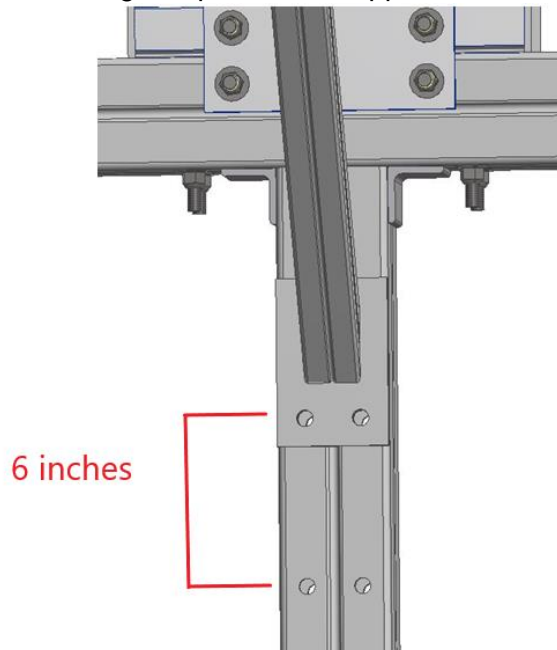
6. With the clamp plates secure, remove the **12"** bolts and install the Buff-n-Dry brush assembly onto the risers. Use the **12"** bolts along with the washers and nuts to tighten the brush assembly to the frame and risers.



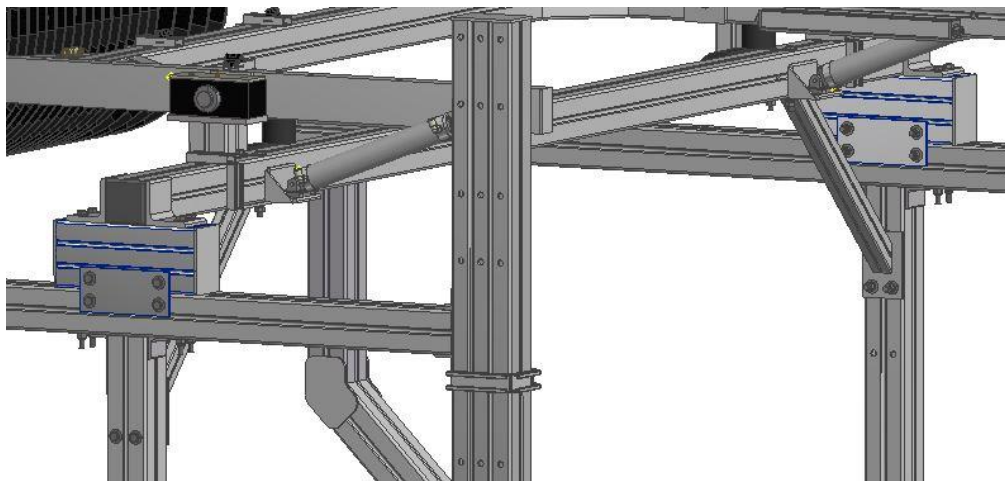
7. Use two sets of the provided **5.5"** bolts with washers and nuts to tighten the braces to the brush assembly. The braces' other ends should be flat against the vertical posts of the frame legs. Repeat on the opposite side.



8. Measure and mark **6 inches** up from the existing holes, then use the holes in the brace as a drill guide for the new holes. (This will ensure that the frame remains square.) The drill size is **9/16 to 19/32**. Drill through both sides of frame tubing. Repeat on the opposite side.



9. With the new holes drilled, use the remaining **4 sets of 5.5" bolts** along with washers and nuts to tighten the bottoms of the braces to the frames.



With the braces installed in the new locations, the risers are fully installed.

WARRANTY

Sonny's Enterprises, Inc. FACTORY LIMITED LIFETIME WARRANTY

Equipment manufactured by Sonny's Enterprises, Inc. is warranted to be free from defect in material and workmanship. Welded metal framework and other non-moving, non-wearable fabricated metal components manufactured by Sonny's are warranted for the life of the equipment to the original purchaser. Fabricated metal wearable surface and moving components manufactured by Sonny's are warranted for a period of one (1) year to the original purchaser of the equipment.

All components assembled to Sonny's equipment that are manufactured by others are warranted by the appropriate manufacturer and subject to that manufacturer's limited warranty. Contact Sonny's for the specific information on other component manufacturer's warranty terms

This warranty is not assignable or transferable. The warranty period begins the first day following installation or 30 days from the original invoice date, whichever occurs first. The Seller's liability shall be limited to repair or replacement of materials found to be defective within the warranty period. In the event of repair or replacement this limited warranty is noncumulative. The Purchaser must supply the Seller with immediate written notice when any defects are found. The Seller shall have the option of requiring the return of defective material to establish the Purchaser's claim. Neither labor nor transportation charges are included in this warranty. Transportation damage claims are to be submitted to the carrier of the damaged materials.

This warranty is based upon the Purchaser's reasonable care and maintenance of the warranted equipment. It does not apply to any equipment which has been subject to misuse, including neglect, accident or exposure to harsh chemicals, including but not limited to Hydrofluoric Acid • Ammonium Bifluoride • Bromic Acid • Muriatic Acid • Sulfonic Acid • Phosphoric Acid • Hydrogen Cyanide • Hydrochloric Acid • Chlorinated Solvents . Nor does it apply to any equipment which has been repaired or altered by anyone not so authorized by Sonny's. Further, the equipment must be properly installed with proper accuracy of all specified plumbing, electrical, and mechanical requirements. This warranty does not apply to normal wear and tear or routine maintenance components.

Except as expressly stated herein, Sonny's shall not be liable for damages of any kind in connection with the purchase, maintenance, or use of this equipment including loss of profits and all claims for consequential damages. The limited warranty expressed herein is in lieu of all other warranties expressed or implied. Sonny's neither assumes nor authorizes any person to assume for it any other obligation or liability in connection herewith.

CUSTOMER SERVICE

Please contact Sonny's Equipment Department for installation and/or operational questions regarding this piece of equipment.

Please refer to the Parts list in this manual or our Parts Catalog and contact Sonny's Customer Service Order Entry Department for any replacement parts for this piece of equipment.

For Equipment Repairs please visit the web at www.sonnysdirect.com.

DEPARTMENT	PHONE NUMBERS	FAX NUMBERS
Toll Free Main Line	800-327-8723	800-495-4049
Equipment Department	954-720-4100	954-720-9292

Or you can email Sales at sales@sonnysdirect.com

Thank you for being a Sonny's car wash equipment owner!

From all of us here at

