



Front Grill Brush

SF50 (2009 - Built without Pillow Block Hanger Arm Bearings)



Owner's Manual

Sonny's Enterprises LLC
5605 Hiatus Road
Tamarac, Florida 33321



Table of Contents

WARNING *SAFETY REQUIREMENTS* WARNING	3
INTRODUCTION	5
Product Specifications	6
INSTALLATION	9
Utilities Requirements	9
Dimensions.....	10
Insert Patterns 36 Slot Hub 10" Diameter	15
Sonny's NeoGlide Installation	17
Equipment Installation.....	18
Front Grill Brush Installation	18
Adjustments and Testing	20
GENERAL OPERATION	21
PREVENTIVE MAINTENANCE	22
PARTS	23
WARRANTY	25
CUSTOMER SERVICE	26

Sonny's and Sonny's The CarWash Factory are Registered trademarks of Sonny's Enterprises LLC
Make CarWashing Easy and OneWash are trademarks of Sonny's Enterprises LLC
Designed here. **Built** here. **Backed** here. is a trademark of Sonny's Enterprises LLC
Products mentioned herein are for identification purposes only and may be registered trademarks of their respective companies.
All other brand names, trademarks or registered trademarks are the property of their respective owners.



WARNING *SAFETY REQUIREMENTS* WARNING

1. All employees must be thoroughly trained in safe operation and standard maintenance practices. All employees must review this entire manual monthly.
2. Do not enter the wash tunnel when the equipment is operating. Death or dismemberment may occur.
3. Do not wear loose fitting clothing or jewelry around moving equipment. Do not allow any part of your body or other objects (including ladders, hoses, or tools) to come in contact with moving equipment. Entanglement may result causing death or dismemberment.
4. Do not leave a ladder or any other items such as wash down hoses or tools in the wash tunnel while equipment is running. Vehicle damage and injury, including death, can occur.
5. Always exercise caution when walking (never run) through the wash tunnel as there may be slippery conditions. Be careful so you do not bump into or trip over equipment.
6. Only those employees specifically instructed and trained by the location management are permitted to enter the wash tunnel to perform inspections or maintenance. At least two qualified maintenance people must be present when performing equipment repairs or preventive maintenance.
7. Do not perform any maintenance or work on equipment unless you first perform Lock-Out Safety Precautions. All electrically powered equipment must have manually operated disconnects capable of being locked in the "OFF" position. Equipment that has been "locked out" for any reason must be restarted only by the person who performed the "lock out" operation.
8. When working on any equipment that is higher than your shoulders, always use a fiberglass ladder that is in good condition.
9. Do not attempt to repair or adjust any pressurized liquid or pneumatic part, hose, pipe or fitting while that equipment is in operation.
10. Electrical connections and repairs must be performed by a Licensed Electrician Only.
11. Emergency "STOP" buttons must be well marked and their location and proper use reviewed with all personnel. Any activated "STOP" button must be reset only by the person who activated it. Clear the wash tunnel of any people, ladders, hoses, tools, and other loose items before restarting the equipment. An audible device must sound to warn people that the equipment is starting.
12. Do not operate any piece of equipment that requires safety covers with those covers removed or improperly installed. Do not operate any piece of equipment if any component of that piece is suspected to be defective or malfunctioning.



Owner's Manual Front Grill Brush - SF50

13. Store all cleaning and washing solutions and oils in a well-ventilated area. Clean up fluid spills immediately to prevent hazardous safety conditions. Be certain to follow all safety procedures on SDS Sheets for each chemical product used.
14. All hydraulic and electric systems in the wash tunnel equipped with a torque relief or overload should be checked and set at the minimum amount that will allow for proper functionality under normal washing conditions.
15. No unauthorized people should ever be permitted in the wash tunnel or near the equipment at any time.

* * *

!! CAUTION !!

When a piece of equipment must be in operation during inspection or maintenance, one qualified technician must stay at the power disconnect switch while another qualified technician performs the inspection or maintenance.



INTRODUCTION

This Manual contains information that is vital to the successful installation, operation and maintenance of your SONNY'S vehicle washing equipment.

Please read, and understand, the full contents of this manual before installation and operation of the equipment. Keep this booklet in a location where it may be used for ongoing reference.

Should you have any questions on the operation or servicing of this equipment please contact:

TECHNICAL SERVICES DEPT.
SONNY'S ENTERPRISES INC.

5605 Hiatus Road

TAMARAC, FLORIDA 33321

TELEPHONE: 800-327-8723 FAX: 800-495-4049

THANK YOU FOR YOUR CONFIDENCE IN SONNY'S !!!!





Product Specifications

- Frame and legs constructed from aluminum or stainless steel
- Includes NEOGLIDE material
- Brush angled for smooth operation around large trucks and SUVs
- Double roller bearings
- Unique three hub design 12", 10", 6"
- Hydraulic brush drive motors use 4GPM @ 800PSI
- Shock absorber and air control
- 133" of tunnel length required
- 90" vehicle clearance



Problem:

You need to eliminate the expense and time to pre-wash grills, license plates, and headlights to remove bugs and other caked on road grime.

Solved:

SONNY'S Grill Brush is like two washers in one. It follows and cleans the complete front of the vehicle safely, before washing side surfaces like a standard 50in brush. The grill brushes are gentle and cannot bend license plates since they rotate "at" the vehicle in the opposite rotation of the available Wrap-Around Washers. They provide the necessary strength to clean with absolutely no prepping.

- Durable QuadX aluminum legs
- Includes water manifold
- Adjustable shock absorbers for accurate pressure and material penetration
- Hollow steel shaft end provides solid motor coupling
- Torque-channel design increases motor life
- Includes full retract capability
- Includes pre-plumbed cross-over arch
- Shown with optional powder coating



Adjustable bearing and arm mount.



Pivoting hose mounting bracket eliminates chafing and extends hose life.



Optional pre-plumbed cross-over arch for cleaner, faster installation.

Specifications

	Inches	Metric
Footprint Length	125in	3.17m
Footprint Width	144in	3.65m
Unit Height	142in	3.60m
Vehicle Clearance	90in	2.28m
Water Inlet	1/2in	13mm
Hydraulic Option	4GPM Per Motor	
Electric Option	1HP 3-Phase 208-460V per Motor	

Hub Configuration

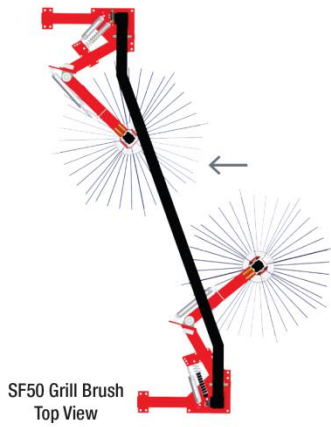
	Inch	Metric
Top Hub	6in	152mm
Middle Hub	10in	254mm
Bottom Hub	12in	305mm
Top Hub Slots	28 slots	
Middle Hub Slots	36 slots	
Bottom Hub Slots	44 slots	



Electric or Hydraulic Drive to Meet Your Requirements



LifeTime Limited Weldment Warranty for Generations to Come



SF50 Light Touch Front Grill Brush

Includes:

- All water solenoids
- Drive motor selected
- DS/PS free-standing brushes
- Full Retract

Requires:

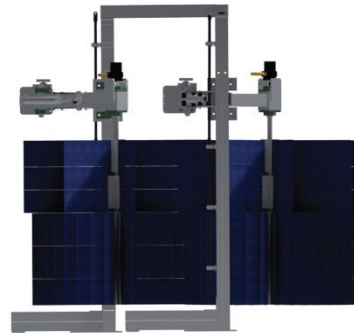
- Motor controls or hydraulic power pack depending on drive selection

Optional:

- Powder coating (as shown)



Protect & beautify your equipment with optional powder coating. Call for pricing.



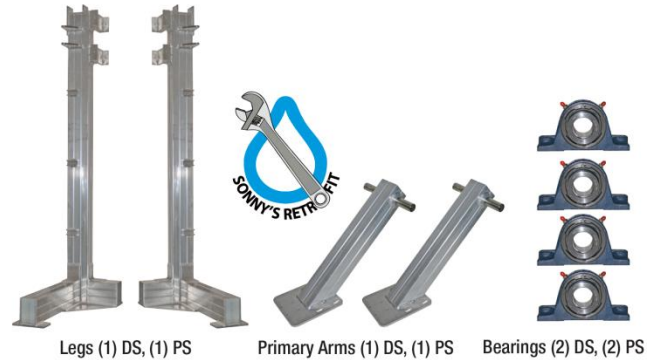
SF50 Grill Brush
Side View



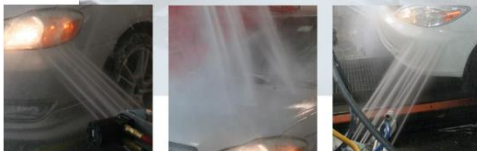
For in-depth information about this product, watch video at www.sonnysdirect.com

SF50 Front Grill Brush Retrofit Kit

This conversion kit comes with four double roller bearings and redesigned primary arms and legs to update your existing Grill Brush to SONNY'S latest design for more effective and gentler cleaning on the front of vehicles.



Remove Dirt With Pinpoint Accuracy



Complement your Grill Brush with
OMNI High Pressure Cleaning





INSTALLATION

Utilities Requirements

UTILITIES INTERCONNECTION AND THE MATERIALS REQUIRED FOR INTERCONNECTION TO SONNY'S EQUIPMENT ARE THE RESPONSIBILITY OF THE CUSTOMER !

PERFORM ALL TRADES WORK TO ALL APPLICABLE LOCAL AND NATIONAL CODES !

Water

- The Customer's Plumber is to provide and install a 1/2 inch city water line @ 60PSI (nominal) to the solenoid valve on the chemical distribution system for the Washer.

Electrical

- The Customer's Electrician is to provide and install single phase power from the (24 or 110VAC as determined at time of order) from the Customer's Controller system to the liquid solenoid valve for the brush spray bars and, if required, the motor starter coil for the hydraulic power pack feeding the two brushes and any pump motor for the chemical distribution system.
- Where applicable, the Customer's Electrician is to provide materials and install 208VAC or 230VAC or 460VAC, 3-phase, 60Hz power to the electric motor on the hydraulic power pack or VFD panel from a properly sized three pole circuit breaker and motor starter with three thermal overloads.

Optional Retract Kit Requirements

Electrical

- The Customer's Electrician is to provide and install single phase power from the remote push-button station through the tunnel equipment programmer to the supplied air solenoid valve on the Air Distribution Manifold for retract of both washers upon selective signal (See Figure #6 in Dimensions Section).

Compressed Air

- The Customer's Plumber is to provide and install a 1/2 inch compressed air line from the Air Compressor to the Air Distribution Manifold for the Retract functions.

Dimensions

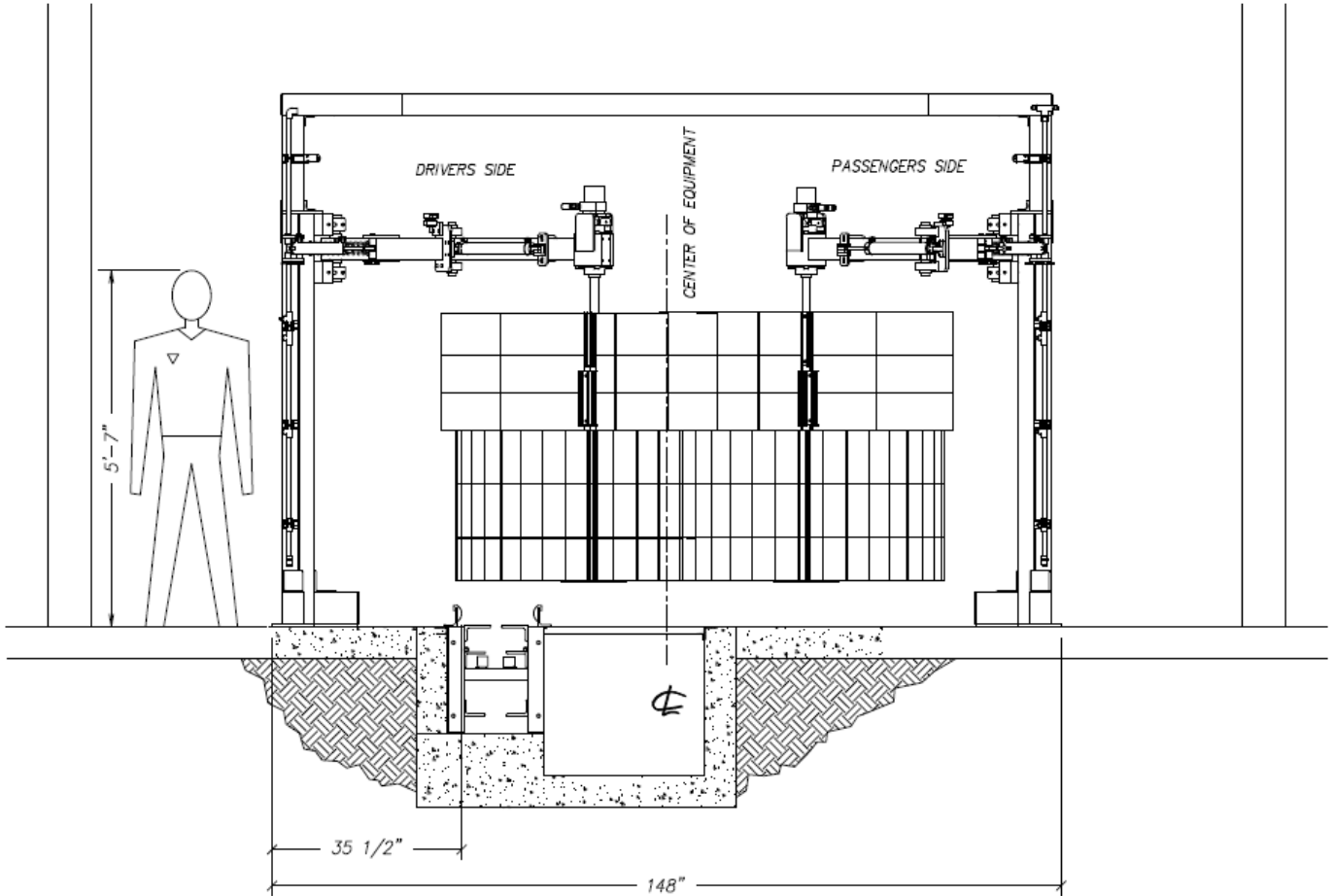
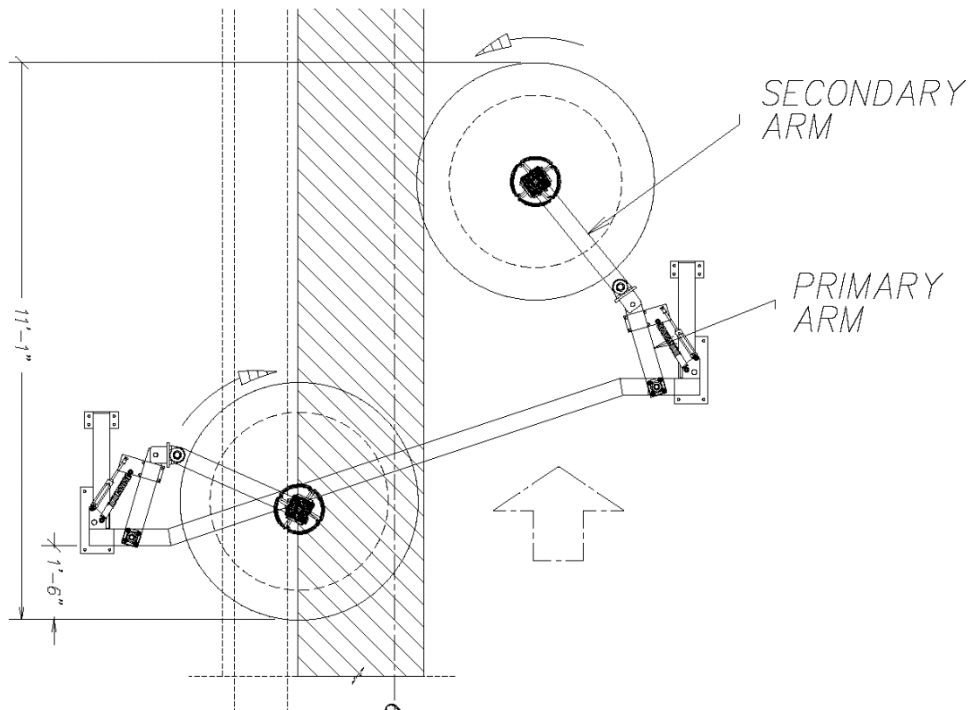
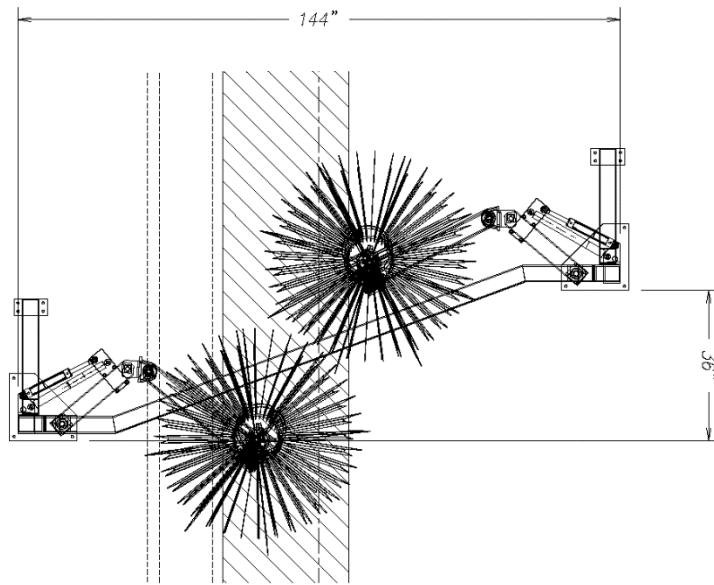


Figure #1



CWD-INSTALL-GRILL BRUSH-02

Figure #2

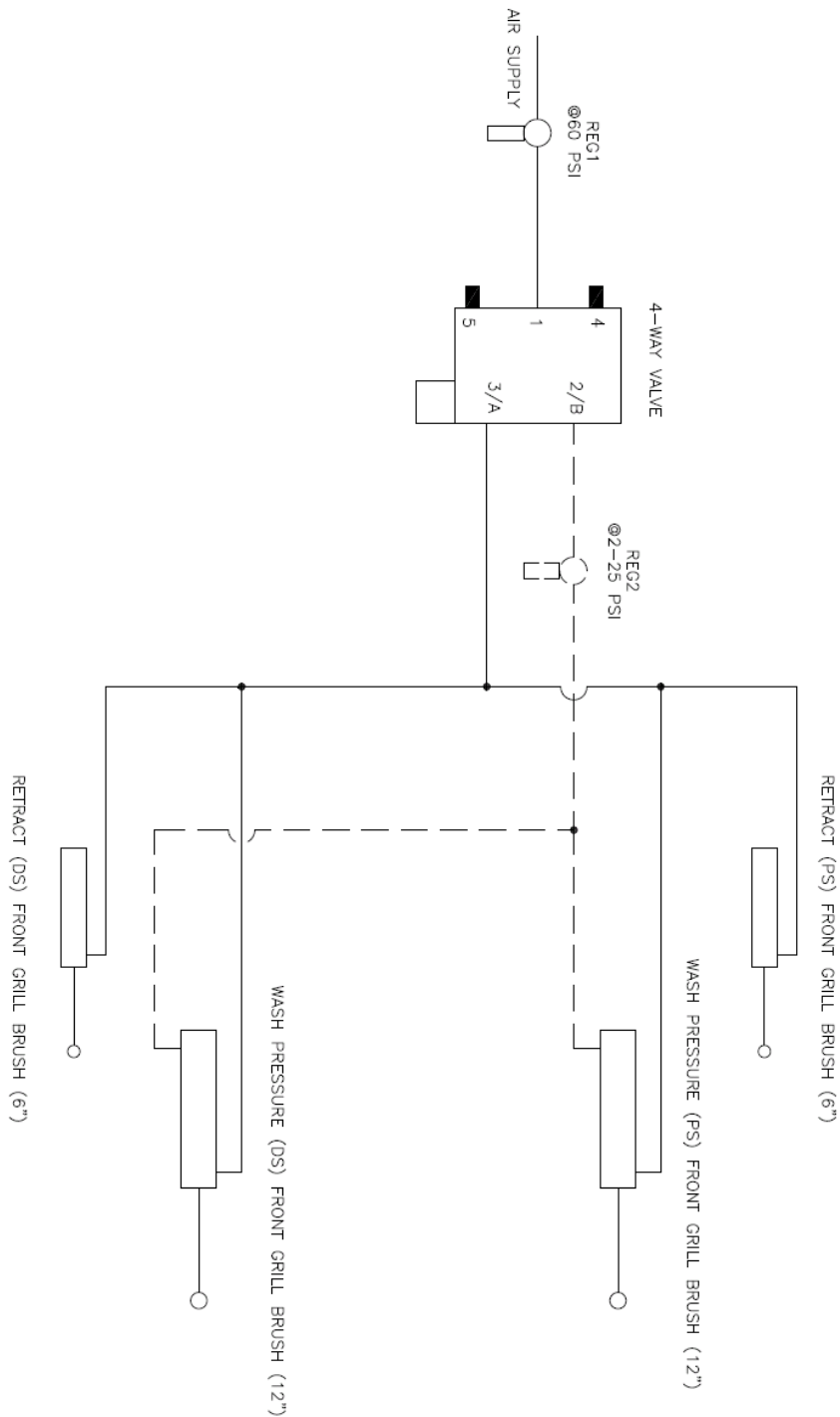


Figure #3

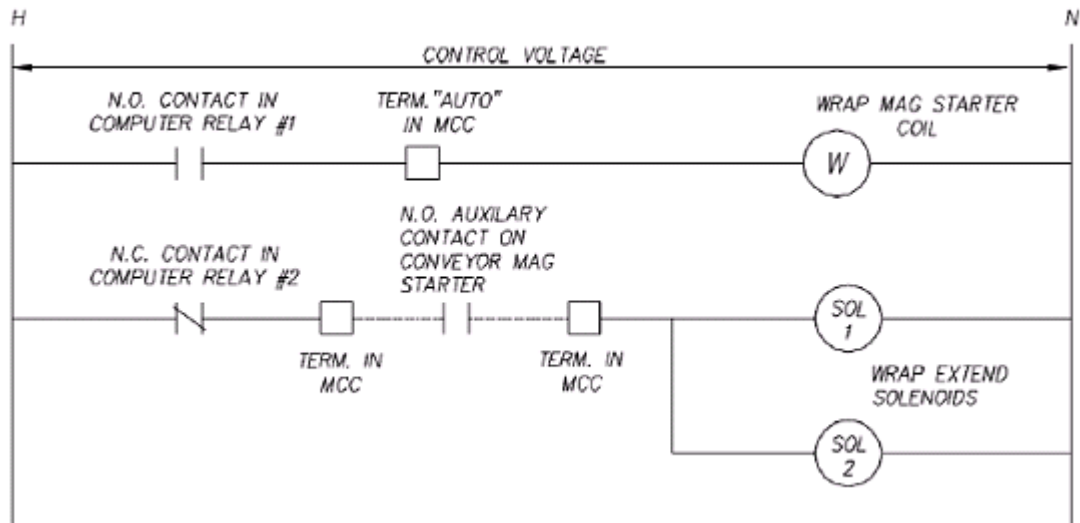


Figure #4

*SONNY'S MODEL #SF50 & SFB50
"SUV" SIDE WASHERS*

HYDRAULIC INTERCONNECTION

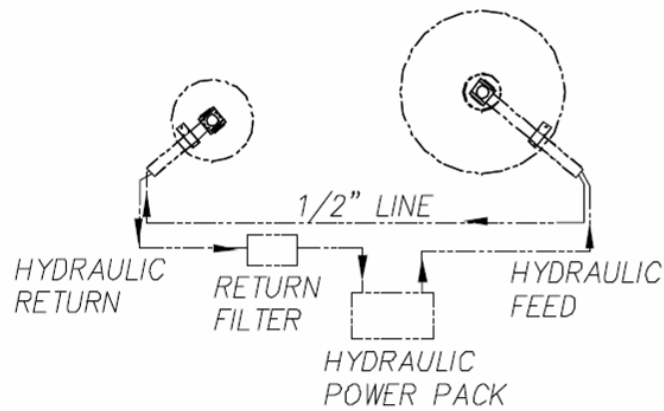
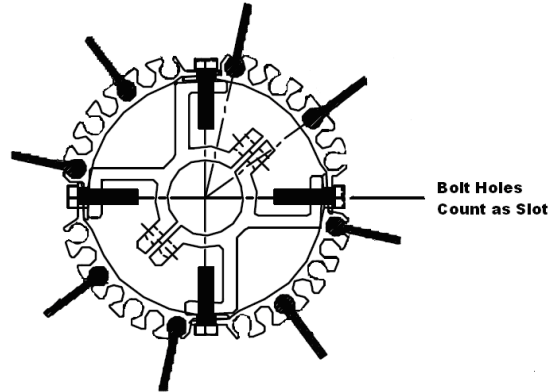


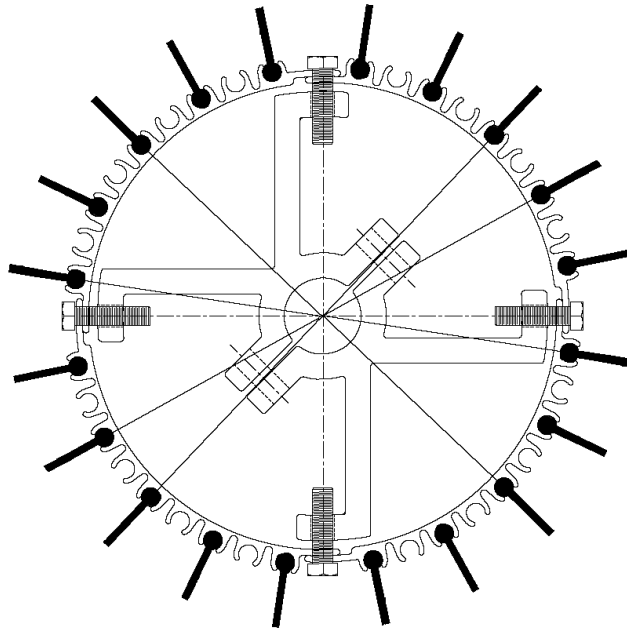
Figure #5

Insert Patterns 28 Slot Hub 6" Diameter



8 Position Material

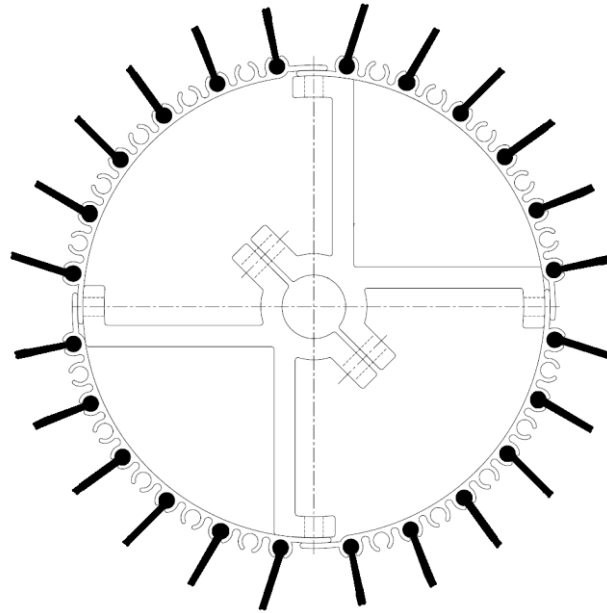
Insert Patterns 36 Slot Hub 10" Diameter



20 Position Material



Insert Patterns 44 Slot Hub 12" Diameter

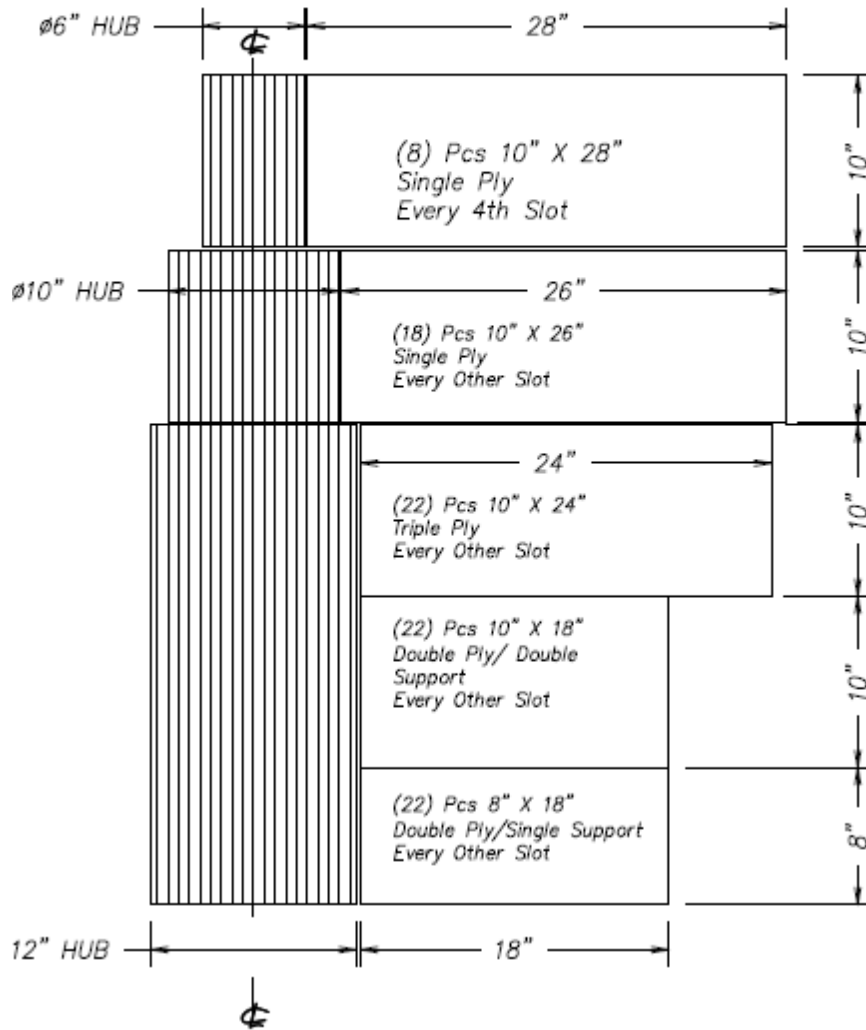


24 Position Material



Sonny's NeoGlide Installation

CWD-NeoGlide-SFGRILL-50





Equipment Installation

Front Grill Brush Installation

Installation Tools

1. Safety Glasses
2. 1/2" Drive Ratchet Set
1. Standard Combo Wrenches
2. Tape Measure
3. Permanent Marker
4. 4' Level
5. Electric Impact Wrench
6. 5' Pry Bar
7. 1" Hammer Drill
8. Sledgehammer

Work Force

One (1) Person

Consumables

1. PTFE Paste
2. PTFE Tape

Time (assuming no problems)

1.00 - 2.00 hours

Installation Steps

1. Determine where the Washer Frame is to be installed. Refer to tunnel layout diagram.
2. Sweep any debris from where the Washer will stand.

Note: Ensure the Washer Frame is correctly located before installing any lag bolts. Before lagging the frame into position have a second person double check all measurements against your tunnel equipment layout drawings to ensure all measurements were performed correctly.

3. Bring the driver side leg into the building using the lift-a-ma-jig. Do not cut the brush arms free.
4. Place 46" from the inside of the passenger guide rail and the correct distance from the entrance for your tunnel layout.
5. Square the Washer Frame to the conveyor. Plumb the legs and level the hanger arms. Shim the base as needed.
6. Lag one corner of the driver's side base and recheck all measurements. Once confirmed, lag the opposite corner on the passenger's side then finish lagging the brush in place.



Owner's Manual Front Grill Brush - SF50

7. Check that the shock on each brush hanger does not "bottom out" in their fully extended position. If this occurs move the shock mounting position to a different hole on the mounting bracket to prevent a fully extended condition.
8. Attach the primary arms to the unit.

Note: The SONNY'S supplied BLACK high pressure hose on the washer unit is for the hydraulic PRESSURE connection. The SONNY'S supplied ORANGE high pressure hose on the washer unit is for the hydraulic RETURN connection.

9. Run and connect a 1/2 inch PRESSURE line from the Hydraulic Power Pack to the 1/2 inch male pipe thread fitting on the BLACK high pressure hose on the leg of the Washer.
10. Run and connect the 1/2 inch RETURN line to the Hydraulic Power Pack to the 1/2 inch male pipe thread fitting on the ORANGE high pressure hose on the leg of the Washer.
11. Run and connect the chemical lines from the Chemical Distribution Manifold to the chemical line on the Wrap frame for the application nozzles.
12. Rotation of the Brushes is against vehicle travel. As viewed from the top of each Brush the DRIVER side turns CLOCKWISE and the PASSENGER side turns COUNTERCLOCKWISE.
13. Run and connect the air lines from the Air Distribution Manifold to the air cylinder for each retract (See Figure #3 in the Dimensions Section).
14. Install cloth on the Brush Cores according to the type of material being used.



Adjustments and Testing

Adjust the Cleaning Pressure of the Washer

To adjust the pressure applied to the vehicle the mounting position and the spring position of the shocks can be changed. Cloth penetration should be about three to four inches.

Adjust for smooth retracts operation

To adjust the retract operation the air pressure regulator should be adjusted for approximately 30PSI in the retract position and in the range of 0-15PSI in the extended position.

Speed and Torque Adjustment (where applicable)

1. Hydraulic
 - a. The speed can be adjusted on the flow control for the power pack.
 - b. To increase the speed move the handle on the flow control closer to the number 10.
 - c. To decrease the speed move the handle on the flow control closer to the number 1.
 - d. The torque must be set prior to operation and should be set between 600 and 900 PSI. For information on how to set the torque please refer to the Hydraulic Power Pack Manual.
2. Electric
 - a. The speed can be adjusted on the Variable Frequency Drive (VFD).
 - b. To increase the speed adjust the Hertz on the VFD to a higher number.
 - c. To decrease the speed adjust the Hertz on the VFD to a lower number.
 - d. The Overload on the Motor Starter protector(s) must be set at the lowest level to allow for operation. Adjust the amps in accordance with motor(s) name plate.



GENERAL OPERATION

Grill Brush Operation

Brush rotation starts and stops with a signal from the Customer supplied Controller system to the Customer's hydraulic power pack which drives the hydraulic motors on the brushes. This Controller Start-Stop signal should also control soap solution delivery to the spray bar on each brush.

BE CERTAIN THAT THE BRUSHES ROTATE AGAINST VEHICLE TRAVEL

With the brushes rotating (against the direction of vehicle travel and at proper RPM) the vehicle front grill contacts the washers at the center of the grill and travels across the grill of the vehicle maintaining steady contact while cleaning the front of the vehicle.

After passing beyond the front of the vehicle the brush will travel down the side of the vehicle continuing to clean the vehicle as a side brush.

Proper cloth penetration on flat vehicle surfaces should be 3 to 4 inches. As the wraparounds gear around corners, such as fenders, cloth penetration may be greater, but not deeper than half the distance to the aluminum brush core.

Optional Retract Operation

When selected by the Operator's remote Programmer push button station the wraparound brushes will retract from the center of the wash tunnel toward the tunnel outer walls. This can be done individually if one solenoid is used for each arm.

This is accomplished, when the push button is pressed, by completing an electrical circuit through the equipment Programmer to pass single phase power at the preset pulse count of the Programmer to the retract air solenoid valve. The air solenoid valve now opens and allows compressed air to pass through to the rod end port of each air cylinder causing the brush hangers to retract.



PREVENTIVE MAINTENANCE

DAILY

1. Check all hydraulic, air and chemical lines and fittings for leaks. Repair, or replace, as needed.
2. Check both brush units for proper operation and retract operation, listening for any unusual noises from the equipment.
3. Inspect brush cloth for cuts, grease, or oil. Remove and repair, or replace, any cloth panel if any of these conditions are found.
4. Check for proper chemical solution delivery.

WEEKLY

1. Grease the brush shaft four bolt flange bearings. Do not allow grease to come in contact with brush cloth.

FOR THE FIRST MONTH OF OPERATION CHECK ALL HARDWARE AND FITTINGS FOR TIGHTNESS EACH WEEK. PERFORM THIS INSPECTION TO THE SCHEDULE SHOWN BELOW AFTER THE FIRST MONTH OF OPERATION.

MONTHLY

1. Inspect all hardware and fittings for tightness.
2. Grease the brush hanger pillow block bearings. Do not allow grease to come in contact with brush cloth.
3. Inspect soap solution spray nozzles for wear. Replace, as necessary.
4. Thoroughly clean the equipment and framework.

SEMI-ANNUALLY

1. Carefully inspect brush equipment cloth for wear and damage. Replace as necessary

PARTS

Hydraulic Motor for Grill Brush

- Torqmotor **TE** Series
- SAE O-Ring ports



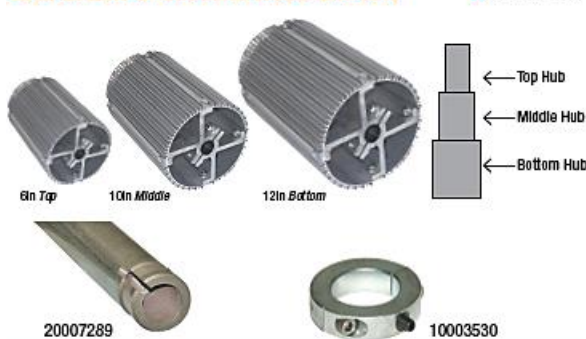
Item #	Description	Price
40010921	Parker Hyd Motor TE0100FS100AAAC MF0609R	\$320.46
40011177	Char-Lynn Hyd Motor 5.7 CL3586 MF0609R	308.09
10000961	Connector 6400-8-10 JIC 1/2in x 7/8-14in	1.48
10000880	Connector 2404 M JIC 1/2in x 1/2in MPT	1.32
10006558	Woodruff Key Half Moon 1/4in x 1-1/8in	1.03
10003765	Bolt, Hex 3/8-16" x 1-1/4" Zn 37C125HCS5Z	0.30
10001487	Washer, Split Lock 3/8in Zinc 37NLOC0Z	0.13

Torque Channel for Hydraulic Grill Brush



Item #	Description	Price
20007255	Torque Channel w/Knobs Top Side Brush	\$90.00

Grill Brush C-Channel Hubs & Shaft



Item #	Description	Price
20002377	Hub, 10in x 6in Spider Mount 28 Slots	\$76.99
20002408	Hub, 10in x 10in Spider Mount 36 Slots	113.89
20006930	Hub, 28in x 12in Spider Mount 44 Slots	212.06
Item #	Description	Price
20007289	Shaft 62in Brush x 1-1/2in x 1in Bore	\$125.83
10003530	Collar 2pc Clamp 1-3/8" I.D. w/Set Screw	10.74

4-Bolt Bearing for Grill Brush Shaft

- With contact seal



Item #	Description	Need	Price
40010796	AMI Bearing 4-Bolt Flange 1-1/2"	2	\$28.08
10005361	Bolt, Hex 1/2-13" x 8" Zn 50C800HCS5Z	4	2.01
10001891	Washer, Flat USS 1/2" Zn 50NWUS0Z	8	0.51
10002896	Nut, Hex Stover-Lock 1/2-13" Zn 50CNLS0Z	4	0.36

Pivot Arm Bearing for Grill Brush

- Double roller bearing
- **Used on:** brush arms since 2008



Item #	Description	Price
10007357	Bearing 2-Bolt Pillow Block 1.5in Timken	\$141.21
10004171	Bolt, Hex 1/2-13 x 2-1/2 Zn 50C250HCS5Z	0.62
10001354	Washer, Flat SAE 1/2in Zn 50NWSA0Z	0.30
10002896	Nut, Hex Stover-Lock 1/2-13" Zn 50CNLS0Z	0.36

Secondary Arm Bearing & Hose Pivot Assembly

- 2-Bolt tapped bearing



Item #	Description	Price
10005619	Hose Pivot Assembly	\$55.61
20000572	Bushing 5/8in I.D. for Omni Drive Arm	4.95

Item #	Description	Need	Price
10005478	AMI Bearing 2-Bolt Tapped Base 1-1/2in	2	\$35.25
10004135*	Bolt, Hex 1/2-13" x 2" Zn 50C200HCS5Z	2	0.47
10003792**	Bolt, Hex 1/2-13 x 1-1/2 Zn 50C150HCS5Z	2	0.35
10001505	Washer, Split Lock 1/2in 50NLOC0Z	4	0.13
10001891	Washer, Flat USS 1/2" Zn 50NWUS0Z	4	0.51

*Use to mount top bearing **Use to mount bottom bearing

Shock For Grill Brush



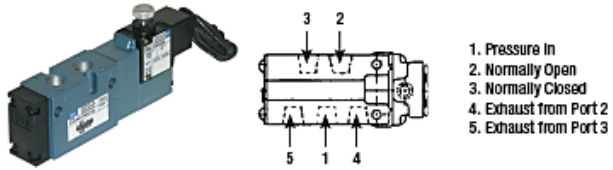
Item #	Description	Price
10005110	Shock, SONNY'S BFL100 Shock & Spring	\$44.35
10003078	Clevis Pin 5/8in x 2-1/2in w/Bridge Pin	7.99

Angle Shock Mount Plate Assembly for Grill Brush



Item #	Description	Price
20001986	Grill Brush, Shock Mount Plate Assembly	\$103.43
20010727	Pin Assembly, Side Wash Series	6.00

4-Way Solenoid Valve for Grill Brush



Item #	Description	Price
10006350	Mac, Val 811CPM-224CA152 4Way C24VAC	\$61.70
10006351	Mac, Val 811CPM-114CA152 4Way C120VAC	61.70
40011423	SMC, Metering Valve, 1/4" w/Silencer	4.94

Cylinder Mounting Bracket for Grill Brush



Item #	Description	Price
20002128	Grill Brush, Cylinder Mounting Bracket	\$46.35

Air Cylinder For Grill Brush Primary Arm



- Cylinder, 2in bore x 6in stroke
- Stainless steel rod with bolt-on rod wiper, improves cylinder life
- Located between verticle support post and first horizontal arm

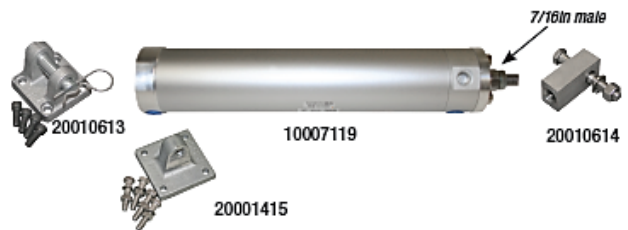


Item #	Description	Price
10006891	Cylinder, A700-2 2in Bore x 6in Stk SMC	\$105.89
20001692	Clevis Female Bracket w/Bolt 1/2in x 6in	26.95
20001640	Rod Eye Male w/Bolt and Hdw 1/2in x 6in	24.24
20001266	Grill Brush, SS Bolt Assembly	11.84

Air Cylinder for Grill Brush Secondary Arm



- Cylinder, 2in bore x 12in stroke
- 1/4in Ports
- Stainless steel rod with bolt-on rod wiper, improves cylinder life
- Located between first horizontal arm and second horizontal arm



Item #	Description	Price
10007119	Cylinder, A450-2 2in Bore x 12in Stk SMC	\$126.19
20010613	Clevis Female 1/2in x 2in Pin, w/Hdw	27.60
20001415	Clevis Male Bracket Grill Brush w/Hdw	22.46
20010614	Rod Eye Male w/Hdw & 3/8" x 2-1/2" Bolt	24.24

Fittings for Grill Brush Cylinders



Item #	Description	Price
10002534	SMC KQ2T11-35AS Tee 3/8" T x 1/4" MPT	\$3.77
10002001	SMC KQ2L11-35AS Elbow 3/8" T x 1/4" MPT	3.05
40011423	SMC, Metering Valve, 1/4" w/Silencer	4.94



WARRANTY

SONNY'S ENTERPRISES, INC. FACTORY LIMITED LIFETIME WARRANTY

Equipment manufactured by SONNY'S ENTERPRISES, INC. is warranted to be free from defect in material and workmanship. Welded metal framework and other non-moving, non-wearable fabricated metal components manufactured by SONNY'S are warranted for the life of the equipment to the original purchaser. Fabricated metal wearable surface and moving components manufactured by SONNY'S are warranted for a period of one (1) year to the original purchaser of the equipment.

All components assembled to SONNY'S equipment that are manufactured by others are warranted by the appropriate manufacturer and subject to that manufacturer's limited warranty. Contact SONNY'S for the specific information on other component manufacturer's warranty terms. All new cloth shipped with new SONNY'S equipment is warranted for a period of one (1) year or 80,000, whichever occurs first.

This warranty is not assignable or transferable. The warranty period begins the first day following installation or 30 days from the original invoice date, whichever occurs first. The Seller's liability shall be limited to repair or replacement of materials found to be defective within the warranty period. In the event of repair or replacement this limited warranty is noncumulative. The Purchaser must supply the Seller with immediate written notice when any defects are found. The Seller shall have the option of requiring the return of defective material to establish the Purchaser's claim. Neither labor nor transportation charges are included in this warranty. Transportation damage claims are to be submitted to the carrier of the damaged materials.

This warranty is based upon the Purchaser's reasonable care and maintenance of the warranted equipment. It does not apply to any equipment which has been subject to misuse, including neglect, accident or exposure to harsh chemicals or chemicals that react violently with water, organic acids (e.g. acetic acid), inorganic acids (e.g. hydrofluoric acid), oxidizing agents (e.g. peroxides), and metals (e.g. aluminum). Chemicals corrosive to aluminum alloys, carbon steel, and other metals. Nor does it apply to any equipment which has been repaired or altered by anyone not so authorized by SONNY'S. Further, the equipment must be properly installed with proper accuracy of all specified plumbing, electrical, and mechanical requirements. This warranty does not apply to normal wear and tear or routine maintenance components.

EXCEPT AS EXPRESSLY STATED HEREIN, SONNY'S SHALL NOT BE LIABLE FOR DAMAGES OF ANY KIND IN CONNECTION WITH THE PURCHASE, MAINTENANCE, OR USE OF THIS EQUIPMENT INCLUDING LOSS OF PROFITS AND ALL CLAIMS FOR CONSEQUENTIAL DAMAGES. THE LIMITED WARRANTY EXPRESSED HEREIN IS IN LIEU OF ALL OTHER WARRANTIES EXPRESSED OR IMPLIED. SONNY'S NEITHER ASSUMES NOR AUTHORIZES ANY PERSON TO ASSUME FOR IT ANY OTHER OBLIGATION OR LIABILITY IN CONNECTION HEREWITH.



CUSTOMER SERVICE

Please contact SONNY'S Equipment Department for installation and/or operational questions regarding this piece of equipment.

Please refer to the Parts Catalog and contact SONNY'S Customer Service Order Entry Department for any replacement parts for this piece of equipment.

You can also visit the web at www.SonnysDirect.com.

DEPARTMENT

Toll Free Main Line
Equipment Department

PHONE NUMBERS

800-327-8723
954-720-4100

FAX NUMBERS

800-495-4049
954-720-9292

Or you can email Sales at sales@SonnysDirect.com

Thank you for being a SONNY'S car wash equipment owner!

From all of us here at

