



TotalShine System™



Owner's Manual

Sonny's Enterprises LLC
5605 Hiatus Road
Tamarac, Florida 33321



Table of Contents

WARNING *SAFETY REQUIREMENTS* WARNING	3
INTRODUCTION	5
INSTALLATION	8
Utilities Requirements	8
Dimensions	9
Equipment Installation	15
Adjustments and Testing	17
GENERAL OPERATION	18
PREVENTIVE MAINTENANCE	19
WARRANTY	20
CUSTOMER SERVICE	21

Sonny's and Sonny's The CarWash Factory are Registered trademarks of Sonny's Enterprises LLC
Make CarWashing Easy and OneWash are trademarks of Sonny's Enterprises LLC
Designed here. **Built** here. **Backed** here. is a trademark of Sonny's Enterprises LLC
Products mentioned herein are for identification purposes only and may be registered trademarks of their respective companies.
All other brand names, trademarks or registered trademarks are the property of their respective owners.



WARNING *SAFETY REQUIREMENTS* WARNING

1. All employees must be thoroughly trained in safe operation and standard maintenance practices. All employees must review this entire manual monthly.
2. Do not enter the wash tunnel when the equipment is operating. Death or dismemberment may occur.
3. Do not wear loose fitting clothing or jewelry around moving equipment. Do not allow any part of your body or other objects (including ladders, hoses, or tools) to come in contact with moving equipment. Entanglement may result causing death or dismemberment.
4. Do not leave a ladder or any other items such as wash down hoses or tools in the wash tunnel while equipment is running. Vehicle damage and injury, including death, can occur.
5. Always exercise caution when walking (never run) through the wash tunnel as there may be slippery conditions. Be careful so you do not bump into or trip over equipment.
6. Only those employees specifically instructed and trained by the location management are permitted to enter the wash tunnel to perform inspections or maintenance. At least two qualified maintenance people must be present when performing equipment repairs or preventive maintenance.
7. Do not perform any maintenance or work on equipment unless you first perform Lock-Out Safety Precautions. All electrically powered equipment must have manually operated disconnects capable of being locked in the "OFF" position. Equipment that has been "locked out" for any reason must be restarted only by the person who performed the "lock out" operation.
8. When working on any equipment that is higher than your shoulders, always use a fiberglass ladder that is in good condition.
9. Do not attempt to repair or adjust any pressurized liquid or pneumatic part, hose, pipe or fitting while that equipment is in operation.
10. Electrical connections and repairs must be performed by a Licensed Electrician Only.
11. Emergency "STOP" buttons must be well marked and their location and proper use reviewed with all personnel. Any activated "STOP" button must be reset only by the person who activated it. Clear the wash tunnel of any people, ladders, hoses, tools, and other loose items before restarting the equipment. An audible device must sound to warn people that the equipment is starting.
12. Do not operate any piece of equipment that requires safety covers with those covers removed or improperly installed. Do not operate any piece of equipment if any component of that piece is suspected to be defective or malfunctioning.



13. Store all cleaning and washing solutions and oils in a well-ventilated area. Clean up fluid spills immediately to prevent hazardous safety conditions. Be certain to follow all safety procedures on SDS Sheets for each chemical product used.
14. All hydraulic and electric systems in the wash tunnel equipped with a torque relief or overload should be checked and set at the minimum amount that will allow for proper functionality under normal washing conditions.
15. No unauthorized people should ever be permitted in the wash tunnel or near the equipment at any time.

* * *

!! CAUTION !!

When a piece of equipment must be in operation during inspection or maintenance, one qualified technician must stay at the power disconnect switch while another qualified technician performs the inspection or maintenance.



INTRODUCTION

This Manual contains information that is vital to the successful installation, operation and maintenance of your SONNY'S vehicle washing equipment.

Please read, and understand, the full contents of this manual before installation and operation of the equipment. Keep this booklet in a location where it may be used for ongoing reference.

Should you have any questions on the operation or servicing of this equipment please contact

TECHNICAL SERVICES DEPT.

SONNY'S ENTERPRISES, INC.

5605 Hiatus Road

TAMARAC, FLORIDA 33321

TELEPHONE: 800-327-8723 FAX: 800-495-4049

THANK YOU FOR YOUR CONFIDENCE IN SONNY'S !!!!!!





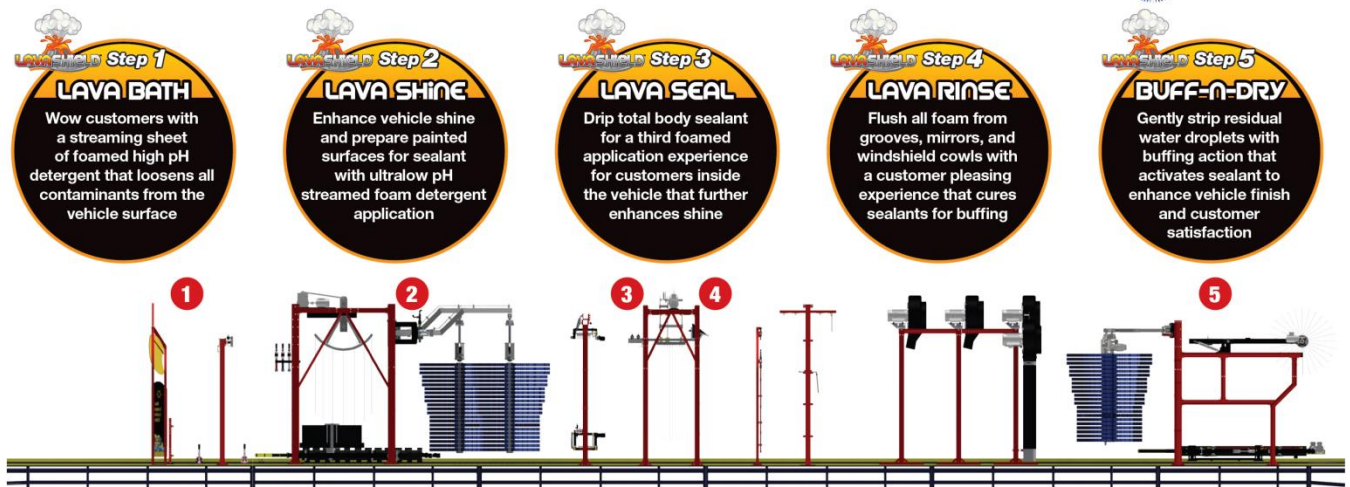
LavaShield™ or ArcticShield™ Standard Graphics
*Custom Graphics are available

TotalShine System™

Problem:
You need an online revenue service that will boost average ticket prices.

Solved:
SONNY'S TotalShine™ is a 5-step online paint sealant system that leverages today's state-of-the-art chemistry, application technology, and wash materials to deliver a distinct and spectacular show to the customer. With a brilliant shine and incredible customer satisfaction, operators are using the system to achieve higher average tickets than ever before.

Life Time
LifeTime Limited Weldment Warranty for Generations to Come





Owner's Manual TotalShine System™

STEP	Description
1	Grand Entrance Arch w/ Non-Illuminated Die-Cut Panels
	Total Bath Applicator 80in Attachment with LED light and (2) G57 Dual Santoprene Pump Stations
2	Total Shine Applicator Attach, (1) G57 Single Viton Pump Station
3	Total Seal Double Drip Attachment with graphic panel and (2) G57 Single Santoprene Pump Stations
4	Total Rinse Waterfall Attachment with Pump Station
5	Total Buff-n-Dry with ShammyDry Material. *Tire Dressing Applicator Sold Separately

*Plan Ahead!

A successful TotalShine System execution demands a complete evaluation of your existing signage and tunnel equipment package. This is the base equipment price only and does not include the cost for signage, installation, or freight. You may also need other additional equipment components and support equipment including motor controls for a Buff-n-Dry machine depending on your current tunnel configuration that are unique for each property and therefore not reflected in the price above. Please contact your SONNY'S representative to see how TotalShine can work at your wash.

‡Do The Math!

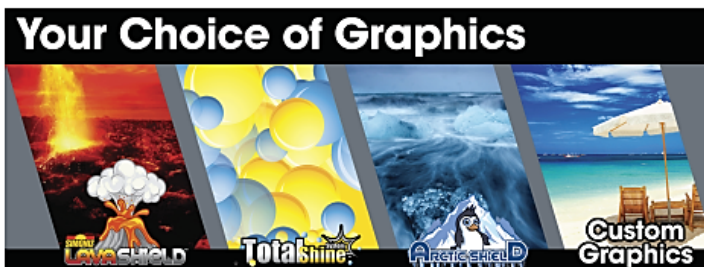
Right now, other car wash owners using Sonny's Total Shine System have seen their dollar-per-car averages typically jump \$1 to \$1.50 with the 4-Step System and \$2.00 or more when combined with a Buff-n-Dry machine. This is based on a proven formula attributed to these three principles but not a guarantee of incremental revenue. Actual results depend on numerous factors not present at every car wash location.

By utilizing SONNY'S Total Shine System's LavaShield graphic package, washes are leveraging a brand image that **customers remember and return** to time after time.

By differentiating themselves from other washes, SONNY'S Total Shine System users are **attracting new business** - everyone wants to check it out.

By increasing the value of the wash experience and the end product, these car wash operators are able to **command a higher selling price** for their top package.

	4-Step Package @ \$1.00 Per Car Increase			5-Step Package @ \$1.50 Per Car Increase		
	MONTHLY INCREMENTAL REVENUE	ANNUAL INCREMENTAL REVENUE	\$14,613 Equipment* INVESTMENT PAID OFF IN	MONTHLY INCREMENTAL REVENUE	ANNUAL INCREMENTAL REVENUE	\$63,492 Equipment* INVESTMENT PAID OFF IN
Your Monthly Car Count						
If You Wash 3,000 Cars Per Month	\$3,000	\$36,000	4.9 MONTHS	\$4,500	\$54,000	14.2 MONTHS
If You Wash 5,000 Cars Per Month	\$5,000	\$60,000	3 MONTHS	\$7,500	\$90,000	8.5 MONTHS
If You Wash 8,000 Cars Per Month	\$8,000	\$96,000	1.9 MONTHS	\$12,000	\$144,000	5.3 MONTHS



Use Our Branding or Create Your Own!



Protect & beautify your equipment with optional powder coating. Call for pricing.



For in-depth information about this product, watch video at www.sonnysdirect.com

Designed Here. Built Here. Backed Here. 1-800-327-8723 or fax 1-800-495-4049



INSTALLATION

Utilities Requirements

**Utilities interconnection and the materials required for interconnection to Sonny's equipment are the responsibility of the customer!
Perform all trades work to all applicable local and national codes!**

Water

- The Customer's Plumber is to provide and install a ½" city water line @60PSI (nominal) to the solenoid valve on the chemical distribution system.
- Additionally, the customer's plumber is to install the Sonny's supplied liquid solenoid valve and any specified solution injector valve, at the arch inlet pipe fitting. For the ease of maintenance the customer's plumber should provide and install a ball type shut-off valve upstream of the liquid solenoid valve.
- The Customer's Plumber is to provide materials and install ½"inch diameter interconnecting plumbing (including a ball valve for air shut-off) from the customers pump station to the arch.

Compressed Air

- The customer's plumber is to provide materials and install a 3/8" diameter compressed air line from the customer's air compressor to the air solenoid valve on the air inlet fitting of the arch.

Electrical

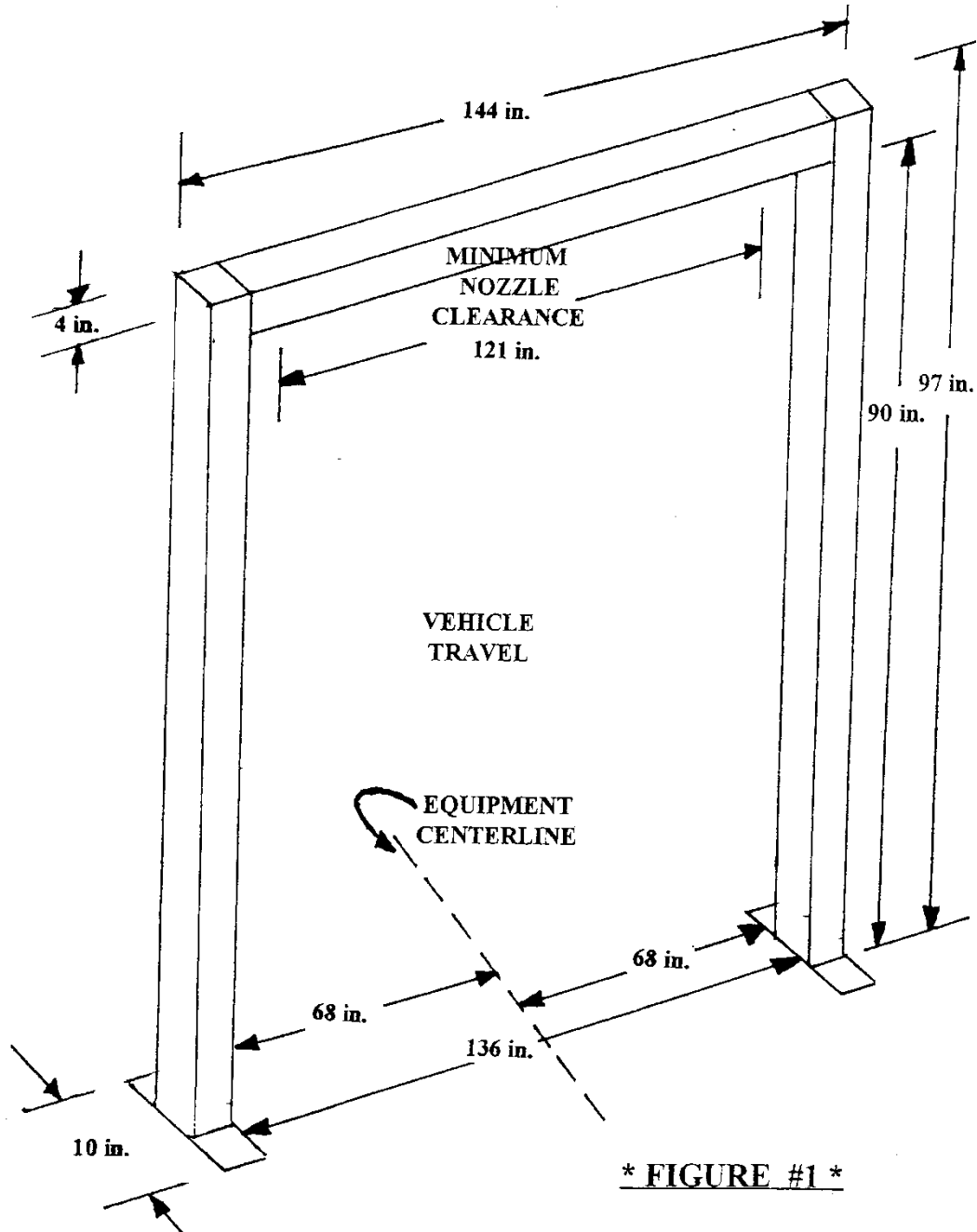
- The Customer's Electrician is to provide and install single phase power from the (24 or 110 VAC as determined at time of order) from the Customer's Controller system to the liquid solenoid valve for each spray bars and, if required, the motor starter coil for the 20 GPM pump.
- Required Functions (If double pole relays are used the number of functions can be cut in half)
 - Lava Bath: One function for the applicator and one for the optional LED light.
 - Lava Shine: One function for the applicator and one for the optional LED light.
 - Lava Seal: One function for the applicator and one for the optional LED light.
 - Lava Rinse: One function for the applicator and one for the optional LED light.

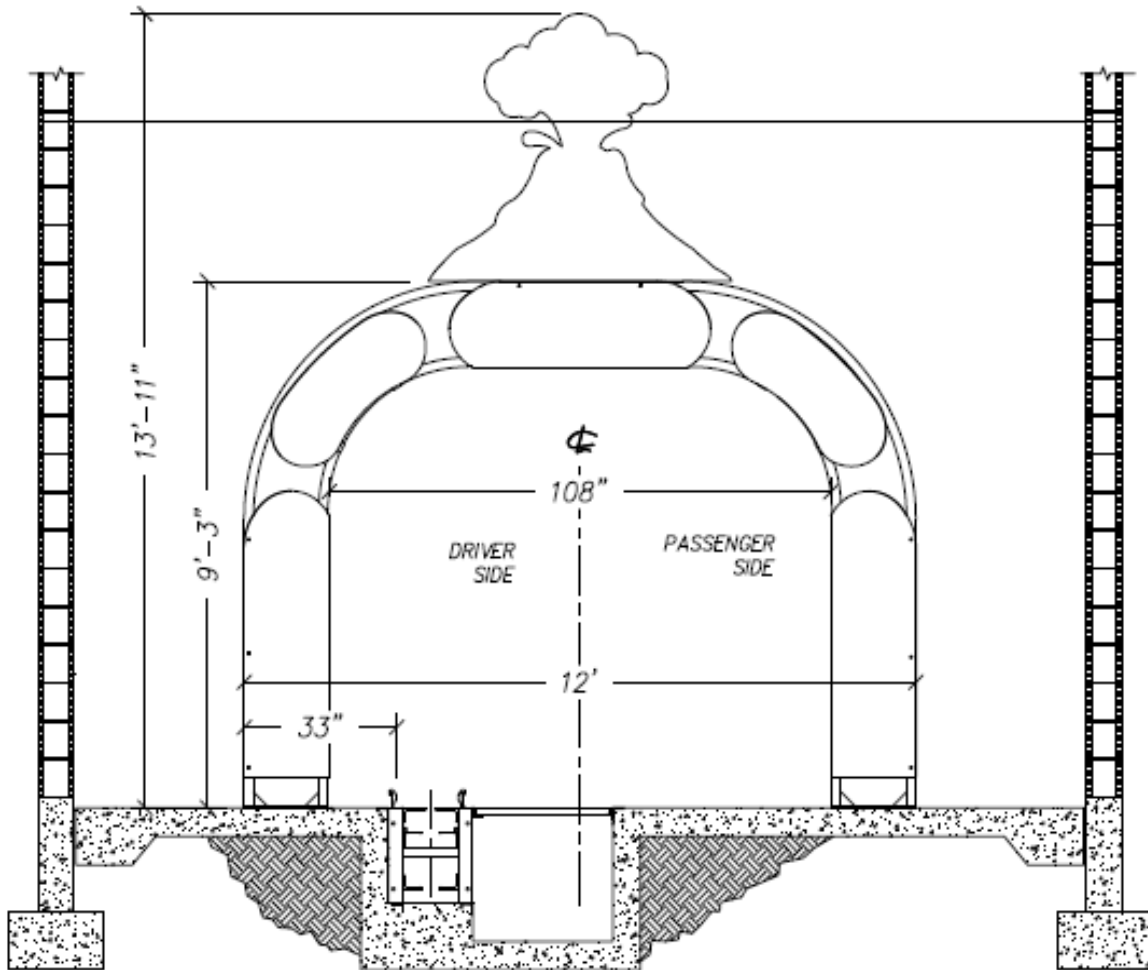
Technical Disclaimer

- Although building codes have been considered in developing all drawings, verification of site-specific conditions and compliance with federal, state, and local building codes is the exclusive responsibility of the customer and/or architect and engineer.

Dimensions

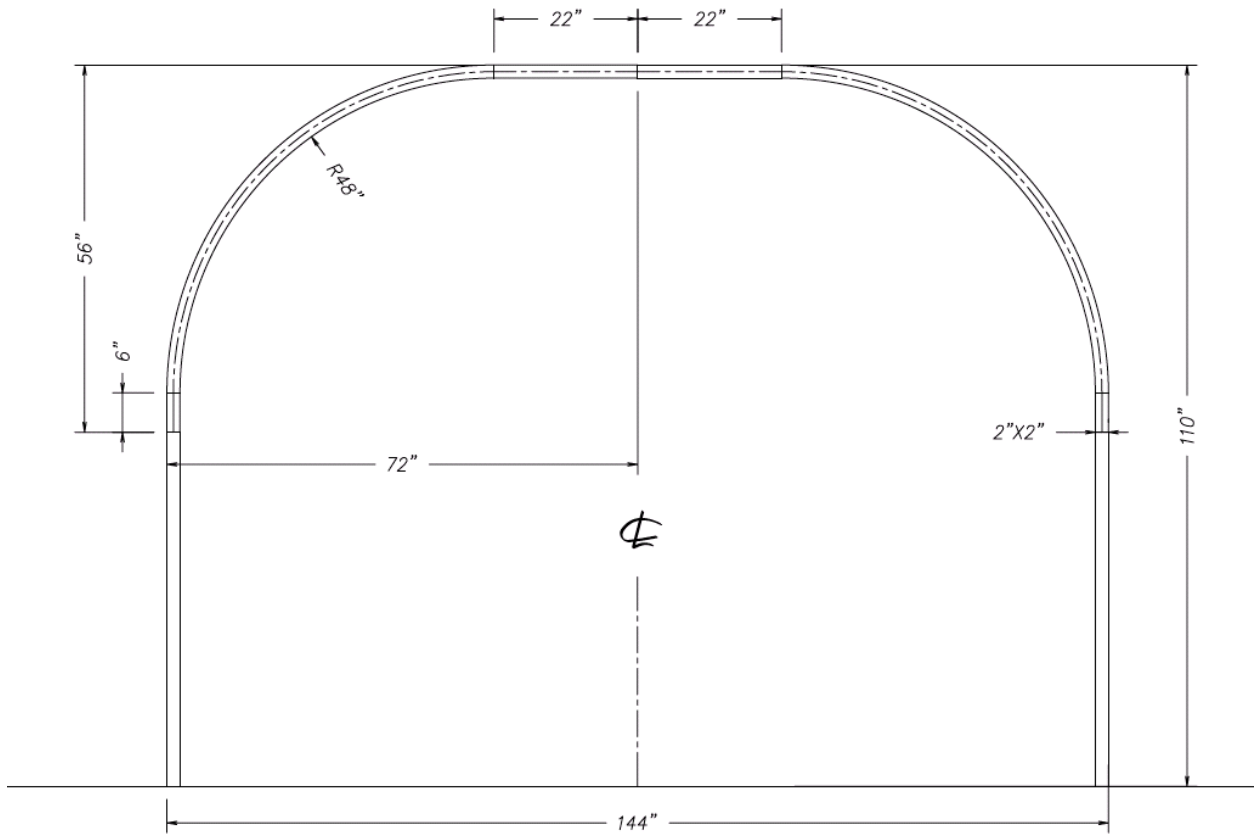
Typical Single Arch Installation





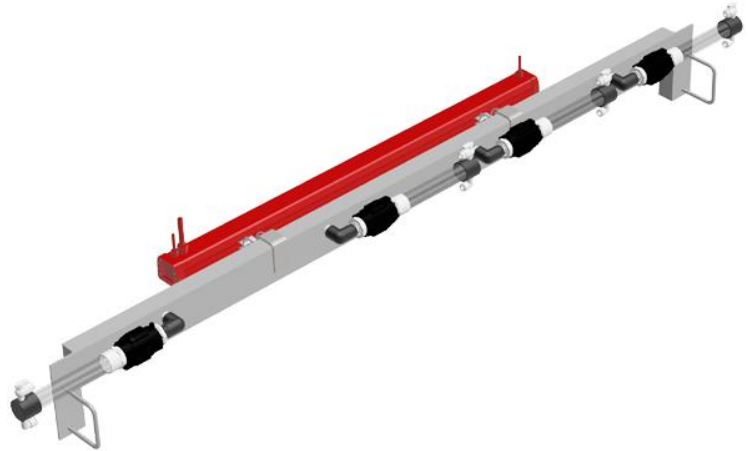


Owner's Manual TotalShine System™





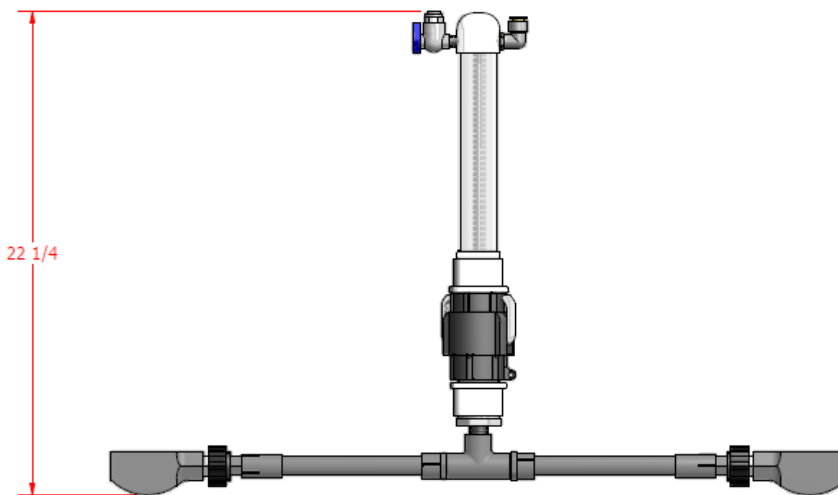
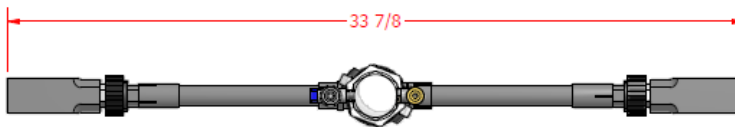
Total Bath Applicator Attachment



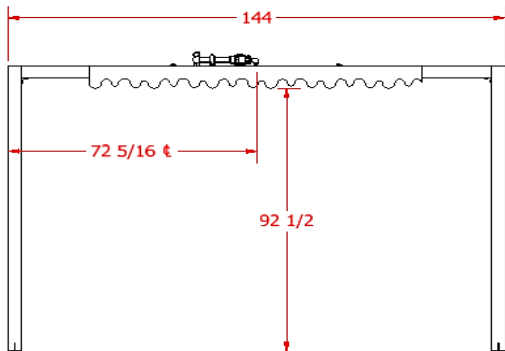
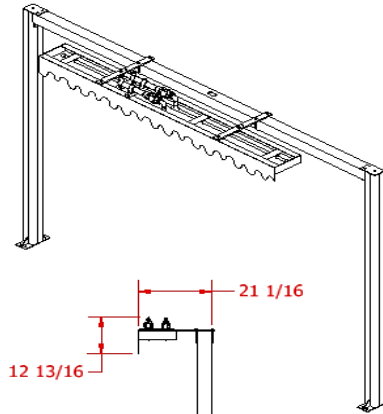
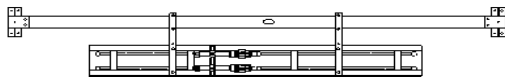
Total Waterfall Attachment



Shine Applicator Attachment™



Total Seal Attachment™





Equipment Installation

Applicator Arches

Tools

1. Safety Glasses
2. 1/2" Drive Ratchet Set
3. Standard Combo Wrenches
4. Impact Wrench Set
5. 4' Level
6. 3 lb. Sledgehammer
7. 1" Hammer Drill
8. Pry Bar
9. Tape Measure
10. Permanent Marker

Consumables

1. PTFE Paste
2. PTFE Tape

Work Force

Two (2) person

Time (assuming no problems)

2.00 – 5.00 hours

Installation Steps

1. Determine where the arch is to be installed. Refer to tunnel layout diagram.

Note: If using existing arch proceed to step 7.

2. Sweep any debris from where the arch will stand.
3. Place the arch mounting posts on the passenger and driver sides according to the dimensions on the tunnel layout diagram. DO NOT permanently anchor the base plates.

Note: Before lagging the frame into position have a second person double check all measurements against your tunnel equipment layout drawings to ensure all measurements were performed correctly.

4. Check that the side legs are vertically plum, and the top cross beam is level.
5. Shim the mounting pads as necessary to achieve level and plumb conditions.
6. Anchor the mounting pads to the concrete floor with the wedge anchors.
7. Attach supplied delivery system to the arch using the appropriate supplied hardware.



Owner's Manual TotalShine System™

8. Bath Arch requires four (4) ½" chemical lines and four (4) 3/8" air lines ran from the pump station in backroom out to the arch.
9. Shine Applicator requires one (1) ½" chemical line and one (1) 3/8" air line ran from the pump station in the backroom out to the arch.
10. Sealant Arch two (2) ½" chemical lines and two (2) 3/8" air lines ran from the pump station in the backroom out to the arch.
11. Rinse Arch requires one (1) 1" braided line ran from the pump in the backroom out to the arch.



Adjustments and Testing

Adjustments

1. Adjustments to the application sequence, timing, and duration of all chemical applications can be regulated by the tunnel controller.
2. Adjustments to the dilution ratio of chemical to water can be changed by increasing or decreasing the size of the metering tips and/or hydro minders and/or eductors. Depending on the system you may need to adjust the stroke of the pump.
3. The volume of the diluted product can be regulated by the air pressure to the air-driven pump. The standard setting is 40PSI, higher air pressure will provide a higher volume to the application.
4. Further adjustment to the volume of the diluted product can be done using a ball valve.
5. Foam consistency can be adjusted by the air regulator at the pump station used for air to the application. The standard is 20PSI, fine air/foam adjustment can be accomplished out at the application using a ball valve.



GENERAL OPERATION

The Customer's equipment Programmer provides pre-selected and timed power to the coil of the liquid solenoid valve for each arch style listed and the coil of the air solenoid valve.

Optimum arch operation can be achieved by allowing the arch to begin spraying solution when the approaching vehicle is approximately 1 foot away from the spray nozzles. Shut-off of sprayed solution should occur when the rear bumper of the vehicle has just passed the spray nozzles.



PREVENTIVE MAINTENANCE

DAILY

Operational Checks

1. Check for leaks around hoses and fittings. Repair any serious leaks immediately.
2. Perform general examination of operation, listening for any unusual noises.
3. Check spray pattern from ports, clean any dirty ports.

WEEKLY

1. Check all nozzles for wear and replace if necessary.
2. Remove, clean, and reinsert the tuffy pad(s).

MONTHLY

Check all hardware and fittings for tightness and clean thoroughly.

ANNUALLY

Replace all nozzles to prevent excessive chemical usage and uneven application.



WARRANTY

SONNY'S ENTERPRISES, INC. FACTORY LIMITED LIFETIME WARRANTY

Equipment manufactured by SONNY'S ENTERPRISES, INC. is warranted to be free from defect in material and workmanship. Welded metal framework and other non-moving, non-wearable fabricated metal components manufactured by SONNY'S are warranted for the life of the equipment to the original purchaser. Fabricated metal wearable surface and moving components manufactured by SONNY'S are warranted for a period of one (1) year to the original purchaser of the equipment.

All components assembled to SONNY'S equipment that are manufactured by others are warranted by the appropriate manufacturer and subject to that manufacturer's limited warranty. Contact SONNY'S for the specific information on other component manufacturer's warranty terms. All new cloth shipped with new SONNY'S equipment is warranted for a period of one (1) year or 80,000, whichever occurs first.

This warranty is not assignable or transferable. The warranty period begins the first day following installation or 30 days from the original invoice date, whichever occurs first. The Seller's liability shall be limited to repair or replacement of materials found to be defective within the warranty period. In the event of repair or replacement this limited warranty is noncumulative. The Purchaser must supply the Seller with immediate written notice when any defects are found. The Seller shall have the option of requiring the return of defective material to establish the Purchaser's claim. Neither labor nor transportation charges are included in this warranty. Transportation damage claims are to be submitted to the carrier of the damaged materials.

This warranty is based upon the Purchaser's reasonable care and maintenance of the warranted equipment. It does not apply to any equipment which has been subject to misuse, including neglect, accident or exposure to harsh chemicals or chemicals that react violently with water, organic acids (e.g. acetic acid), inorganic acids (e.g. hydrofluoric acid), oxidizing agents (e.g. peroxides), and metals (e.g. aluminum). Chemicals corrosive to aluminum alloys, carbon steel, and other metals. Nor does it apply to any equipment which has been repaired or altered by anyone not so authorized by SONNY'S. Further, the equipment must be properly installed with proper accuracy of all specified plumbing, electrical, and mechanical requirements. This warranty does not apply to normal wear and tear or routine maintenance components.

EXCEPT AS EXPRESSLY STATED HEREIN, SONNY'S SHALL NOT BE LIABLE FOR DAMAGES OF ANY KIND IN CONNECTION WITH THE PURCHASE, MAINTENANCE, OR USE OF THIS EQUIPMENT INCLUDING LOSS OF PROFITS AND ALL CLAIMS FOR CONSEQUENTIAL DAMAGES. THE LIMITED WARRANTY EXPRESSED HEREIN IS IN LIEU OF ALL OTHER WARRANTIES EXPRESSED OR IMPLIED. SONNY'S NEITHER ASSUMES NOR AUTHORIZES ANY PERSON TO ASSUME FOR IT ANY OTHER OBLIGATION OR LIABILITY IN CONNECTION HEREWITH.



CUSTOMER SERVICE

Please contact SONNY'S Equipment Department for installation and/or operational questions regarding this piece of equipment.

Please refer to the Parts Catalog and contact SONNY'S Customer Service Order Entry Department for any replacement parts for this piece of equipment.

You can also visit the web at www.SonnysDirect.com.

DEPARTMENT

Toll Free Main Line
Equipment Department

PHONE NUMBERS

800-327-8723
954-720-4100

FAX NUMBERS

800-495-4049
954-720-9292

Or you can email Sales at sales@SonnysDirect.com

Thank you for being a SONNY'S car wash equipment owner!

From all of us here at

