



Grand Entrance Arch



Owner's Manual

Sonny's Enterprises, Inc.
5605 Hiatus Road
Tamarac, Florida 33321
16V1



Table of Contents

WARNING *SAFETY REQUIREMENTS* WARNING	3
INTRODUCTION	5
Product Specifications	6
INSTALLATION	8
Utilities Requirements	8
Dimensions	9
Install Dimensions.....	9
Equipment Installation	10
PREVENTIVE MAINTENANCE	15
PARTS	16
WARRANTY	18
CUSTOMER SERVICE	19



WARNING *SAFETY REQUIREMENTS* WARNING

1. All employees must be thoroughly trained in safe operation and standard maintenance practices. All employees must review this entire manual monthly.
2. Do not enter the wash tunnel when the equipment is operating. Death or dismemberment may occur.
3. Do not wear loose fitting clothing or jewelry around moving equipment. Do not allow any part of your body or other objects (including ladders, hoses or tools) to come in contact with moving equipment. Entanglement may result causing death or dismemberment.
4. Do not leave a ladder or any other items such as wash down hoses or tools in the wash tunnel while equipment is running. Vehicle damage and injury, including death, can occur.
5. Always exercise caution when walking (never run) through the wash tunnel as there may be slippery conditions. Be careful so you do not bump into or trip over equipment.
6. Only those employees specifically instructed and trained by the location management are permitted to enter the wash tunnel to perform inspections or maintenance. At least two qualified maintenance people must be present when performing equipment repairs or preventive maintenance.
7. Do not perform any maintenance or work on equipment unless you first perform Lock-Out Safety Precautions. All electrically powered equipment must have manually operated disconnects capable of being locked in the "OFF" position. Equipment that has been "locked out" for any reason must be restarted only by the person who performed the "lock out" operation.
8. When working on any equipment that is higher than your shoulders, always use a fiberglass ladder that is in good condition.
9. Do not attempt to repair or adjust any pressurized liquid or pneumatic part, hose, pipe or fitting while that equipment is in operation.
10. Electrical connections and repairs must be performed by a Licensed Electrician Only.
11. Emergency "STOP" buttons must be well marked and their location and proper use reviewed with all personnel. Any activated "STOP" button must be reset only by the person who activated it. Clear the wash tunnel of any people, ladders, hoses, tools and other loose items before restarting the equipment. An audible device must sound to warn people that the equipment is starting.
12. Do not operate any piece of equipment that requires safety covers with those covers removed or improperly installed. Do not operate any piece of equipment if any component of that piece is suspected to be defective or malfunctioning.



Equipment Program - Manuals Grand Entrance Arch

13. Store all cleaning and washing solutions and oils in a well-ventilated area. Clean up fluid spills immediately to prevent hazardous safety conditions. Be certain to follow all safety procedures on SDS Sheets for each chemical product used.
14. All hydraulic and electric systems in the wash tunnel equipped with a torque relief or overload should be checked and set at the minimum amount that will allow for proper functionality under normal washing conditions.
15. No unauthorized people should ever be permitted in the wash tunnel or near the equipment at any time.

* * *

!! CAUTION !!

When a piece of equipment must be in operation during inspection or maintenance, one qualified technician must stay at the power disconnect switch while another qualified technician performs the inspection or maintenance.



INTRODUCTION

This Owner's Manual contains information that is vital to the successful installation, operation and maintenance of your SONNY'S vehicle washing equipment.

Please read, and understand, the full contents of this manual before installation and operation of the equipment. Keep this booklet in a location where it may be used for ongoing reference.

Should you have any questions on the operation or servicing of this equipment please contact

TECHNICAL SERVICES DEPT.

SONNY'S ENTERPRISES INC.

5605 Hiatus Road

TAMARAC, FLORIDA 33321

TELEPHONE: 800-327-8723 FAX: 800-495-4049

THANK YOU FOR YOUR CONFIDENCE IN SONNY'S !!!!





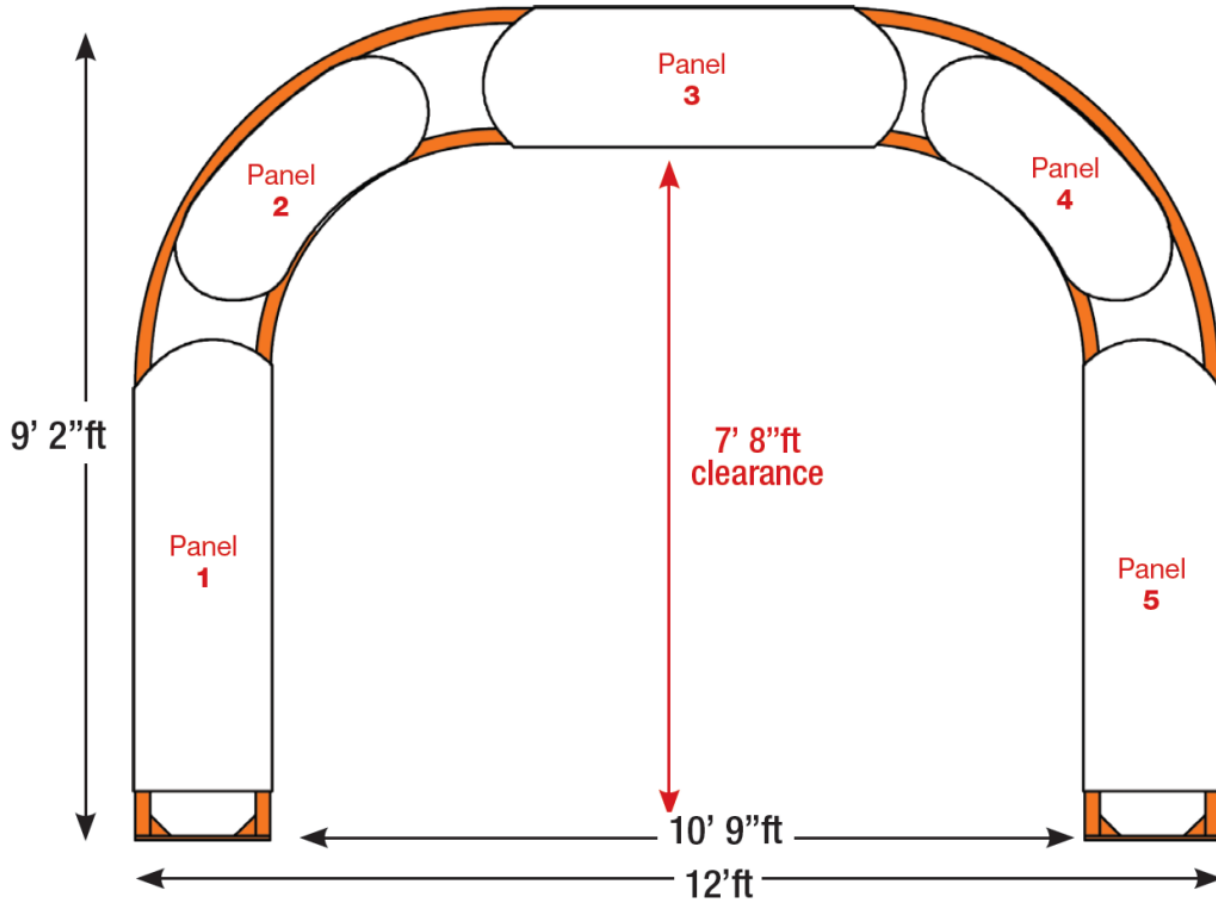
Product Specifications

- Aluminum frame and durable ACM panels.
- Also available with lighted panels.
- 111" inches unobstructed overhead tunnel clearance required.
- 12" inches tunnel length required.
- 144" inches tunnel width required.
- Maximum vehicle clearance is 90".



Equipment Program - Manuals Grand Entrance Arch

Custom Grand Entrance Arch Panels





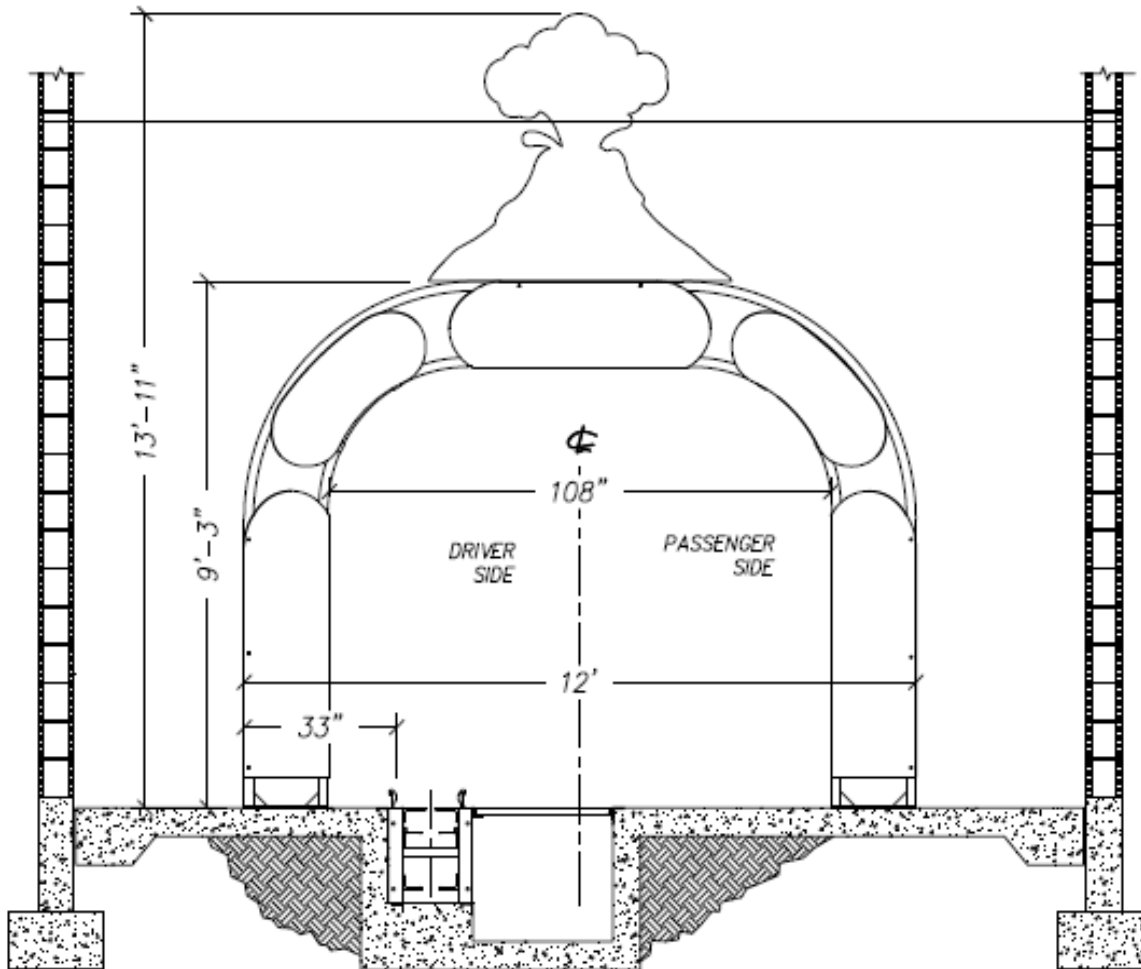
INSTALLATION

Utilities Requirements

**UTILITIES INTERCONNECTION AND THE MATERIALS REQUIRED FOR
INTERCONNECTION TO SONNY'S EQUIPMENT ARE THE RESPONSIBILITY OF THE
CUSTOMER !
PERFORM ALL TRADES WORK TO ALL APPLICABLE LOCAL AND
NATIONAL CODES !**

Dimensions

Install Dimensions



Equipment Installation

Grand Entrance Arch

Tools

1. Safety Glasses
2. Ladder
3. Standard Combo Wrenches
4. Standard Screwdriver
5. Tape Measure
6. Hand Drill and Bits
7. Adjustable Ratchet Clamp (2)

Work Force

Two (2) persons

Consumables

1. Side Walk Bolts, 1/4-20 x 1" (16X)
2. Anchor Arch Kit (1X)
3. Panels (with Decals Optional)
4. Hex Head 3/8-16 x 1" Screw (2X)
5. Finish Nut, 3/8-16 Lock (2X)
6. Flat Washer USS, 3/8" (2X)
7. Split Lock Washer, 3/8" (2X)

Time (assuming no problems)

1.00 - 2.00 hours

Installation Steps

1. Stand up weldments, right and left, on their floor plates using two installers.
2. Align the right weldment with the left weldment and connect on the top, with 3/8-16 X 1" Hex Head Screws (2X) also use flat washers 3/8" (2X), split washer 3/8" (2X) and 3/8-16 Lock Nuts (2X). Lock Down and Secure. Use Never-Seize on all bolt connections.
3. Determine where the arch is to be installed. Refer to tunnel layout diagram and install drawing on page 9. Sweep any debris from where the arch will stand.





Equipment Program - Manuals Grand Entrance Arch

4. Place the arch mounting posts on the passenger and driver sides according to the dimensions on the tunnel layout diagram. DO NOT permanently anchor the base plates.

Note: Before lagging the frame into position have a second person double check all measurements against your tunnel equipment layout drawings to ensure all measurements were performed correctly.

5. Check that the side legs are vertically plum and the top cross beam is level.
6. Shim the mounting pads as necessary to achieve level and plumb conditions.
7. Anchor the mounting pads to the concrete floor with the wedge anchors.
8. Unwrap Panel Sides and Top, place Panels on (PRE) drilled hole locations. Using ¼-20 Side Walk Bolts (16X). Use Never-Seize on all bolt connections. **(Refer to photos below)**
9. Match holes on skin to predrilled holes on arch.
10. While skin is still flat, insert screw to matched holes and secure right side to the arch.



11. The skin should fold into its natural position. Secure the left side to the predrilled holes. Once complete; repeat process for the opposite side of the arch. Always start from the inside and work your way towards the outside.



12. Place "kidney" shaped skin to the top corner of the arch using adjustable clamps. Be sure to line up the inside of the skin flush with the inside of the arch.



13. The distance between the top of the side skin and the bottom of the corner skin should measure roughly 4 ½". Tighten adjustable clamps as shown in the previous photo.



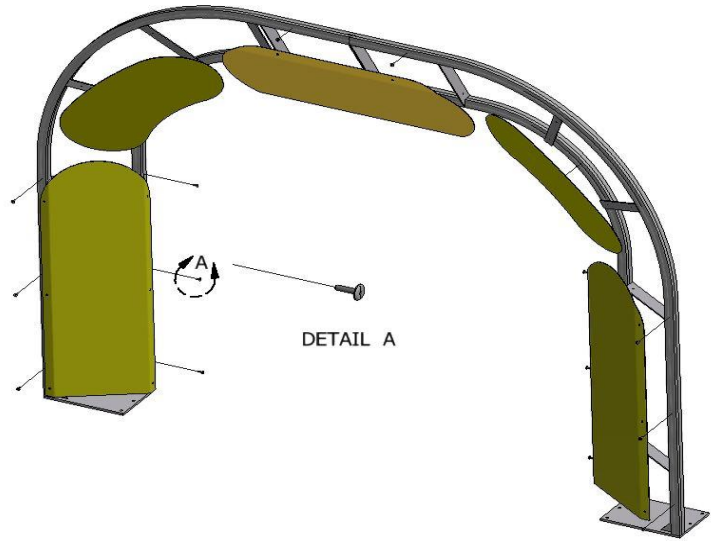
14. After securing the clamps; drill holes through skin at the locations of predrilled holes on flat bars of the arch. Secure the corner skin using the supplied hardware. Repeat process for the opposite corner of the arch.





Equipment Program - Manuals Grand Entrance Arch

15. Wipe down Arch with a clean cloth and check all Hardware for tight connections.





PREVENTIVE MAINTENANCE

DAILY

1. Overlook equipment daily and clean panels daily. Do not use a pressure washer when cleaning the panels.
2. Check for proper operation, listening for any unusual noise.

WEEKLY

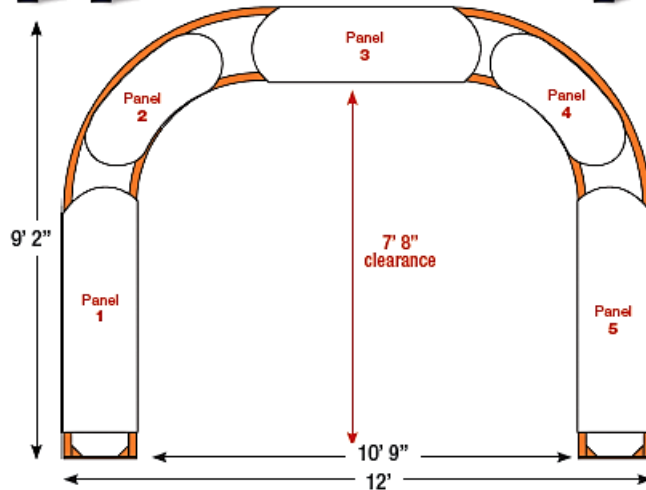
1. Inspect all hardware for tightness.

PARTS



SONNY'S Grand Entrance Arch

Our clients asked us for an affordable way to enhance the appearance of their car wash. SONNY'S Grand Entrance Arch helps your employees load customers easily onto the conveyor with customized branding that gives you an expensive image for a budget price.



Item#	Description	Price
40011359	TSS, Non-Illuminated TOP Die Cut Panel	\$475.00
40011360	TSS, Non-Illuminated Non-Die Cut TOP	250.00
40011362	TSS, Non-Illuminated DS Non Sectional	250.00
40011365	TSS, Non-Illuminated DS Corner Panel	120.00
40011364	TSS, Non-Illuminated PS Promotion Panel	250.00
40011366	TSS, Non-Illuminated PS Corner Panel	120.00



*SONNY'S Grand Entrance Arch Panels can be fully customized to your particular branding, color scheme and graphics. All samples shown, except for Lava Shield, Artic Shield and Total Shine are for demonstration purposes only. They have been custom designed and can not be replicated. Call SONNY'S CarWash College Marketing Services for your design options.



Protect & beautify your equipment with optional powder coating. Call for pricing.



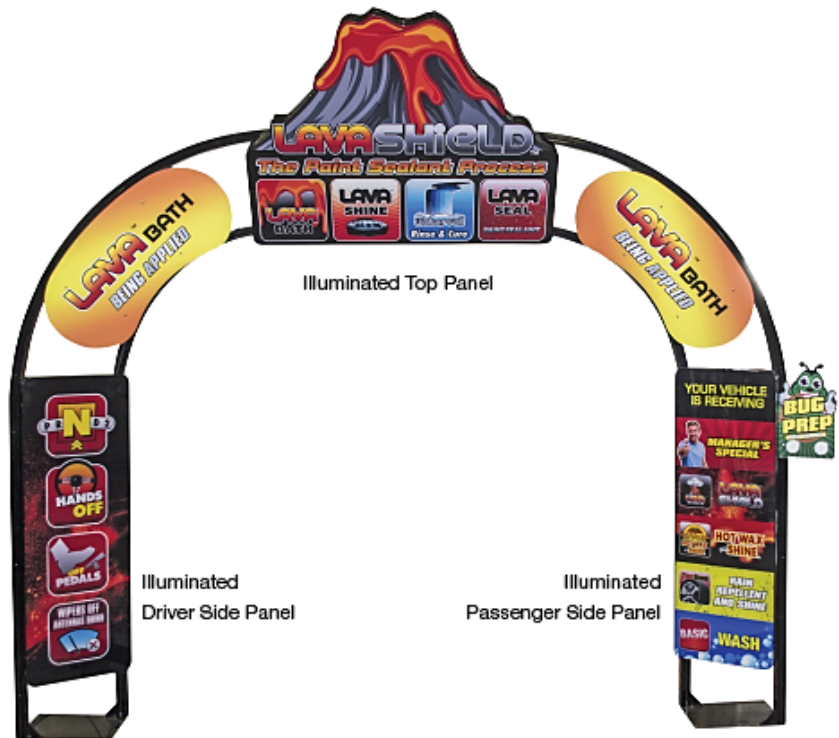
Equipment Program - Manuals Grand Entrance Arch

SONNY'S Lava Shield Illuminated Grand Entrance Arch

Take your car wash to a whole new level with our NEW illuminated Grand Entrance Arch. Promote your additional services in a "Grand Way" while giving your customers a bright, colorful introduction to the car wash experience.

The illuminated panels are retrofitable to your existing rolled assembly arch. Get one illuminated panel or the whole set – your choice.

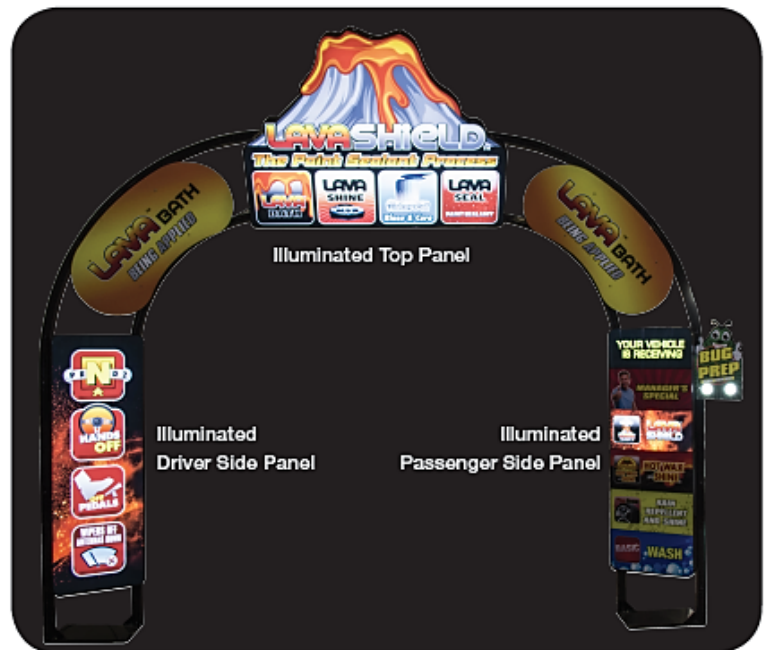
Easy to install and completely pre-wired.



Item#	Description	Price
40011358	TSS, Illuminated TOP Die Cut Panel	\$2450.00
40011361	TSS, Illuminated DS Non Sectional Panel	1095.00
40011363	TSS, Illuminated PS Promotional Panel	1675.00
40011367	TSS, Die Cut Bug Prep w/2 Flash LED	295.00



Protect & beautify your equipment with optional powder coating. Call for pricing.





WARRANTY

SONNY'S ENTERPRISES, INC. FACTORY LIMITED LIFETIME WARRANTY

Equipment manufactured by SONNY'S ENTERPRISES, INC. is warranted to be free from defect in material and workmanship. Welded metal framework and other non-moving, non-wearable fabricated metal components manufactured by SONNY'S are warranted for the life of the equipment to the original purchaser. Fabricated metal wearable surface and moving components manufactured by SONNY'S are warranted for a period of one (1) year to the original purchaser of the equipment.

All components assembled to SONNY'S equipment that are manufactured by others are warranted by the appropriate manufacturer and subject to that manufacturer's limited warranty. Contact SONNY'S for the specific information on other component manufacturer's warranty terms. All new cloth shipped with new SONNY'S equipment is warranted for a period of one (1) year or 80,000, whichever occurs first.

This warranty is not assignable or transferable. The warranty period begins the first day following installation or 30 days from the original invoice date, whichever occurs first. The Seller's liability shall be limited to repair or replacement of materials found to be defective within the warranty period. In the event of repair or replacement this limited warranty is noncumulative. The Purchaser must supply the Seller with immediate written notice when any defects are found. The Seller shall have the option of requiring the return of defective material to establish the Purchaser's claim. Neither labor nor transportation charges are included in this warranty. Transportation damage claims are to be submitted to the carrier of the damaged materials.

This warranty is based upon the Purchaser's reasonable care and maintenance of the warranted equipment. It does not apply to any equipment which has been subject to misuse, including neglect, accident or exposure to harsh chemicals or chemicals that react violently with: water, organic acids (e.g. acetic acid), inorganic acids (e.g. hydrofluoric acid), oxidizing agents (e.g. peroxides), and metals (e.g. aluminum). Chemicals corrosive to: aluminum alloys, carbon steel, and other metals. Nor does it apply to any equipment which has been repaired or altered by anyone not so authorized by SONNY'S. Further, the equipment must be properly installed with proper accuracy of all specified plumbing, electrical, and mechanical requirements. This warranty does not apply to normal wear and tear or routine maintenance components.

EXCEPT AS EXPRESSLY STATED HEREIN, SONNY'S SHALL NOT BE LIABLE FOR DAMAGES OF ANY KIND IN CONNECTION WITH THE PURCHASE, MAINTENANCE, OR USE OF THIS EQUIPMENT INCLUDING LOSS OF PROFITS AND ALL CLAIMS FOR CONSEQUENTIAL DAMAGES. THE LIMITED WARRANTY EXPRESSED HEREIN IS IN LIEU OF ALL OTHER WARRANTIES EXPRESSED OR IMPLIED. SONNY'S NEITHER ASSUMES NOR AUTHORIZES ANY PERSON TO ASSUME FOR IT ANY OTHER OBLIGATION OR LIABILITY IN CONNECTION HEREWITH.



Equipment Program - Manuals Grand Entrance Arch

CUSTOMER SERVICE

Please contact SONNY'S Equipment Department for installation and/or operational questions regarding this piece of equipment.

Please refer to the Parts Catalog and contact SONNY'S Customer Service Order Entry Department for any replacement parts for this piece of equipment.

You can also visit the web at www.SonnysDirect.com.

DEPARTMENT

Toll Free Main Line
Equipment Department

PHONE NUMBERS

800-327-8723
954-720-4100

FAX NUMBERS

800-495-4049
954-720-9292

Or you can email Sales at sales@SonnysDirect.com

Thank you for being a SONNY'S car wash equipment owner!

From all of us here at

