



Central Vacuum Boom & Canopy Frame



Owner's Manual

Sonny's Enterprises, Inc.
5605 Hiatus Road
Tamarac, Florida 33321
16v1



Table of Contents

WARNING *SAFETY REQUIREMENTS* WARNING	3
INTRODUCTION	5
Product Specifications	6
Equipment Installation	10
GENERAL OPERATION	13
WARRANTY	14
CUSTOMER SERVICE	15



Equipment Program - Manuals Central Vacuum Boom & Canopy Frame

WARNING *SAFETY REQUIREMENTS* WARNING

1. All employees must be thoroughly trained in safe operation and standard maintenance practices. All employees must review this entire manual monthly.
2. Do not enter the wash tunnel when the equipment is operating. Death or dismemberment may occur.
3. Do not wear loose fitting clothing or jewelry around moving equipment. Do not allow any part of your body or other objects (including ladders, hoses or tools) to come in contact with moving equipment. Entanglement may result causing death or dismemberment.
4. Do not leave a ladder or any other items such as wash down hoses or tools in the wash tunnel while equipment is running. Vehicle damage and injury, including death, can occur.
5. Always exercise caution when walking (never run) through the wash tunnel as there may be slippery conditions. Be careful so you do not bump into or trip over equipment.
6. Only those employees specifically instructed and trained by the location management are permitted to enter the wash tunnel to perform inspections or maintenance. At least two qualified maintenance people must be present when performing equipment repairs or preventive maintenance.
7. Do not perform any maintenance or work on equipment unless you first perform Lock-Out Safety Precautions. All electrically powered equipment must have manually operated disconnects capable of being locked in the "OFF" position. Equipment that has been "locked out" for any reason must be restarted only by the person who performed the "lock out" operation.
8. When working on any equipment that is higher than your shoulders, always use a fiberglass ladder that is in good condition.
9. Do not attempt to repair or adjust any pressurized liquid or pneumatic part, hose, pipe or fitting while that equipment is in operation.
10. Electrical connections and repairs must be performed by a Licensed Electrician Only.
11. Emergency "STOP" buttons must be well marked and their location and proper use reviewed with all personnel. Any activated "STOP" button must be reset only by the person who activated it. Clear the wash tunnel of any people, ladders, hoses, tools and other loose items before restarting the equipment. An audible device must sound to warn people that the equipment is starting.
12. Do not operate any piece of equipment that requires safety covers with those covers removed or improperly installed. Do not operate any piece of equipment if any component of that piece is suspected to be defective or malfunctioning.



Equipment Program - Manuals Central Vacuum Boom & Canopy Frame

13. Store all cleaning and washing solutions and oils in a well-ventilated area. Clean up fluid spills immediately to prevent hazardous safety conditions. Be certain to follow all safety procedures on SDS Sheets for each chemical product used.
14. All hydraulic and electric systems in the wash tunnel equipped with a torque relief or overload should be checked and set at the minimum amount that will allow for proper functionality under normal washing conditions.
15. No unauthorized people should ever be permitted in the wash tunnel or near the equipment at any time.

* * *

!! CAUTION !!

When a piece of equipment must be in operation during inspection or maintenance, one qualified technician must stay at the power disconnect switch while another qualified technician performs the inspection or maintenance.



Equipment Program - Manuals Central Vacuum Boom & Canopy Frame

INTRODUCTION

This Owner's Manual contains information that is vital to the successful installation, operation and maintenance of your SONNY'S vehicle washing equipment.

Please read, and understand, the full contents of this manual before installation and operation of the equipment. Keep this booklet in a location where it may be used for ongoing reference.

Should you have any questions on the operation or servicing of this equipment please contact

TECHNICAL SERVICES DEPT.
SONNY'S ENTERPRISES INC.
5605 Hiatus Road
TAMARAC, FLORIDA 33321

TELEPHONE: 800-327-8723 FAX: 800-495-4049

THANK YOU FOR YOUR CONFIDENCE IN SONNY'S !!!!!





Product Specifications

- Simple design for easy installation
- Available powder coated options
- Slotted holes on top beam allow angle to be adjusted for different configurations
- Quick connect attachment of hose to boom
- Pole mounted claw holder for energy savings
- Canopies that quickly attach or detach for easy installation and maintenance
- Point of use trash collector prevents clogging and allows easy cleanup

Beautiful and Easy to Maintain, Makes It Easier to Attract Customers

Problem:

You need to provide Free Vaccums to your customers with vacuum stations that allow for multiple vehicles.

Solved:

SONNY'S Vacuum Canopy is the perfect solution to all your vacuuming needs. It's simple design allows for easy installation and maintenance. Customers will have easy access to your vacuum stations and will be sheltered from harsh elements. The boom design keeps hoses securely off the ground providing better access to both sides of the vehicle and reducing wear and tear.



Vacuum booms with dual drops *without* canopies



Vacuum booms with dual drops with canopies

Configuring Your Vacuum System Canopies Is As Easy As 1, 2, 3

Simple Design For Easy Installation and Maintenance



1 Slotted holes on top beam design, allow angles to be adjusted for different configurations.

2 Vacuum hose easily attaches and detaches to booms using inlet vacuum with hose to valve adapter



3 The holster mounted to the post provides an air tight connection, reducing energy consumption and eliminating unnecessary air draw. This allows the crevice claw to always be "at the ready" for the customer.

4 Canopies quickly attach and detach for ease of installation and maintenance.



FIRST: Select The Number of Booms



Description	Price
Vacuum Canopy Boom	\$1,824.82

Material ID: VACUUM_BOOM



Protect & beautify your equipment with optional powder coating. Call for pricing.

SECOND: Select Your Vacuum Drop Kits



*Customize your perfect vacuum drop. Whether you want both a crevice and express claw tool on a dual drop or prefer a different inlet option, simply specify when ordering.

THIRD: Select Your Attachments



Cyclone Trash Collector



Trash Receptacle



CANOPY FABRIC COLORS

Designed to "breathe," our fabric allows cooling breezes to flow through, significantly reducing temperatures. Design specifically for use in tension fabric structures.



INSTALLATION

Plumbing

- For the 10HP, 15HP, 20HP & 25HP assemblies the Customer's Plumber is responsible to provide materials and installing the following;
- Interconnect from the suction connection on the separator tank to the vacuum hose drop lines. The following pipe sizes should be used for vacuum main suction lines;
- Hose drops short runs 4 inch.
- Hose drops long runs over 150 feet 6 inch for first 75 feet then drop to 4 inch.
- All piping turns should be with long sweep elbows NOT 90 degree elbows. Minimize the number of turns from the main line to the separator tank.
- All turn down piping from the main line to the vacuum hose drops should be with Tee-Y's and the hose fitting connection point on the "Y" shall be 2 inch for each drop.
- Vacuum producer exhaust piping should go to atmosphere when the vacuum assembly is located in an enclosed area not subject to cool free airflow. If exhaust piping to atmosphere is required it should be 4 inch in diameter and heat resistant for at least the first ten feet. Exhaust piping must be weather protected at its exit point.
- Aluminum piping available to meet code requirements

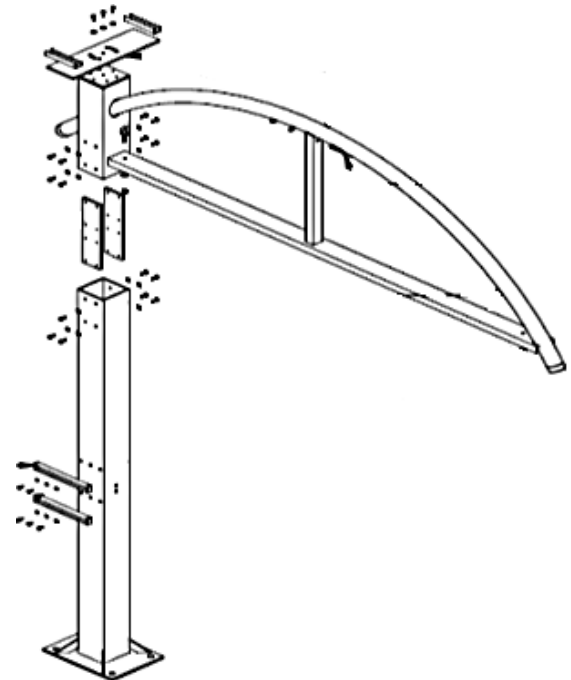
Equipment Installation

Utilities interconnection and the materials required for interconnection to Sonny's equipment are the responsibility of the customer!

Perform all trades work to all applicable local and national codes!

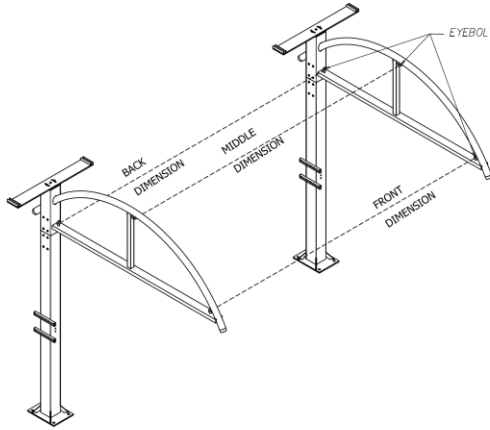
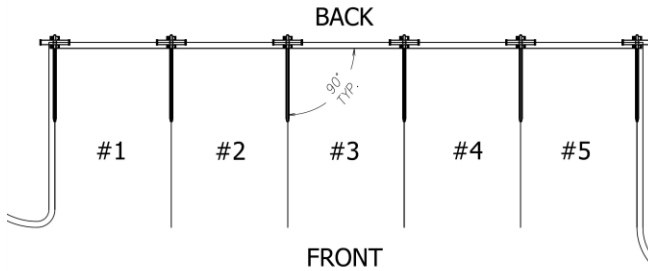
Mechanical

- Ensure that the mounting area for the boom can support the weight. See drawing on page 13 for recommended concrete footer.
- Insert the two plates into the top of the boom base and bolt into place.
- If using the recommended J-bolts place the bottom half of the boom onto the bolts.
- Turn the nut by hand until the unit is "snugged up".
- If mounting to an existing concrete pad, drill the four holes in the concrete for the boom arch using a hammer drill and a 3/4" carbide tipped masonry drill bit.
- Clear the hole of all debris, then place the wedge anchor through the hole in the boom footer, and hammer it in to the drilled hole, ensuring that they are installed to the desired depth.
- Turn the nut by hand until the unit is "snugged up".
- Bring the arch boom up and slide over the base plates and bolt into place.
- Once all bolts are in place, return to each boom and level the boom then tighten all bolts with a wrench.
- If installing optional canopy, install the included eye bolts in the pre-drilled holes.
- Refer to the drawings on the following pages to measure the canopy dimensions.



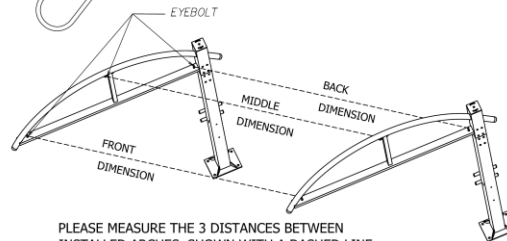
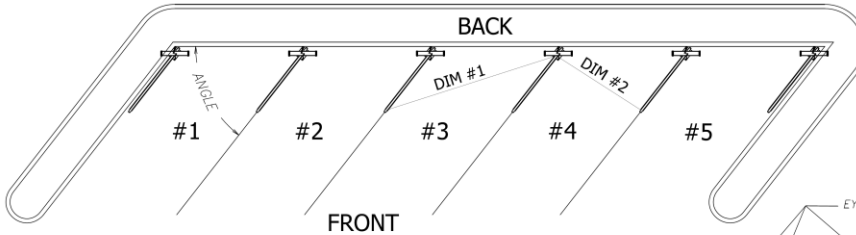


Equipment Program - Manuals Central Vacuum Boom & Canopy Frame



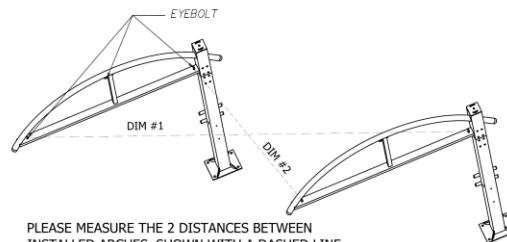
AWNING DIMENSIONS IN INCHES			
SPOT	FRONT DIM.	MIDDLE DIM.	BACK DIM.
#1			
#2			
#3			
#4			
#5			
#6			
#7			
#8			
#9			
#10			

PLEASE MEASURE THE 3 DISTANCES BETWEEN INSTALLED ARCHES, SHOWN WITH A DASHED LINE ON THE DRAWING



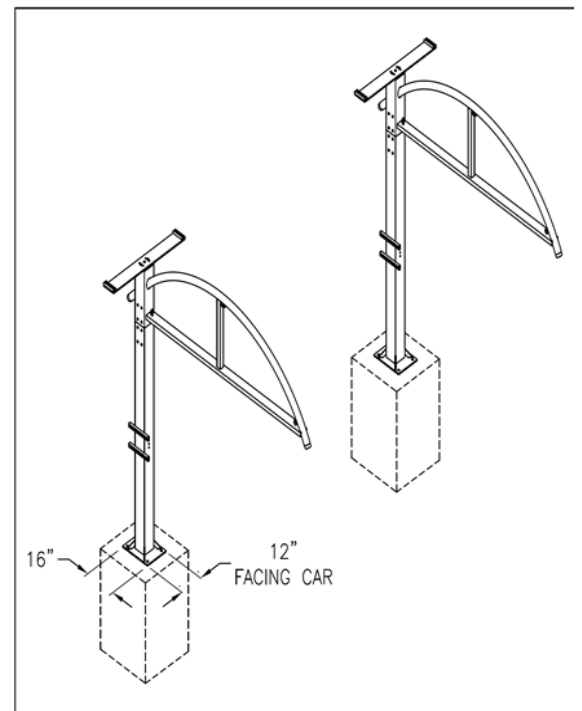
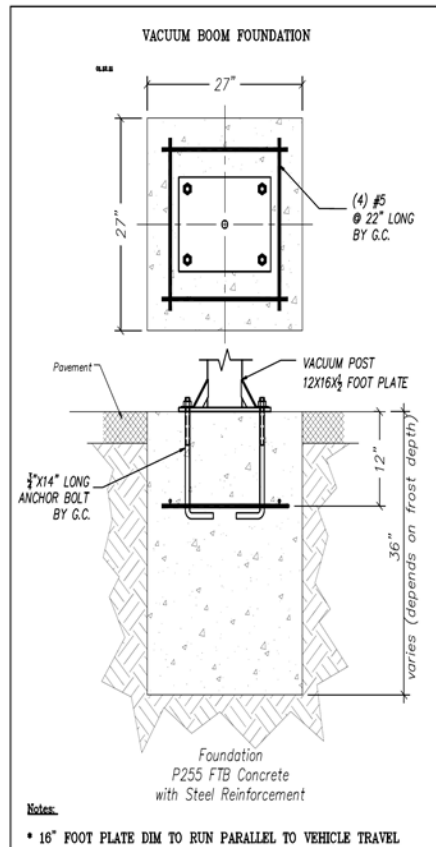
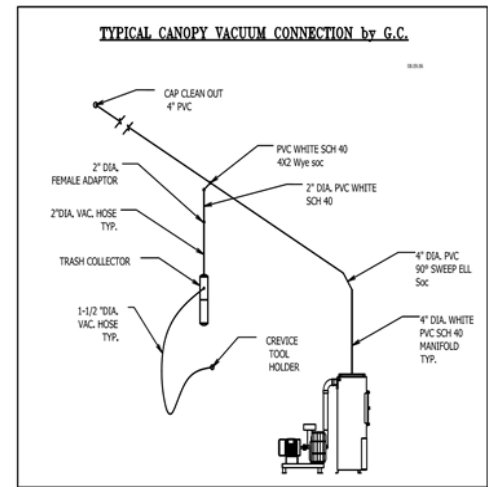
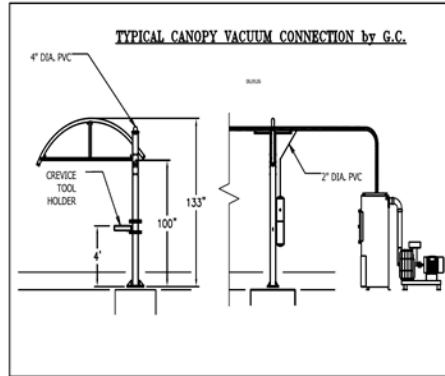
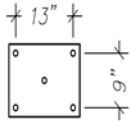
PLEASE MEASURE THE 3 DISTANCES BETWEEN INSTALLED ARCHES, SHOWN WITH A DASHED LINE ON THE DRAWING

AWNING DIMENSIONS IN INCHES					
SPOT	DIM #1	DIM #2	FRONT DIM.	MIDDLE DIM.	BACK DIM.
#1					
#2					
#3					
#4					
#5					
#6					
#7					
#8					
#9					
#10					



PLEASE MEASURE THE 2 DISTANCES BETWEEN INSTALLED ARCHES, SHOWN WITH A DASHED LINE ON THE DRAWING

Vacuum Boom Foot Plate Dim





Equipment Program - Manuals Central Vacuum Boom & Canopy Frame

GENERAL OPERATION

- Before beginning daily operation be certain that the point of use canister is empty.
- If air leaks are heard around the point of use canister check the seal on the quick dump.
- Unused vacuum hose drops must be firmly closed off at the vacuum tool mouth so that in-use vacuum hose drops operate efficiently.



Equipment Program - Manuals Central Vacuum Boom & Canopy Frame

WARRANTY

SONNY'S ENTERPRISES, INC. FACTORY LIMITED LIFETIME WARRANTY

Equipment manufactured by SONNY'S ENTERPRISES, INC. is warranted to be free from defect in material and workmanship. Welded metal framework and other non-moving, non-wearable fabricated metal components manufactured by SONNY'S are warranted for the life of the equipment to the original purchaser. Fabricated metal wearable surface and moving components manufactured by SONNY'S are warranted for a period of one (1) year to the original purchaser of the equipment.

All components assembled to SONNY'S equipment that are manufactured by others are warranted by the appropriate manufacturer and subject to that manufacturer's limited warranty. Contact SONNY'S for the specific information on other component manufacturer's warranty terms. All new cloth shipped with new SONNY'S equipment is warranted for a period of one (1) year or 80,000, whichever occurs first.

This warranty is not assignable or transferable. The warranty period begins the first day following installation or 30 days from the original invoice date, whichever occurs first. The Seller's liability shall be limited to repair or replacement of materials found to be defective within the warranty period. In the event of repair or replacement this limited warranty is noncumulative. The Purchaser must supply the Seller with immediate written notice when any defects are found. The Seller shall have the option of requiring the return of defective material to establish the Purchaser's claim. Neither labor nor transportation charges are included in this warranty. Transportation damage claims are to be submitted to the carrier of the damaged materials.

This warranty is based upon the Purchaser's reasonable care and maintenance of the warranted equipment. It does not apply to any equipment which has been subject to misuse, including neglect, accident or exposure to harsh chemicals or chemicals that react violently with: water, organic acids (e.g. acetic acid), inorganic acids (e.g. hydrofluoric acid), oxidizing agents (e.g. peroxides), and metals (e.g. aluminum). Chemicals corrosive to: aluminum alloys, carbon steel, and other metals. Nor does it apply to any equipment which has been repaired or altered by anyone not so authorized by SONNY'S. Further, the equipment must be properly installed with proper accuracy of all specified plumbing, electrical, and mechanical requirements. This warranty does not apply to normal wear and tear or routine maintenance components.

EXCEPT AS EXPRESSLY STATED HEREIN, SONNY'S SHALL NOT BE LIABLE FOR DAMAGES OF ANY KIND IN CONNECTION WITH THE PURCHASE, MAINTENANCE, OR USE OF THIS EQUIPMENT INCLUDING LOSS OF PROFITS AND ALL CLAIMS FOR CONSEQUENTIAL DAMAGES. THE LIMITED WARRANTY EXPRESSED HEREIN IS IN LIEU OF ALL OTHER WARRANTIES EXPRESSED OR IMPLIED. SONNY'S NEITHER ASSUMES NOR AUTHORIZES ANY PERSON TO ASSUME FOR IT ANY OTHER OBLIGATION OR LIABILITY IN CONNECTION HERewith.



Equipment Program - Manuals Central Vacuum Boom & Canopy Frame

CUSTOMER SERVICE

Please contact SONNY'S Equipment Department for installation and/or operational questions regarding this piece of equipment.

Please refer to the Parts Catalog and contact SONNY'S Customer Service Order Entry Department for any replacement parts for this piece of equipment.

You can also visit the web at www.SonnysDirect.com.

DEPARTMENT

Toll Free Main Line
Equipment Department

PHONE NUMBERS

800-327-8723
954-720-4100

FAX NUMBERS

800-495-4049
954-720-9292

Or you can email Sales at sales@SonnysDirect.com

Thank you for being a SONNY'S car wash equipment owner!

From all of us here at

