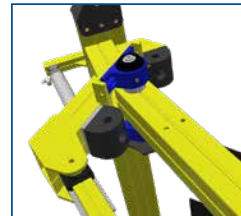


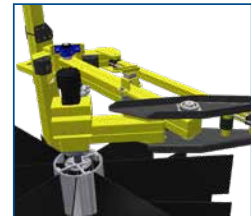
Sonny's Dual Action Grill Brush™. Shown with Optional Powder Coating

Sonny's Dual Action Grill Brush

Sonny's Dual Action Grill Brush™ is like two washers in one with bug busting power. It follows and cleans the complete front of the vehicle safely, before washing side surfaces like a standard 50in brush.



Half-round bumper stops for solid contact when fully retracted or engaged



4-bar linkage allows brush to fold in – saving 2 feet of tunnel length over previous design

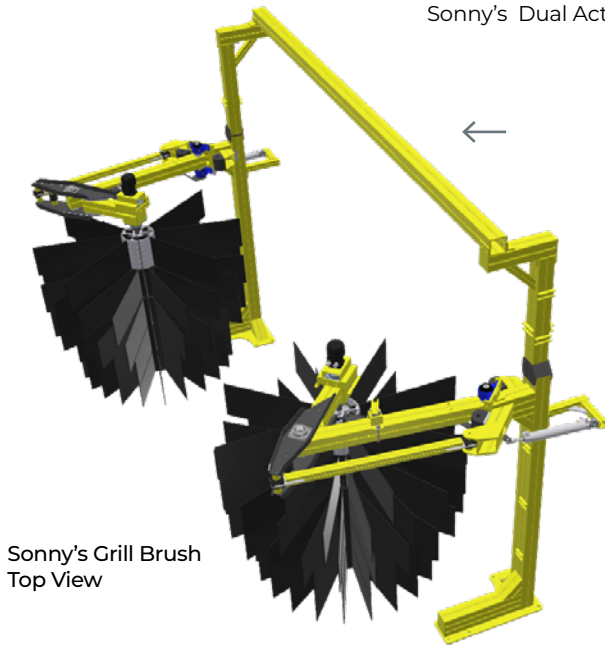
- Cannot bend license plates since they rotate "at" the vehicle in the opposite rotation of a Wrap-Around Washer
- Includes full retract capability along with a pre-plumbed crossover arch for easy installation
- Multi-tiered hub delivers optimal penetration and movement - permitting a single side washer to remove heavy rocker panel dirt while delivering deep gentle cleaning to contoured sides and mirror backs
- Simple pneumatic controls for precise wash penetration adjustment and gentle retract

Sonny's Dual Action Grill Brush™

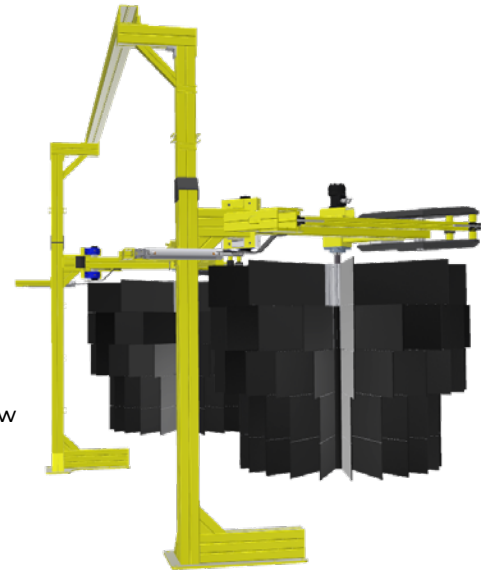
Description	Material
Sonny's Dual Action Grill Brush	NeoGlide Hush

w/Crossover Arch	
Hydraulic	Electric
\$13,073.00	\$14,559.74

Material ID: BRUSH_TM_G_V1.0



Sonny's Grill Brush Top View



Sonny's Grill Brush Side View

Specifications

Footprint Length	138in
Footprint Width	156in
Unit Height	116in
Vehicle Clearance	1123in
Water Inlet	1/2in
Hydraulic Option	4GPM Per Motor
Electric Option	1HP 3-Phase 208-460V

Hub Configuration

	Inch
Top Hub Diameter	6in
Middle Hub Diameter	10in
Bottom Hub Diameter	12in
Top Hub Slots	28 slots
Middle Hub Slots	36 slots
Bottom Hub Slots	44 slots

SF50 Front Grill Brush Retrofit Kit

This kit comes with four double roller bearings and redesigned primary arms and legs to update your existing Grill Brush to Sonny's latest design for more effective and gentler cleaning on the front of vehicles.

Item #	Description	Price
20003608	Grill Brush, SF50 Retro Kit	\$4,769.00



Legs
(1) DS, (1) PS



Primary Arms
(1) DS, (1) PS



Bearings
(2) DS, (2) PS