



# TBG300 Tire Seal Machine™

Sonny's TBG300 Tire Seal Machine™ delivers a perfectly dressed tire—from the lowest profile performance tire to the tallest truck tire—every time. This eliminates labor and allows exterior-only car washes to participate in the highly profitable tire dressing business.

## Features

- Lower clearance to reduce run-over from larger trucks with wider clearance, fewer bearings and grease points.
- Long-lasting brush design delivers full application on both large and small tires while consuming less tire dressing.
- Stainless steel manifold with precision laser-cut holes for more even chemical distribution and consistent application.

## Specifications

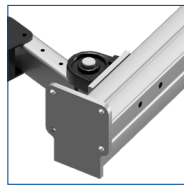
Footprint Length	184in / 196in
Footprint Width	144in
Motor	Hydraulic or Electric



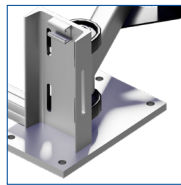
TBG300™ frame shown with optional Powder Coating



Height adjustable extended Banana Peel Guide Rails deliver lower clearance for safer operation.



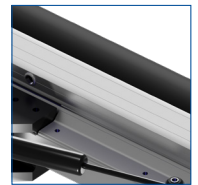
Arch attachment mounting option



Floor mount option



Greasless UHMW Bearings



Hinged chemical manifold cover for easy access

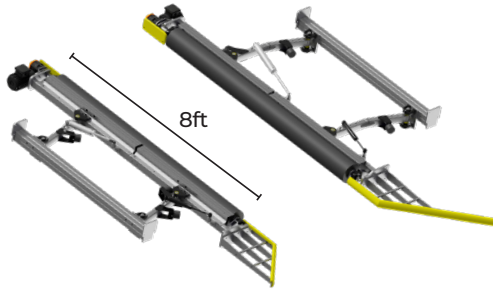
**CUSTOM COLOR POWDER COATING OPTION**  
Contact a Sonny's Sales Representative for details.



**Call 1-800-327-8723 to Order**

Join Sonny's  
**OneWash**  
and Save

Get Exclusive Member Benefits!  
[SonnyDirect.com/onewash](http://SonnyDirect.com/onewash)



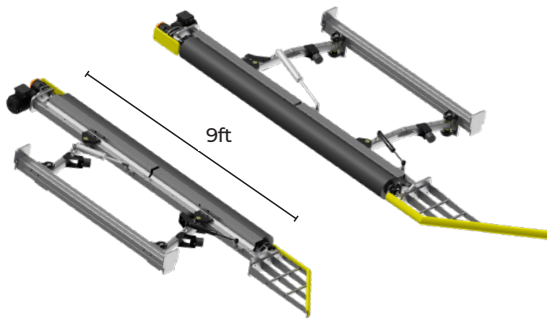
## TBG300 8ft Tire Seal Machine™

Footprint Length	Footprint Width	Hydraulic Option	Electric Option
184in	144in	6GPM	1HP 3-Phase 208-460V

Floor Mount*	Hydraulic	Electric
Tire Seal Machine™, Supersoft.8ft Long	<b>\$15,669.00</b>	<b>\$17,106.00</b>

Attachment*	Hydraulic	Electric
Tire Seal Machine™, Supersoft. 8ft Long	<b>\$15,739.00</b>	<b>\$17,176.00</b>

\*Does not include Tire Seal Chemical Panel      Material ID: TIRE\_SEAL\_V1.0



## TBG300 9ft Tire Seal Machine™

Footprint Length	Footprint Width	Hydraulic Option	Electric Option
196in	144in	6GPM	1HP 3-Phase 208-460V

Floor Mount*	Hydraulic	Electric
Tire Seal Machine™, Supersoft. 9ft Long	<b>\$19,340.00</b>	<b>\$21,149.00</b>

Attachment*	Hydraulic	Electric
Tire Seal Machine™, Supersoft. 9ft Long	<b>\$19,410.00</b>	<b>\$21,219.00</b>

\*Does not include Tire Seal Chemical Panel      Material ID: TIRE\_SEAL\_V1.0



## TBG300 Belt Friendly™ Tire Seal Machine™

Designed for use with conveyor belt and in-bay automatic car washes. It has extended arms on both driver and passenger sides to assure proper vehicle alignment.

Footprint Length	Footprint Width	Hydraulic Option	Electric Option
194in	144in	6GPM	<b>1HP 3-Phase 208-460V</b>

Floor Mount*	Hydraulic	Electric
Tire Seal Machine™, Supersoft. 8ft Long	<b>\$17,749.00</b>	<b>\$18,668.00</b>

Tire Seal Machine™, Supersoft 9ft Long	<b>\$21,059.00</b>	<b>\$22,961.00</b>
--	--------------------	--------------------

\*Does not include Tire Seal Chemical Panel      Material ID: TIRE\_SEAL\_NC



## Tire Link™

Ensure every tire drives away with a long-lasting, high-gloss shine. Tire-Link system uses the perfect amount of chemistry and offers improved control to smoothly extend and retract the brushes.

Description	Price
Tire Link System	<b>\$4,500.00</b>