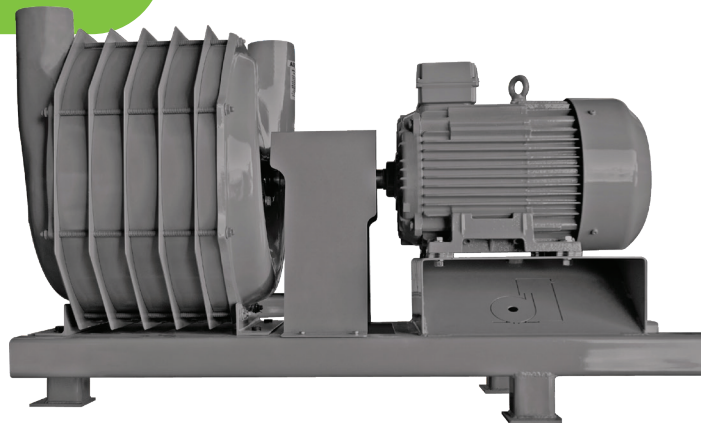
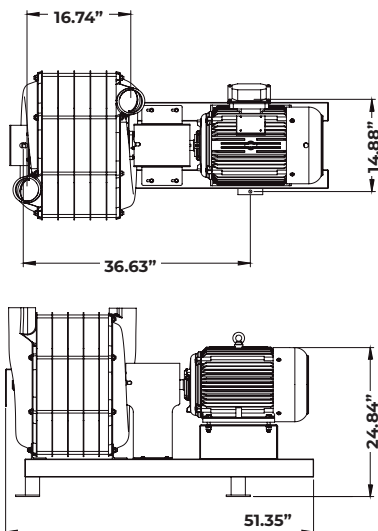


# 400 Series Vacuum Producers

The Sonny's 400 Series Centrifugal Vacuum Producer is manufactured completely in-house in accordance with strict production standards to deliver years of reliable performance with very little maintenance. Featuring a 4-inch multistage exhauster, the 400 Series is available from 10 to 25HP to support 1 to 8 simultaneous users. Combine with our vacuum filter separator, engineered piping, and customized motor controls for a reliable high-performance vacuum system to maximize customer experience.


## Features

- Aluminum head castings with 4-inch exhaust for strength, durability and heat dissipation.
- Dynamically balanced, 6061-T6 aircraft grade aluminum impellers.
- Motors and couplings can be serviced without removing the turbine blower section.



## Specifications

<b>Voltage</b>	208V / 230V / 460V / 575V
<b>Materials</b>	Turbine: Aluminum Cast Motor: Cast Iron Impeller: Aluminum
<b>Finish</b>	Automotive-grade paint

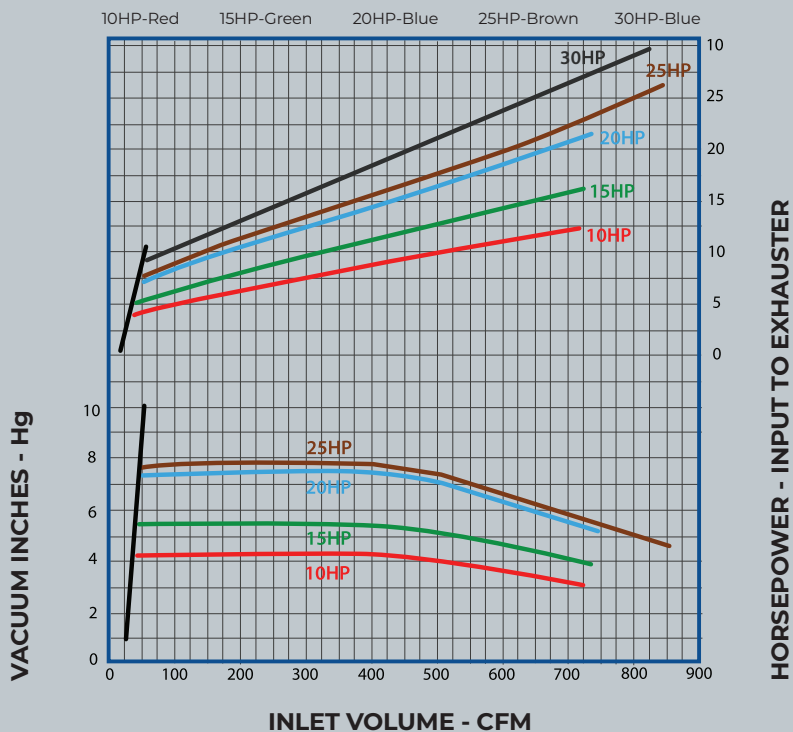
 **CUSTOM COLOR OPTION AVAILABLE**  
Contact a Sonny's Sales Representative for details.

**Call 1-800-327-8723 to Order**

Join Sonny's  
**OneWash**  
and Save

Get Exclusive Member Benefits!  
[www.sonnysdirect.com/onewash](http://www.sonnysdirect.com/onewash)

## Performance Inlet Curves Centrifugal Exhauster



Reflects atmospheric conditions of a "normal day" of 29.92 Hg, 68° F, sea level.



## Performance Features



### EASY MAINTENANCE

Motors and couplings can be serviced without removing the turbine blower section.



### CONSISTENCY

Dynamically balanced aircraft-grade aluminum impellers for quiet performance.



### STABILITY

4-bearing support on both shaft ends reduces vibration, noise and wear to improve reliability.



### DURABILITY

Cast iron TEFC drive motor with Surefit polyurethane couplers for trouble-free operation.

## Sonny's 400 Series Vacuum Producer Series | Standard 3 Phase

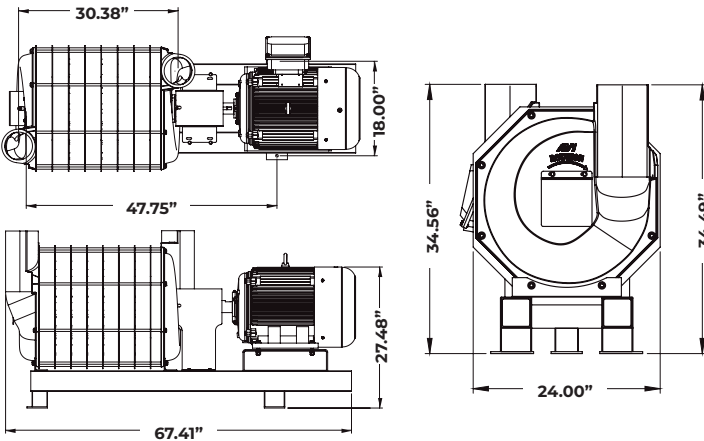
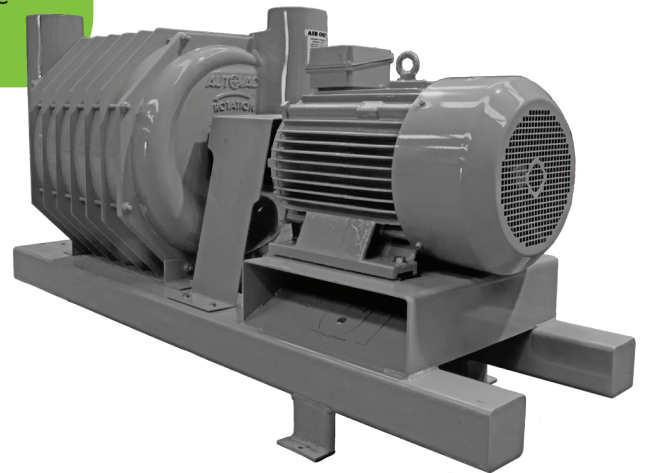
Item No.	Total Simultaneous Users. 15'x1-1/2" Dia. Vac Hose	Power @3600 RPM	Stages	Noise at 10 Feet	Frame Dimensions	Price
213-234001	3-4 Users	10HP	3	70 dB	38in	<b>6,081.60</b>
213-344001	4-5 Users	15HP	4	71 dB	48in	<b>6,767.74</b>
213-454001	5-6 Users	20HP	5	72 dB	48in	<b>7,669.80</b>

# 600 Series Vacuum Producers

The Sonny's 600 Series Centrifugal Vacuum Producer is manufactured completely in-house in accordance with strict production standards to deliver years of reliable performance with very little maintenance. Featuring a 6-inch multistage exhauster, the 600 Series is available from 25 to 40HP to support 7 to 13 simultaneous users. Combine with our vacuum filter separator, engineered piping, and customized motor controls for a reliable high-performance vacuum system to maximize customer experience.

## Features

- Aluminum head castings with 6-inch exhaust for strength, durability and heat dissipation.
- Dynamically balanced, 6061-T6 aircraft grade aluminum impellers.
- Motors and couplings can be serviced without removing the turbine blower section.



## Specifications

<b>Voltage</b>	208V / 230V / 460V / 575V
<b>Materials</b>	Turbine: Aluminum Cast
	Motor: Cast Iron
	Impeller: Aluminum
<b>Finish</b>	Automotive-grade paint



**CUSTOM COLOR OPTION AVAILABLE**  
Contact a Sonny's Sales Representative for details.

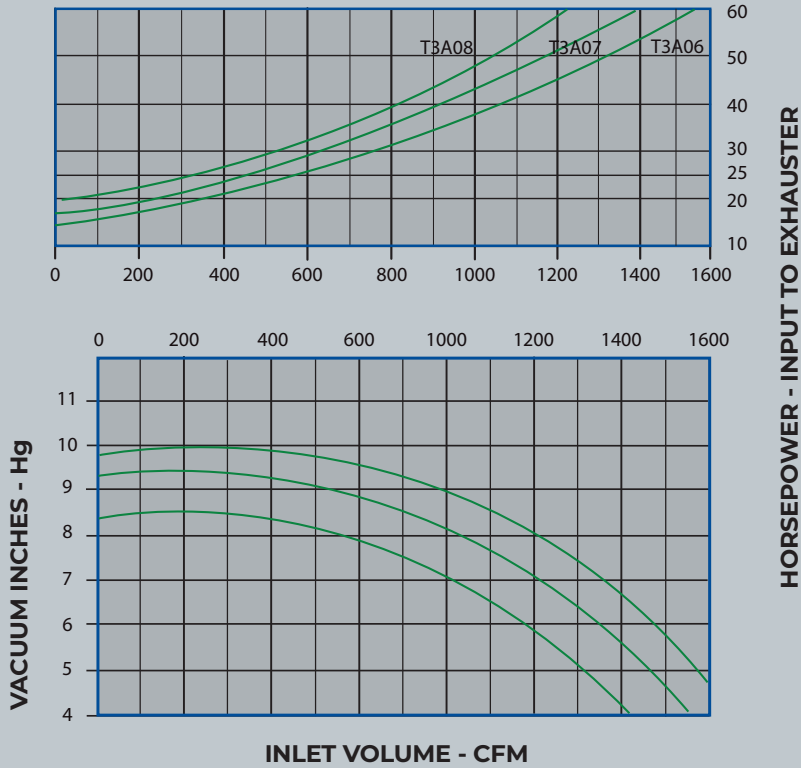
**Call 1-800-327-8723 to Order**

Join Sonny's  
**OneWash**  
and Save

Get Exclusive Member Benefits!  
[www.sonnysdirect.com/onewash](http://www.sonnysdirect.com/onewash)



## Performance Inlet Curves Centrifugal Exhauster



Reflects atmospheric conditions of a "normal day" of 29.92 Hg, 68° F, sea level.



## Performance Features



### EASY MAINTENANCE

Motors and couplings can be serviced without removing the turbine blower section.



### CONSISTENCY

Dynamically balanced aircraft-grade aluminum impellers for quiet performance.



### STABILITY

4-bearing support on both shaft ends reduces vibration, noise and wear to improve reliability.



### DURABILITY

Cast iron TEFC drive motor with Surefit polyurethane couplers for trouble-free operation.

## Sonny's 600 Series Vacuum Producers Series | Standard 3 Phase

Item No.	Total Simultaneous Users*	Power @3600 RPM	Stages	Noise at 10 Feet	Frame Dimensions	Price
214-564001	7-8 Users	25HP	6	72 dB	56.5in	<b>9,865.76</b>
214-674001	9-10 Users	30HP	7	74 dB	56.5in	<b>11,782.45</b>
214-784001	11-13 Users	40HP	8	76 dB	62.5in	<b>17,628.98</b>

\* Using 15' x 1-1/2in Diameter vacuum hose in every drop