



3HP



5HP



7.5HP

Sonny's Power Packs with Vickers Vane® Pumps

Sonny's Hydraulic Power Packs feature durable Vickers Vane pumps engineered to excel in the harsh environment of a professional car wash. They deliver reliable performance day after day with minimal maintenance.



One Flow



Two Flow



Three Flow

All Power Packs come complete with:

- Sight glass & temperature gauge
- Return line filter
- Filter breather
- Clean-out cover(s)
- Suction strainer
- System relief
- Pressure-compensated flow control
- Pressure gauge
- Low level switch
- Vickers Vane pump on 5HP through 10HP packs
- Vickers Gear pump on 3HP packs

Forward thinking Equipment

3HP Power Packs 11 Gallon Reservoir

- 3HP / 208V / 230V / 460V
- 3-Phase / 60Hz with "C" face coupling & adapter

Description	GPM	Price*
Power Pack, 3HP 5GPM	5	\$2,272.00

Specifications

	3HP Inches
Footprint Length	28in
Footprint Width	17in
Height (including motor)	22in
Tank capacity 11gal	

5HP Power Packs 25 Gallon Reservoir

- 5HP / 208V / 230V / 460V
- 3-Phase / 60Hz with / Direct Drive

Description	GPM	Price*
Power Pack, 5HP 7.5GPM 1 Flow	7.5	\$2,851.00
Power Pack, 5HP 7.5GPM 2 Flow	7.5	\$3,029.00
Power Pack, 5HP 7.5GPM 3 Flow	7.5	\$3,305.00

Specifications

	5, 7.5 and 10HP Inches
Footprint Length	34in
Footprint Width	18in
Height (including motor)	36in
Tank capacity 25gal on 5, 7.5 and 10HP motors	

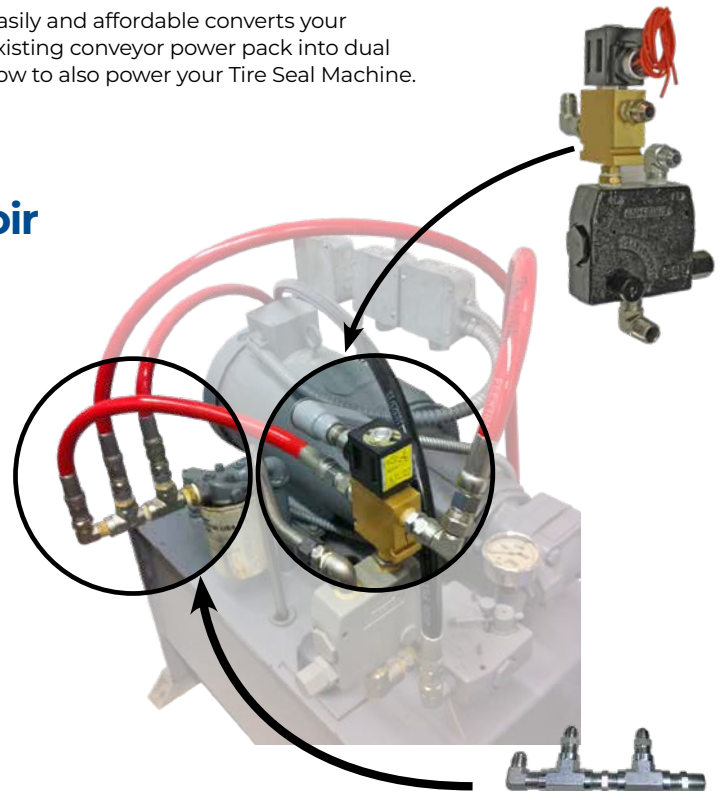
7.5HP Power Packs 25 Gallon Reservoir

- 7.5HP / 208V / 230V / 460V
- 3-Phase / 60Hz / Direct Drive

Description	GPM	Price*
Power Pack, 7.5HP 10.5GPM 1 Flow	10.5	\$3,321.00
Power Pack, 7.5HP 10.5GPM TWIN	Twin	\$5,570.00
Power Pack, 7.5HP 10.5GPM 2 Flow	10.5	\$3,548.00
Power Pack, 7.5HP 10.5GPM 3 Flow	10.5	\$3,775.00

Sonny's Tire Seal Machine Hydraulic Power Pack Conversion

Easily and affordably converts your existing conveyor power pack into dual flow to also power your Tire Seal Machine.



10HP Power Packs 25 Gallon Reservoir

- 10HP / 208V / 230V / 460V
- 3-Phase / 60Hz / Direct Drive

Description	GPM	Price*
Power Pack, 10HP 12.3GPM 1 Flow	12.3	\$3,364.00
Power Pack, 10HP 12.3GPM Twin	Twin	\$5,622.00
Power Pack, 10HP 12.3GPM 2 Flow	12.3	\$3,591.00
Power Pack, 10HP 12.3GPM 3 Flow	12.3	\$3,818.00

Custom-Made Power Packs and Proportioners Available



*Add \$81 per set of stacking legs