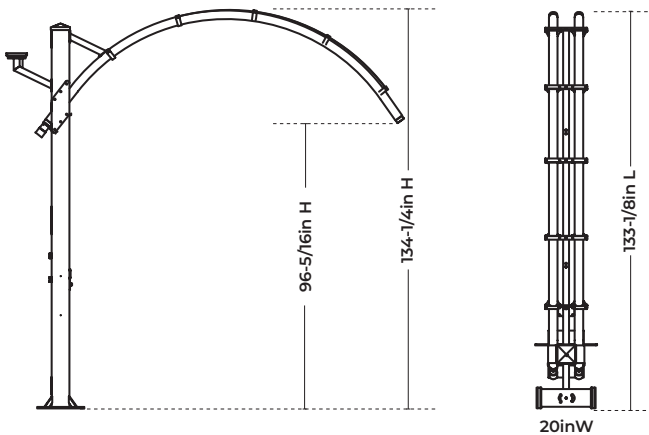
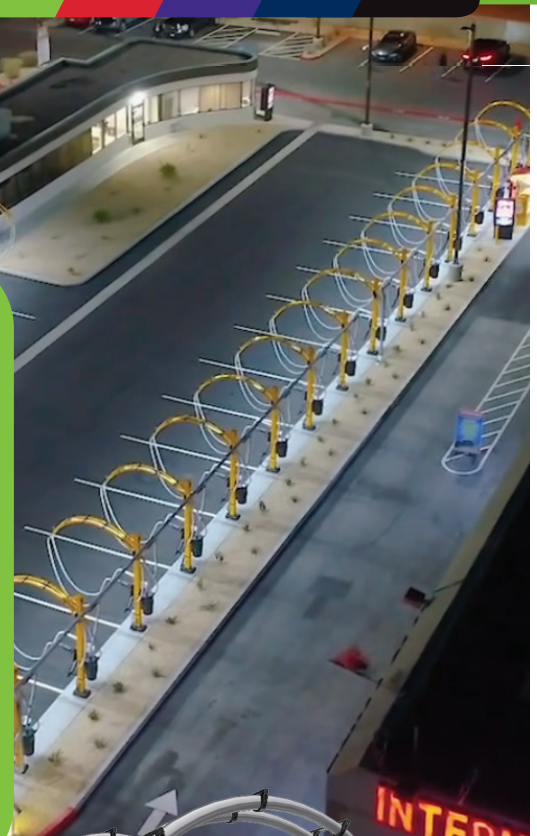


# Double-Drop Vacuum Boom


## Features

- Elegant form follows bullet-proof function with separate lines to reduce any potential for clogs.
- Simplified installation and maintenance with integrated canopy ties. Keeps hoses securely off the ground to reduce wear.
- Maximize customer experience with canopies, accessories, LED lighting, separators, and custom colors to support your brand.



Description	Price
Double-Drop Vacuum Boom with Powder Coating	4,004.00
Material ID: VACUUM_BOOM_DOUBLE	



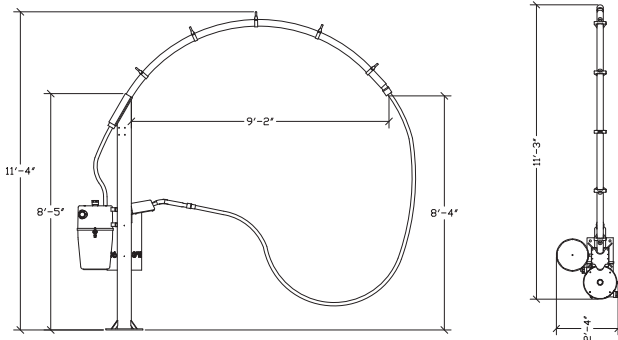
 **CUSTOM COLOR OPTION AVAILABLE**  
Contact a Sonny's Sales Representative for details.



# VAC2500 Vacuum Boom

## Features

- Sleek and modern appearance that's easy to install and easy to maintain.
- Minimal maintenance structure that keeps hoses securely off the ground. Dual drop wye fixture for clog-free performance.
- Maximize customer experience with canopies, accessories, LED lighting, separators, and custom colors to support your brand.



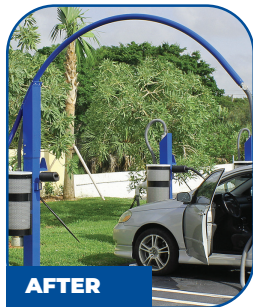
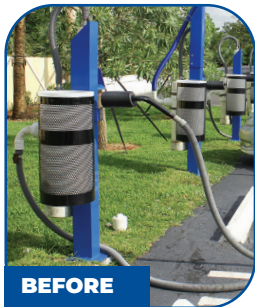
Description	Price
VAC2500 Boom with Powder Coating	<b>2,453.00</b>
Material ID: VACUUM_BOOM_2500	


## Retrofit Existing Post with a Boom Attachment

Attach boom to existing VAC1100 bottom feed post. Includes: Bottom attachment, hardware to attach to existing VAC1100 Post and Powder Coating. Requires: 1-1/2 or 2in Hose and Cuffs and Crevice or claw attachment with hanger.

Specifications	Standard	Metric
Height	72in	<b>1.82m</b>
Dimensions	6in x 6in	<b>152mm x 152mm</b>
Base	12in x 16in	<b>305mm x 406mm</b>
Anchor Points	4 @1/2in	<b>4 @2.7mm</b>

Description	Price
Vacuum, Boom Attachment for VAC1100	<b>801.86</b>



 **CUSTOM COLOR OPTION AVAILABLE**  
Contact a Sonny's Sales Representative for details.

**Call 1-800-327-8723 to Order**

Join Sonny's **OneWash** and Save  Get Exclusive Member Benefits!  
[www.sonnysdirect.com/onewash](http://www.sonnysdirect.com/onewash)

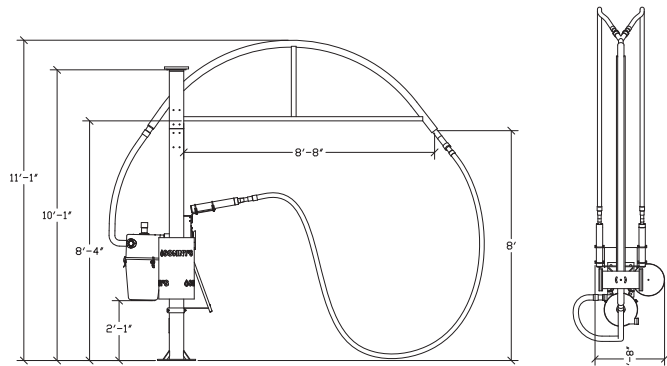




# 65° Vacuum Boom

## Features

- Durable design with integrated cross bar for signage, lighting, and canopy mounting flexibility.
- Minimal maintenance structure that keeps hoses securely off the ground. Dual drop wye fixture for clog-free performance.
- Maximize customer experience with canopies, accessories, LED lighting, separators, and custom colors to support your brand.



Description	Price
65° Vacuum Boom with Powder Coating	<b>3,085.00</b>
Material ID: VACUUM_BOOM	

Top Feed



Bottom Feed



## VAC1100 Post

Top and bottom feed vacuum post. Requires 1-1/2 or 2in Hose and Cuffs. Crevice or claw attachment with hanger. Optional trash receptacle, bracket and liner, Cyclone Separator Point-of-Use Separator and Powder Coating.

Description	Price
Vacuum, VAC1100 Top Feed Post	<b>634.69</b>
Vacuum, VAC1100 Bottom Feed Post	<b>592.05</b>
Material ID: VACUUM_POST	



**CUSTOM COLOR OPTION AVAILABLE**  
Contact a Sonny's Sales Representative for details.