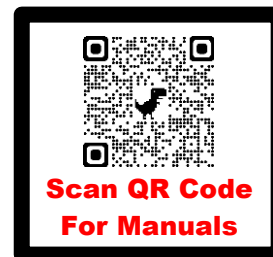
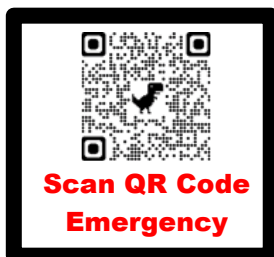
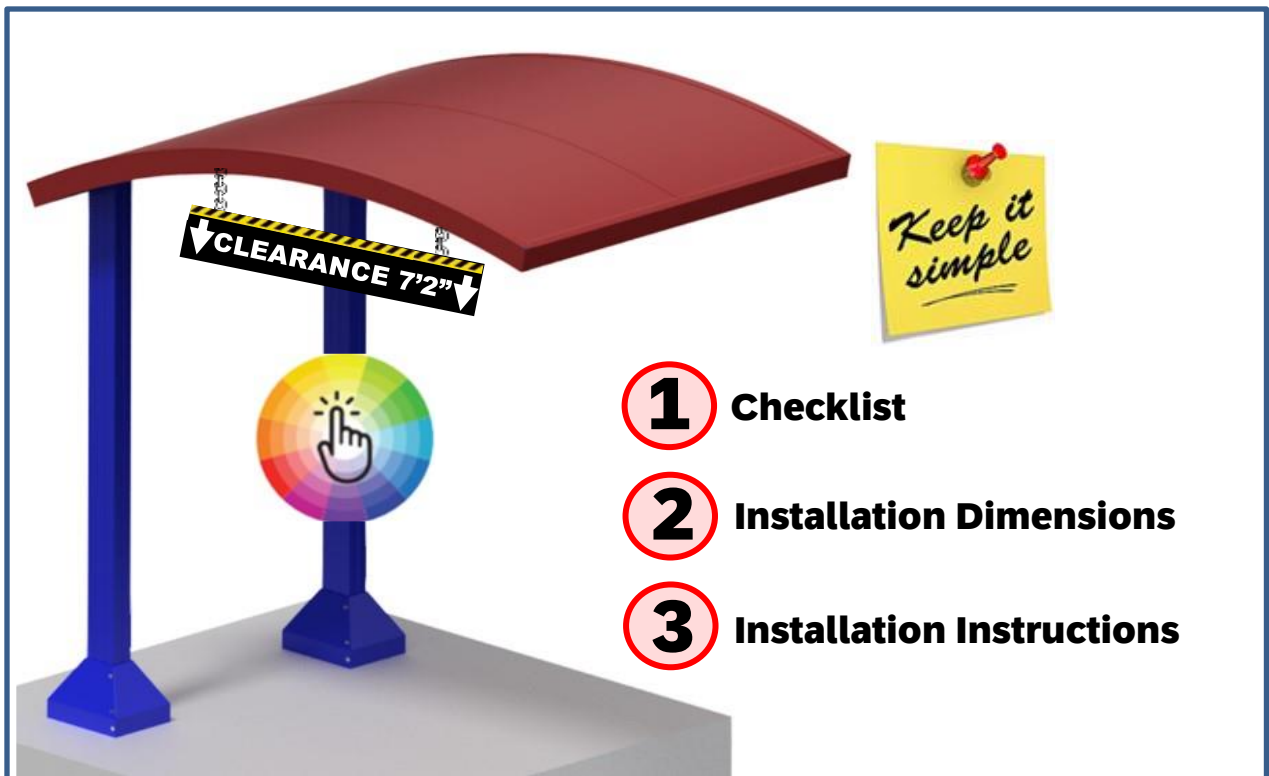


Work Force: 2 Technicians*
Installation: 2 Hours

QUICK START



Curved Canopy Installation Instructions



* All parts and components **MUST** be installed by experienced and trained technicians.

The **Quick Start** is a Summary Overview of the Installation Instructions. For detail instructions and Important Safeguards and Warnings, the Owner's Manual **MUST** be referenced online at SonnysDirect.com under Support Tab.

CHECKLIST



Impact Gun

Socket Set

Screwdriver

Combo
Wrenches

Wire Cutter

Tape Measure

Anti-Seize

2 Ladders or
Forklift



WARNING: Make sure to follow Local and State Safety Wear Required Regulations to ensure the safety of all personnel. Failure to follow Safety Regulations may result in personal injury, death and/or dismemberment.



WARNING: No climbing or standing on curved canopy.



**Prevent
Injury**



WARNING: Remove curved canopy when high winds are expected.



**Qualified
Technician**



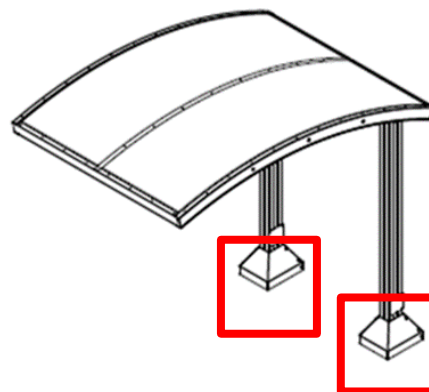
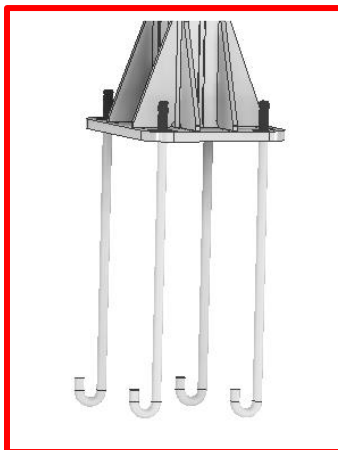
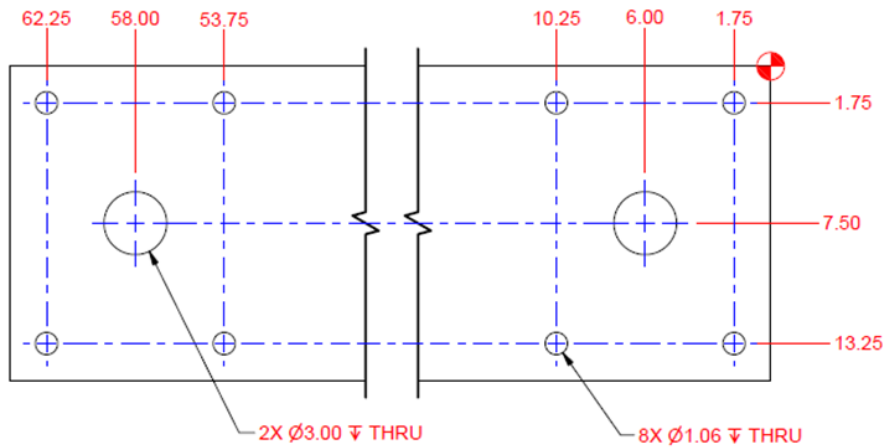
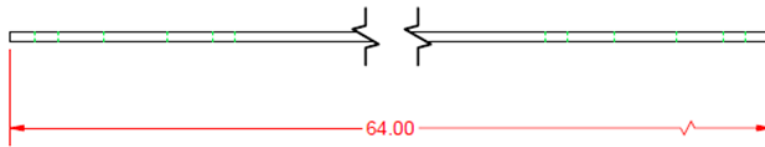
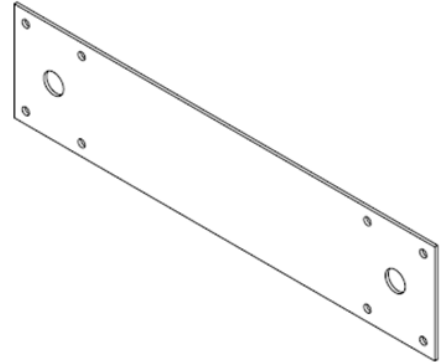
All connections and repairs MUST ONLY be performed by Licensed Professionals. Perform all trade work in compliance with all applicable local and national codes.

The Customer's Electrician is responsible for the installation of the optional 6' Bendable Boom Light with Cable.

INSTALLATION DIMENSIONS

**For J-Bolt Installation
Use Template**

**1"- 8 Grade 5
Galvanized J-Bolt**

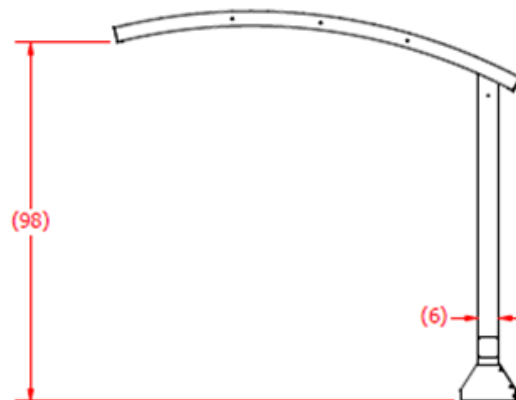
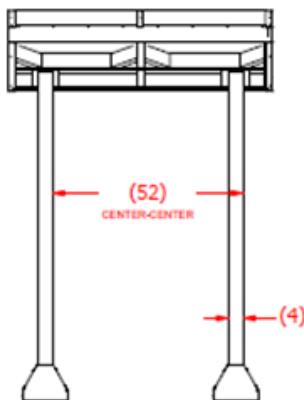
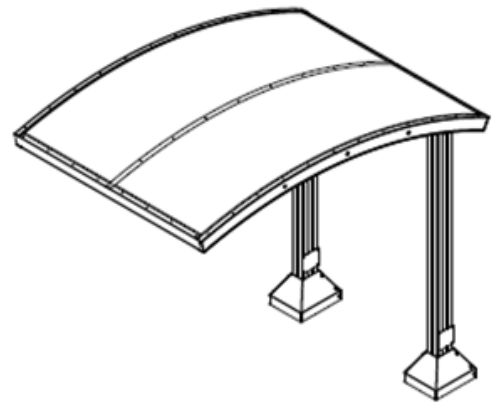
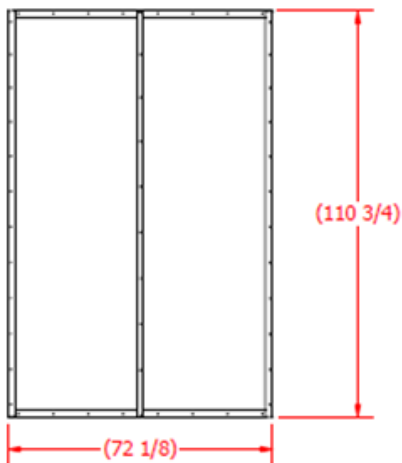


4 J-Bolts per Foot Post

INSTALLATION DIMENSIONS



IMPORTANT: If the Equipment Installation Dimensions at the time of installation are **NOT** measured correctly, it may result in equipment damage and/or failure.



Sonny's and Sonny's The CarWash Factory are registered trademarks of Sonny's Enterprises LLC
Products mentioned herein are for identification purposes only and may be registered trademarks of their respective companies.
All other brand names, trademarks or registered trademarks are the property of their respective owners.

© 2021 SONNY'S The CarWash Factory®. All Rights Reserved.

SonnysDirect.com

This document is confidential and proprietary to SONNY'S and cannot be used, disclosed, or published without prior written consent. Content, prices, and availability subject to change without notice.

INSTALLATION INSTRUCTIONS

High End

52.00 CENTER-CENTER

1 Apply Anti-Seize To All J-Bolts

2 Install Legs Onto J-Bolts Anchored In Concrete With High End Facing Desired Shaded Area

3 Install 1" Flat Washers and Two 1" Nuts Onto J-Bolts, Level, Square and Hand Tighten Bolts

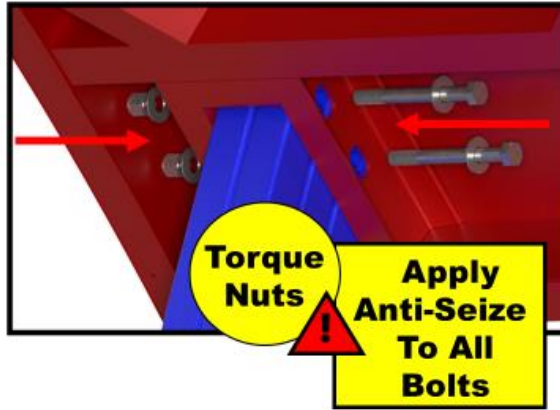
4 Make Sure Legs Are Level and Square With A Center-to-Center Distance of 52"

5 Once Leveled and Squared, Allow Movement In Slots During Canopy Install

6 Lift Canopy With 2 Ladders Or Forklift and Take Precaution to Prevent Paint Damage

OR

INSTALLATION INSTRUCTIONS



7 **Position Canopy Top So Rectangular Pockets Align With 4 X 6 Leg, Slowly Lower Into Pocket and Insert 6" Bolts Through Flat Washers, Slot Legs, Flat Washers, Attach Nuts and Torque Down Until Tight.**

8 **Once Canopy Top Is Securely Attached to Legs, Torque J-Bolt Nuts Down Until Tight. Place Foot Covers Over Base and Screw Together With Sidewalk Bolts Provided in Kit.**

