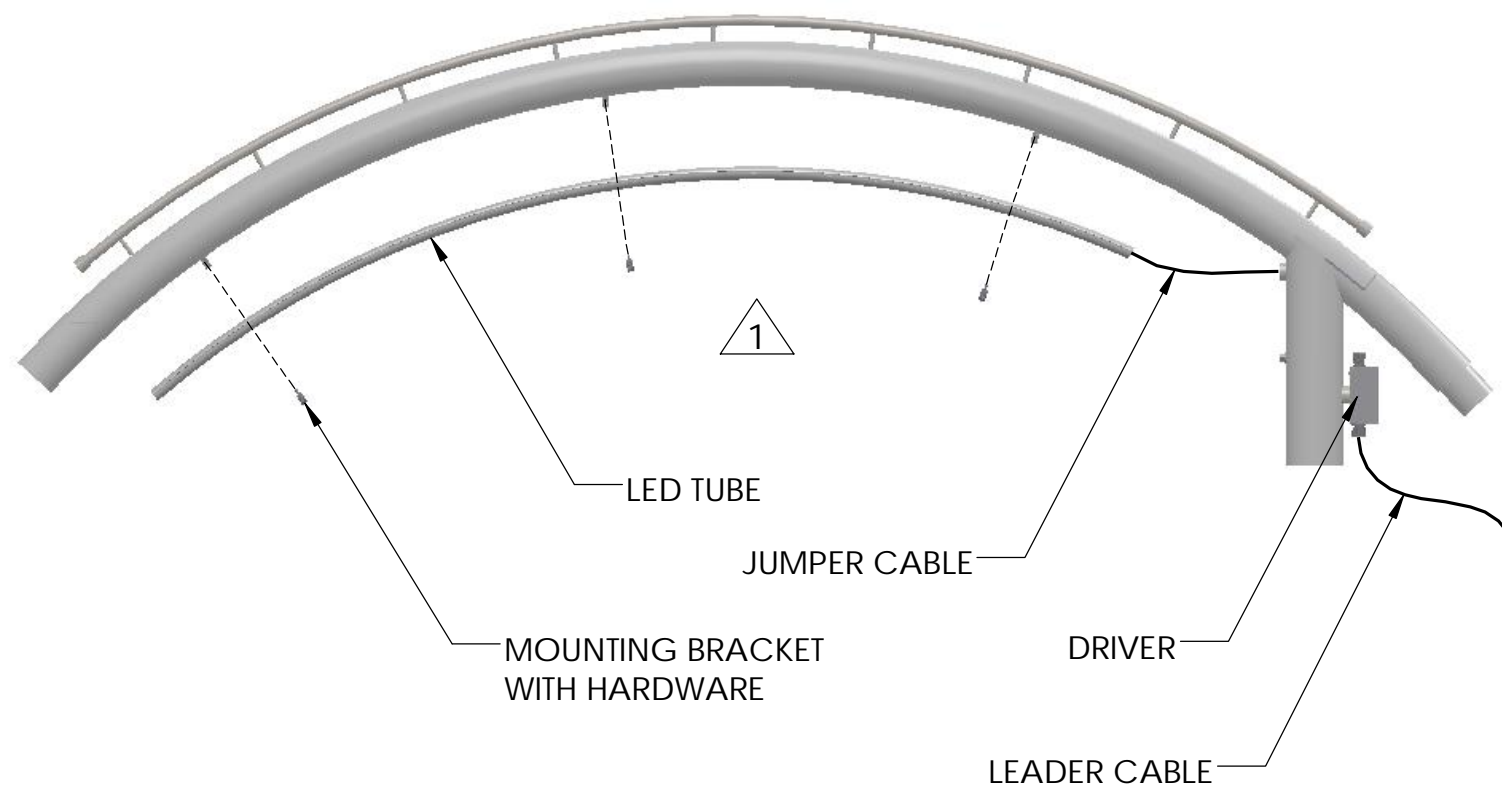


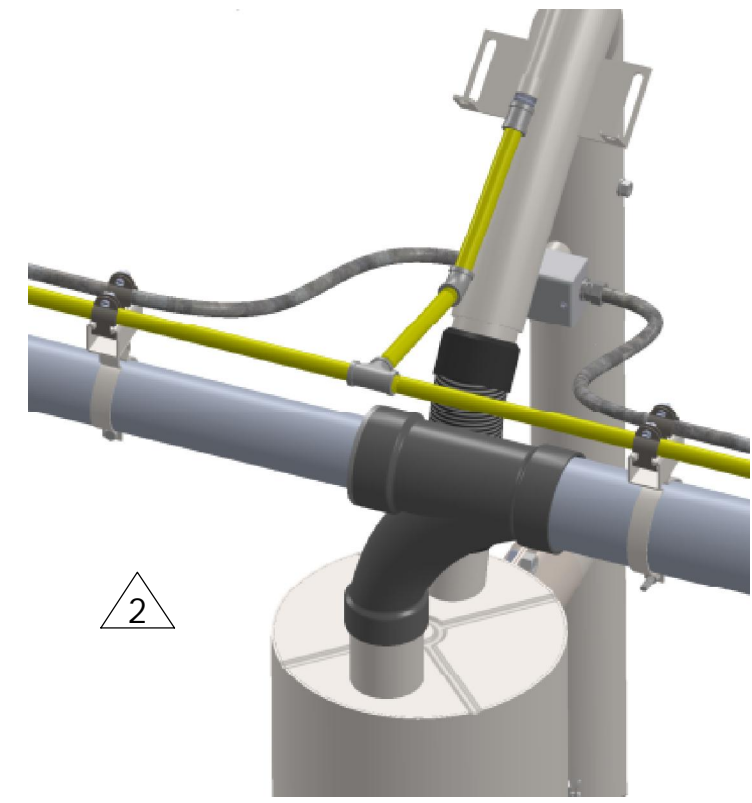
STEP	INSTRUCTION
	LED TUBE LIGHTING FOR INDOOR AND OUTDOOR APPLICATIONS, INCLUDING WET ENVIRONMENTS.
SPEC'S	EFFICACY: 114 LUMENS/WATT CRI: 80 MIN. CCT: 5000K VOLTAGE: UL UNIVERSAL 120-277V WITH EXTERNAL 36V DC DRIVER VERSIONS: 4'-0 = 40W/4500 LUMENS EA(40W/120V=0.33A) 6'-0 = 60W/6000 LUMENS EA(60W/120V=0.50A) 8'-0 = 80W/9000 LUMENS EA(80W/120V=0.66A)
1	INSTALL LED TUBE INTO MOUNTING BRACKETS WITH SUPPLIED HARDWARE. DO NOT TIGHTEN. CENTER LED TUBE SO THAT ENDS PROTRUDE AWAY FROM MOUNTING BRACKETS EQUALLY ON BOTH SIDES THEN TIGHTEN HARDWARE.
2	CUT CONNECTOR OFF JUMPER CABLE THEN INSTALL CONDUIT FROM LED TUBE TO POST.
3	<ul style="list-style-type: none"> FOR ABOVE GROUND ELECTRICAL HOOKUP: FEED CABLE THRU CONDUIT THEN FISH THRU 2 HOLES ON POST. FOR BELOW GROUND ELECTRICAL HOOKUP: FEED CABLE THRU CONDUIT THEN FISH THRU HOLE ON POST. RELOCATE DRIVER TO INSIDE OF POST.
4	CUT JUMPER CABLE TO DESIRED LENGTH AND RECONNECT TO DRIVER.
5	USE LEADER CABLE TO TIE INTO ELECTRICAL JUNCTION BOX (NOT SUPPLIED).



NOTES: UNLESS OTHERWISE SPECIFIED

△ 1 A-SERIES VACUUM ARCH SHOWN FOR REFERENCE. ALL OTHER ARCH STRUCTURES APPLY THE SAME.

△ 2 SUGGESTED ELECTRICAL CONDUIT AND AIR LINE INSTALLATION FOR ABOVE GROUND ELECTRICAL HOOKUP. FOR BELOW GROUND SEE INSTRUCTION STEP 3.



888-628-8682
 www.autovacinc.com
 sales@autovacinc.com

CLIENT APPROVAL
 NAME AND DATE: NOT REQUIRED
 SIGNATURE: NOT REQUIRED

DRAWN BY: CJ
 REV: A

PROJECT TITLE:
INSTRUCTION INSTALL LED BAR ARCH SERIES
 PROJECT NO.:
188-3003