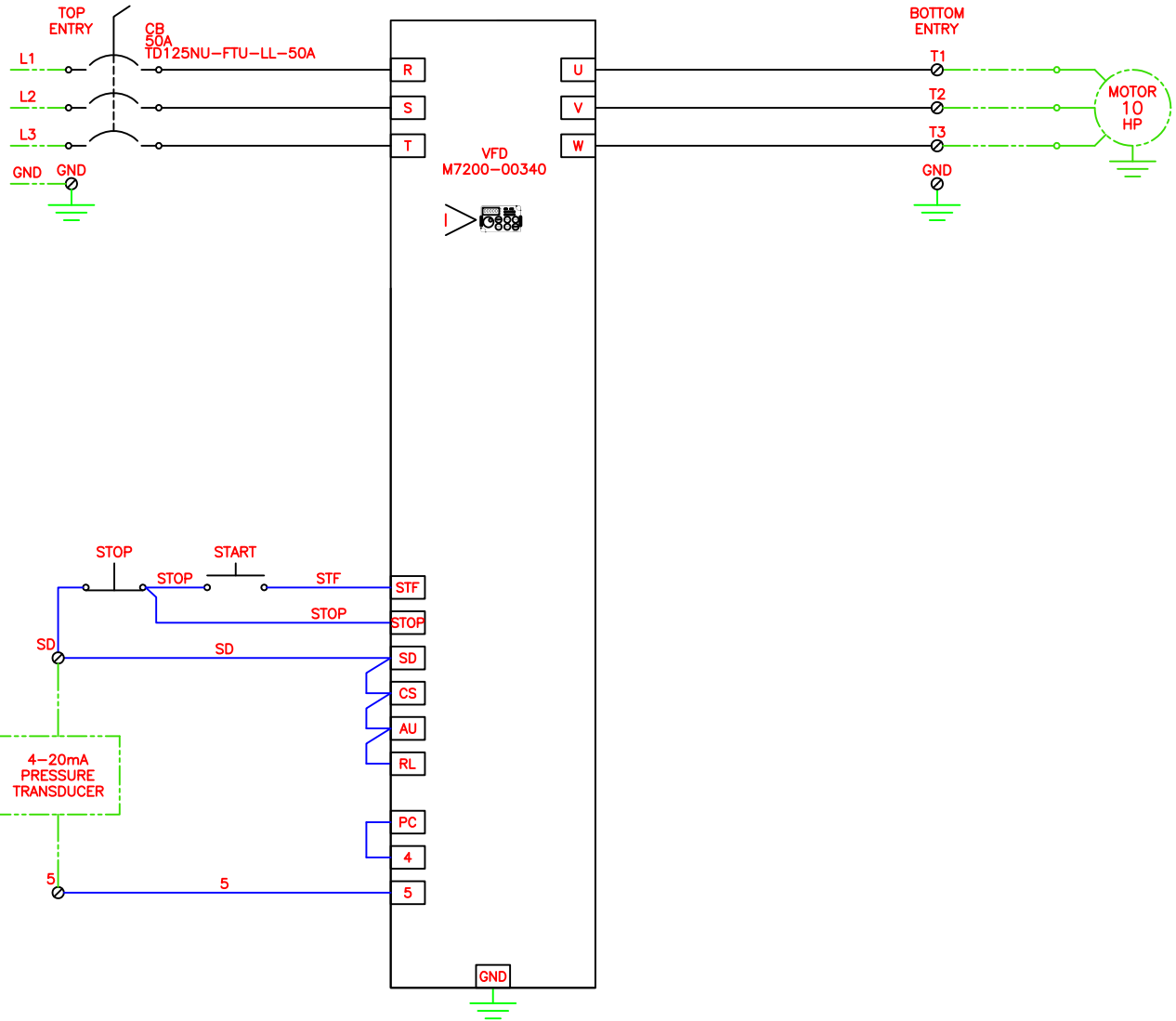


208-230/3/60



- MRS DRIVE CONNECTION TERMINAL
- 888 DEVICE CONNECTION TERMINAL
- 888 TERMINAL NOT FOR CUSTOMER CONNECTION
- 888 TERMINAL FOR CUSTOMER CONNECTION
- D LOCATED ON ENCLOSURE DOOR
- I LOCATED INSIDE ENCLOSURE
- R LOCATED REMOTE FROM ENCLOSURE
- C LOCATED IN RESISTOR CAGE
- ARROW SUPPLIED ENCLOSURE WIRING
- - - CUSTOMER SUPPLIED ENCLOSURE WIRING
- - - ARROW SUPPLIED FIELD WIRING
- - - CUSTOMER SUPPLIED FIELD WIRING
- PLC-OPT OUTPUT DESCRIPTION SUPPLIED PLC OUTPUT
- PLC-IN INPUT DESCRIPTION SUPPLIED PLC INPUT
- PLC-OPT OUTPUT DESCRIPTION CUSTOMER PLC OUTPUT
- PLC-IN INPUT DESCRIPTION CUSTOMER PLC INPUT

ENCLOSURE	NEMA1	TYPE	VENTED	COOLING	NONE	BUS BAR RATING	24	HEIGHT	20	WIDTH	8	DEPTH
PART NUMBER												
0	21-NOV-11	ORIGINAL DRAWING ISSUE										
REV.	DATE	DESCRIPTION										

CUSTOMER NAME		CUSTOMER DRAWING NUMBER		PLANT		TITLE		SUBTITLE		SCALE		DATE	
AUTOVAC INDUSTRIAL VACUUM SYSTEMS		480-2002				10HP 208-230VAC VFD PACKAGE		WIRING DIAGRAM		NONE		21-NOV-11	
TOLL FREE NUMBER - 1-888-628-8682				DRAWN		LHK		480-2002-01					
EMAIL: SALES@AUTOVACINC.COM - WWW.AUTO-VAC.COM				CHECKED									