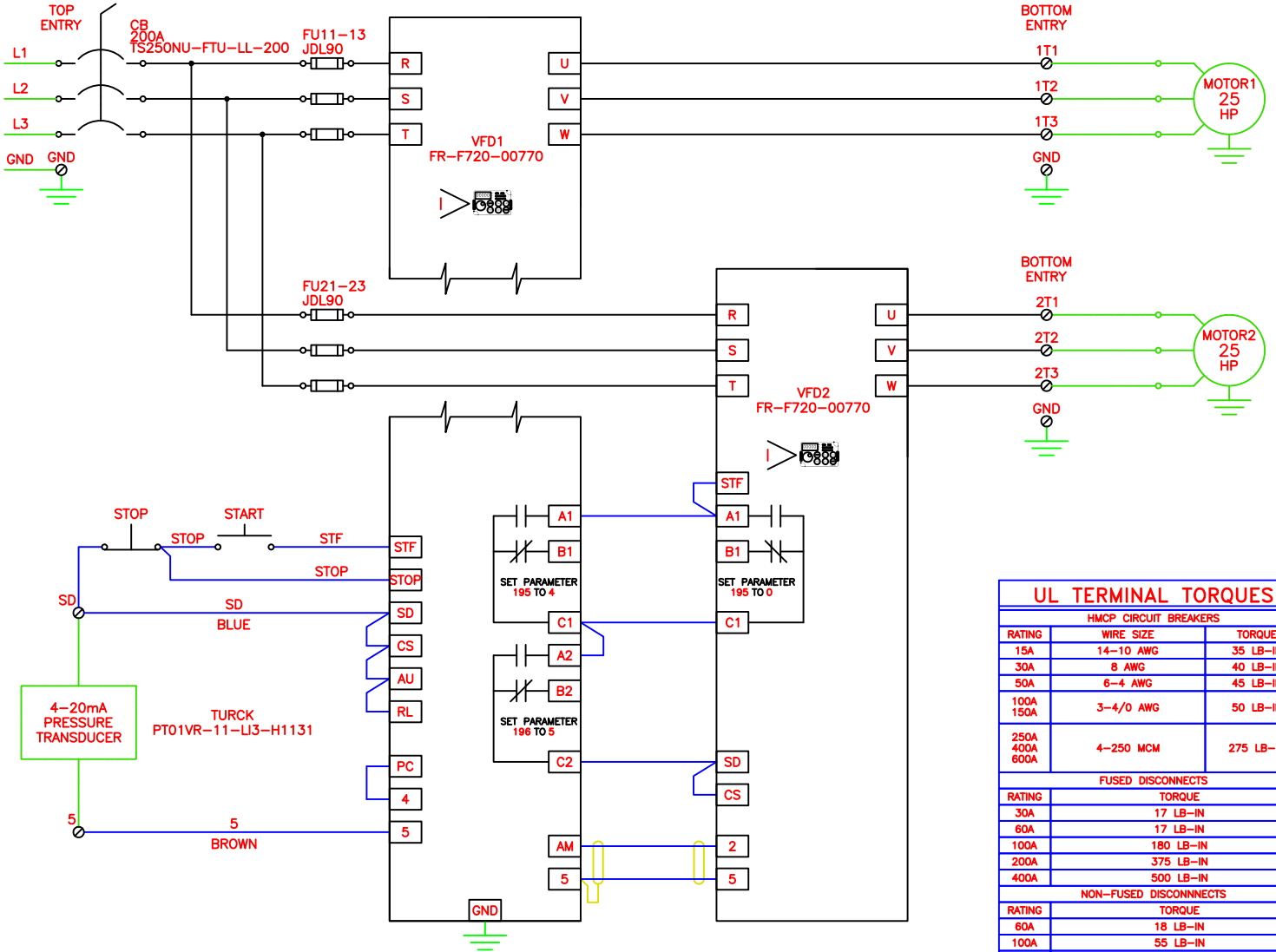


208/230/3/60



UL TERMINAL TORQUES		
HMCP CIRCUIT BREAKERS		
RATING	WIRE SIZE	TORQUE
15A	14-10 AWG	35 LB-IN
30A	8 AWG	40 LB-IN
50A	6-4 AWG	45 LB-IN
100A	3-4/0 AWG	50 LB-IN
150A		
250A	4-250 MCM	275 LB-IN
400A		
600A		
FUSED DISCONNECTS		
RATING	TORQUE	
30A	17 LB-IN	
60A	17 LB-IN	
100A	180 LB-IN	
200A	375 LB-IN	
400A	500 LB-IN	
NON-FUSED DISCONNECTS		
RATING	TORQUE	
60A	18 LB-IN	
100A	55 LB-IN	
200A	375 LB-IN	
400A	500 LB-IN	
WIRE TERMINALS		
TYPE	TORQUE	
SAK4	9 LB-IN	
SAK6	14 LB-IN	
SAK10	18 LB-IN	
SAK16	21 LB-IN	
SAK35	44 LB-IN	
POWER DISTRIBUTION BLOCKS		
WIRE SIZE	TORQUE	
2/0-3 AWG	120 LB-IN	
350-500 MCM	375 LB-IN	

TAG: 480-1305

- MRS DRIVE CONNECTION TERMINAL
- 888 DEVICE CONNECTION TERMINAL
- 888 TERMINAL NOT FOR CUSTOMER CONNECTION
- 888 TERMINAL FOR CUSTOMER CONNECTION
- D LOCATED ON ENCLOSURE DOOR
- I LOCATED INSIDE ENCLOSURE
- R LOCATED REMOTE FROM ENCLOSURE
- C LOCATED IN RESISTOR CAGE
- ARROW SUPPLIED ENCLOSURE WIRING
- CUSTOMER SUPPLIED ENCLOSURE WIRING
- ARROW SUPPLIED FIELD WIRING
- CUSTOMER SUPPLIED FIELD WIRING
- OUTPUT DESCRIPTION SUPPLIED PLC OUTPUT
- INPUT DESCRIPTION SUPPLIED PLC INPUT
- OUTPUT DESCRIPTION CUSTOMER PLC OUTPUT
- INPUT DESCRIPTION CUSTOMER PLC INPUT

ENCLOSURE	NEMA1	TYPE	VENTED	COOLING	NONE	BUS BAR RATING	36	HEIGHT	30	WIDTH	8	DEPTH
PART NUMBER												
1 04-MAR-10 ***** AS BUILT *****												
0 07-JAN-10 ORIGINAL DRAWING ISSUE												
REV.	DATE	DESCRIPTION										

CUSTOMER NAME	CUSTOMER DRAWING NUMBER	PLANT
AUTOVAC INDUSTRIAL VACUUM SYSTEMS		TITLE 2x25HP 230VAC VFD PACKAGE
TOLL FREE NUMBER - 1-888-628-8682		SUBTITLE WIRING DIAGRAM
EMAIL: SALES@AUTOVACINC.COM - WWW.AUTO-VAC.COM		SCALE NONE DRAWN LHK
		DATE 07-JAN-10 CHECKED
		B01188304
		1

