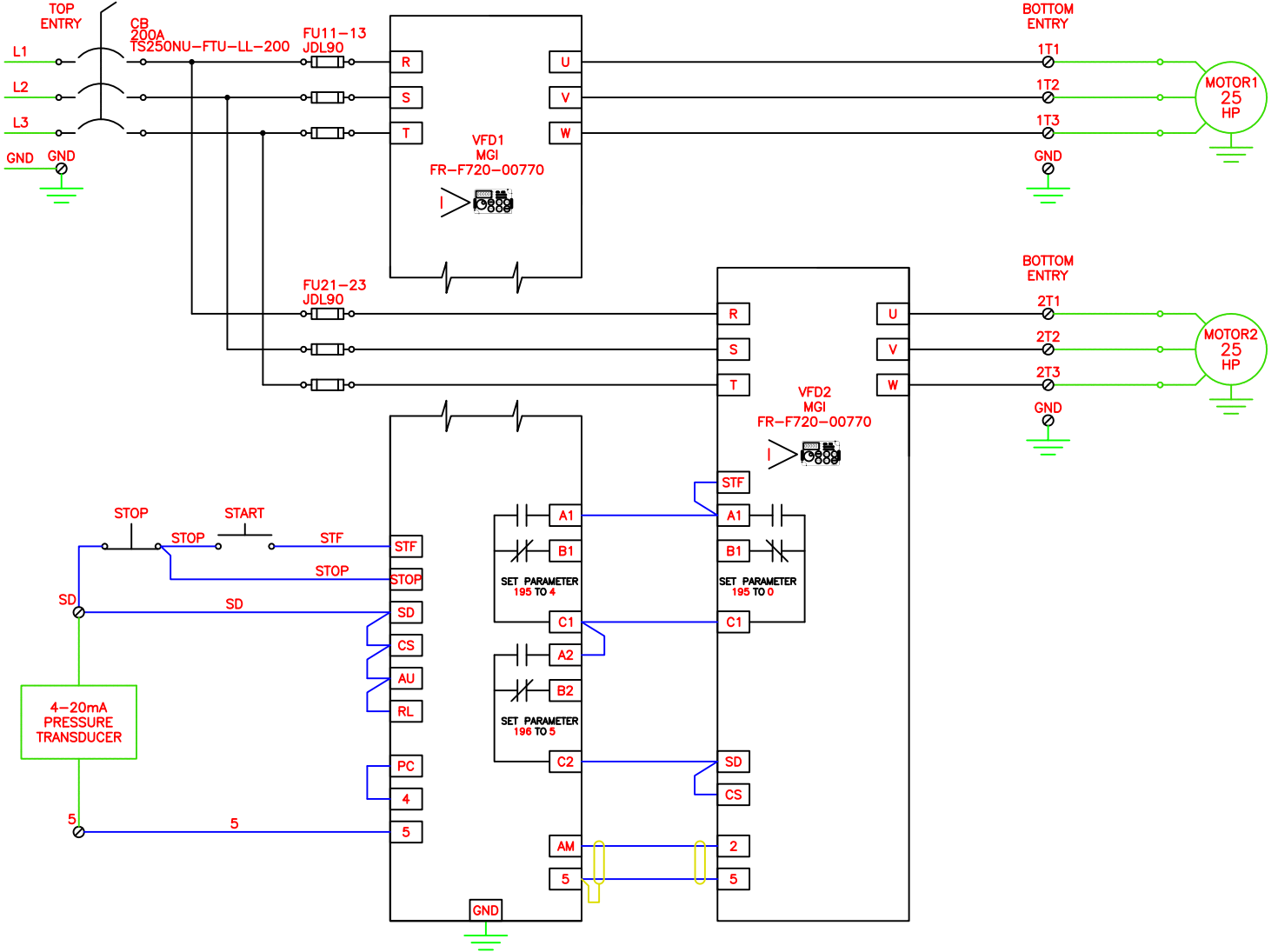


208-230/3/60



QUANTITY: 1
TAG: 480-2305

MRS	DRIVE CONNECTION TERMINAL	—	ARROW SUPPLIED ENCLOSURE WIRING
888	DEVICE CONNECTION TERMINAL	—	CUSTOMER SUPPLIED ENCLOSURE WIRING
888	TERMINAL NOT FOR CUSTOMER CONNECTION	—	ARROW SUPPLIED FIELD WIRING
888	TERMINAL FOR CUSTOMER CONNECTION	—	CUSTOMER SUPPLIED FIELD WIRING
D	LOCATED ON ENCLOSURE DOOR	PLC-OUT	SUPPLIED PLC OUTPUT
I	LOCATED INSIDE ENCLOSURE	PLC-IN	SUPPLIED PLC INPUT
R	LOCATED REMOTE FROM ENCLOSURE	PLC-OUT	CUSTOMER PLC OUTPUT
C	LOCATED IN RESISTOR CAGE	PLC-IN	CUSTOMER PLC INPUT

ENCLOSURE	NEMA1	TYPE	VENTED	COOLING	NONE	BUS BAR RATING	36	HEIGHT	30	WIDTH	8	DEPTH
PART NUMBER												
1	15-DEC-11	*****AS-BUIT*****										
0	03-NOV-11	ORIGINAL DRAWING ISSUE WEIGHT 200LBS										
REV.	DATE	DESCRIPTION										

CUSTOMER NAME
AUTOVAC INDUSTRIAL VACUUM SYSTEMS
EL CAJON, CALIFORNIA

CUSTOMER DRAWING NUMBER

AUTOVAC INDUSTRIAL VACUUM SYSTEMS
TOLL FREE NUMBER - 1-888-628-8682
EMAIL: SALES@AUTOVACINC.COM - WWW.AUTO-VAC.COM



PLANT

TITLE 2x25HP 208-230VAC VFD PACKAGE
SUBTITLE WIRING DIAGRAM

SCALE NONE DRAWN LHK
DATE 03-NOV-11 CHECKED

B01908003 1