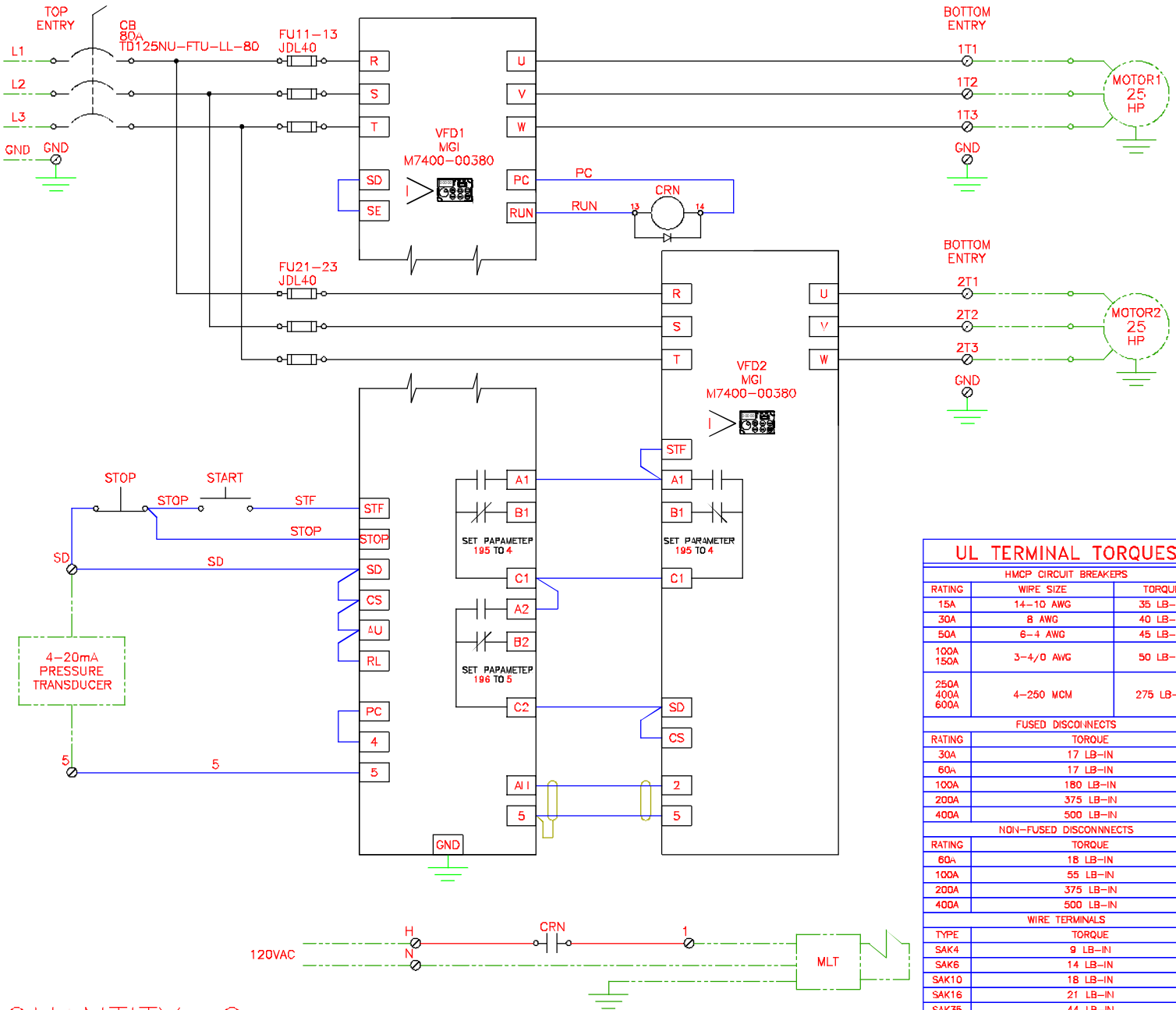


460/3/60



UL TERMINAL TORQUES		
HMCP CIRCUIT BREAKERS		
RATING	WIRE SIZE	TORQUE
15A	14-10 AWG	35 LB-IN
30A	8 AWG	40 LB-IN
50A	6-4 AWG	45 LB-IN
100A	3-4/0 AWG	50 LB-IN
250A	4-250 MCM	275 LB-IN
400A		
600A		
FUSED DISCONNECTS		
RATING	TORQUE	
30A	17 LB-IN	
60A	17 LB-IN	
100A	180 LB-IN	
200A	375 LB-IN	
400A	500 LB-IN	
NON-FUSED DISCONNECTS		
RATING	TORQUE	
60A	18 LB-IN	
100A	55 LB-IN	
200A	375 LB-IN	
400A	500 LB-IN	
WIRE TERMINALS		
TYPE	TORQUE	
SAK4	9 LB-IN	
SAK6	14 LB-IN	
SAK10	18 LB-IN	
SAK16	21 LB-IN	
SAK35	44 LB-IN	
POWER DISTRIBUTION BLOCKS		
WIRE SIZE	TORQUE	
2/0-3 AWG	120 LB-IN	
350-500 MCM	375 LB-IN	

QUANTITY: 2  
TAG: 480-4305

MRS	DRIVE CONNECTION TERMINAL	ARROW SUPPLIED ENCLOSURE WIRING
888	DEVICE CONNECTION TERMINAL	CUSTOMER SUPPLIED ENCLOSURE WIRING
888	TERMINAL NOT FOR CUSTOMER CONNECTION	ARROW SUPPLIED FIELD WIRING
888	TERMINAL FOR CUSTOMER CONNECTION	CUSTOMER SUPPLIED FIELD WIRING
D	LOCATED ON ENCLOSURE DOOR	
I	LOCATED INSIDE ENCLOSURE	
R	LOCATED REMOTE FROM ENCLOSURE	
C	LOCATED IN RESISTOR CAGE	
	OUTPUT DESCRIPTION	SUPPLIED PLC OUTPUT
	INPUT DESCRIPTION	SUPPLIED PLC INPUT
	OUTPUT DESCRIPTION	CUSTOMER PLC OUTPUT
	INPUT DESCRIPTION	CUSTOMER PLC INPUT

ENCLOSURE	NEMA1	TYPE	VENTED	COOLING	BUS BAR RATING	HEIGHT	WIDTH	DEPTH
						36	24	8
REV.	DATE	DESCRIPTION						
2	27-JAN-16	ADD VAVLE TIMER IN FIELD						
1	29-NOV-10	***** AS BUILT *****						
0	29-OCT-10	ORIGINAL DRAWING ISSUE - WEIGHT 125 LBS						

CUSTOMER NAME  
AUTOVAC INDUSTRIAL VACUUM SYSTEMS  
EL CAJON, CALIFORNIA

CUSTOMER DRAWING NUMBER



PLANT			
TITLE	2x25HP 460VAC VFD PACKAGE		
SUBTITLE	WIRING DIAGRAM		
SCALE	NONE	DRAWN	LHK
DATE	29-OCT-10	CHECKED	
			B01480001
			2