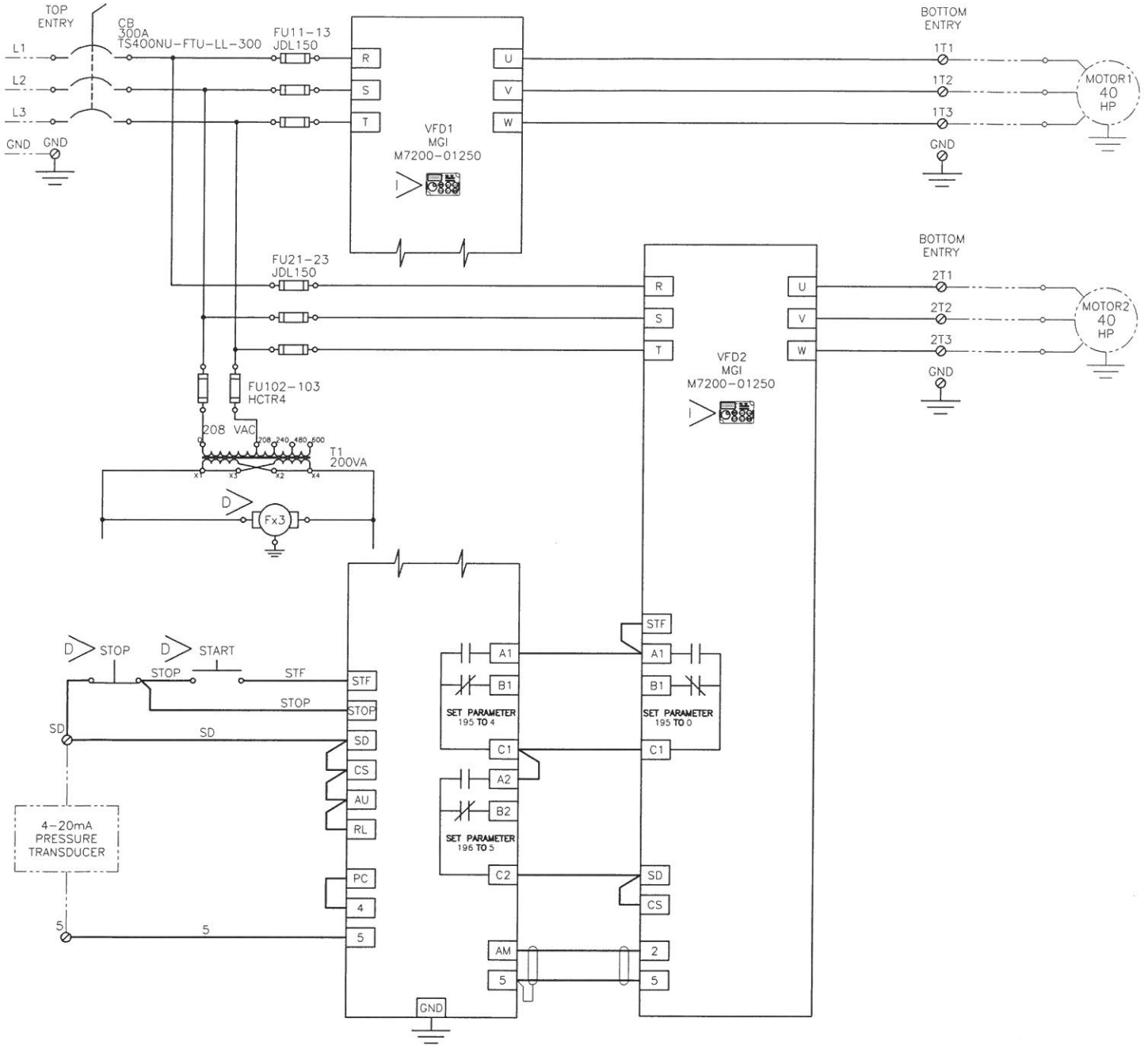


208-230/3/60



- MRS DRIVE CONNECTION TERMINAL
- 888 DEVICE CONNECTION TERMINAL
- 888 TERMINAL NOT FOR CUSTOMER CONNECTION
- 888 TERMINAL FOR CUSTOMER CONNECTION
- D LOCATED ON ENCLOSURE DOOR
- I LOCATED INSIDE ENCLOSURE
- R LOCATED REMOTE FROM ENCLOSURE
- C LOCATED IN RESISTOR CAGE
- ARROW SUPPLIED ENCLOSURE WIRING
- DASHED LINE CUSTOMER SUPPLIED ENCLOSURE WIRING
- DASHED LINE WITH ARROW SUPPLIED FIELD WIRING
- DASHED LINE WITH CIRCLE CUSTOMER SUPPLIED FIELD WIRING
- OUTPUT DESCRIPTION: SUPPLIED PLC OUTPUT
- INPUT DESCRIPTION: SUPPLIED PLC INPUT
- OUTPUT DESCRIPTION: CUSTOMER PLC OUTPUT
- INPUT DESCRIPTION: CUSTOMER PLC INPUT

ENCLOSURE	TYPE	COOLING	DRG ORT PRG	HEIGHT	WIDTH	DEPTH
NEMA1	VENTED	NONE	60	36	10	
PART NUMBER						
1	06-APR-16	***** AS BUILT *****				
0	17-JUL-14	ORIGINAL DRAWING ISSUE				
REV.	DATE	DESCRIPTION				



PLANT					
TITLE	2x40HP 208-230VAC VFD PACKAGE				
SUBTITLE	WIRING DIAGRAM				
SCALE	NONE	DRAWN	LHK	B03742001	
DATE	17-MAR-16	CHECKED		1	