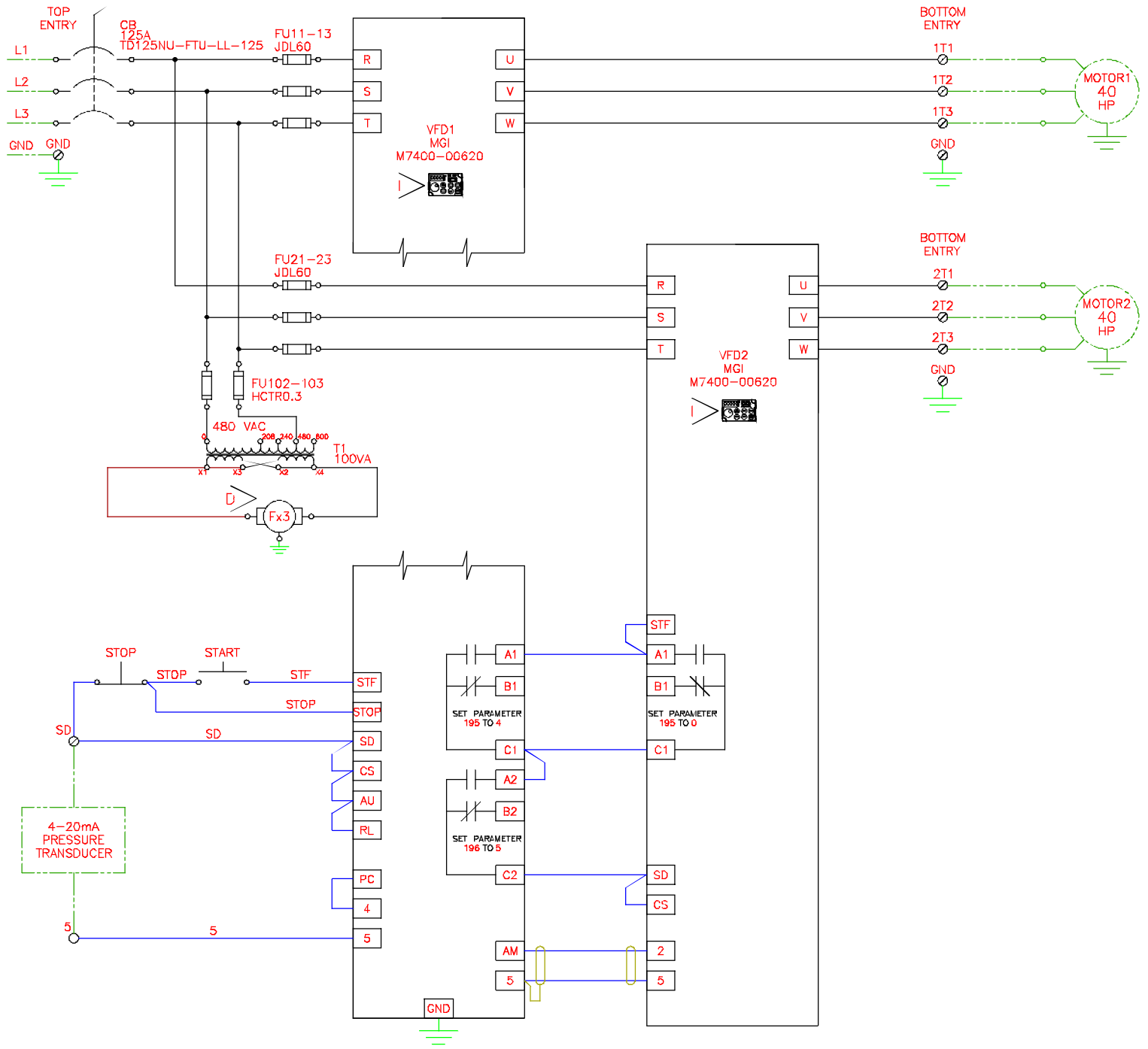


460/3/60



- WRS DRIVE CONNECTION TERMINAL
- 888 DEVICE CONNECTION TERMINAL
- 888 TERMINAL NOT FOR CUSTOMER CONNECTION
- 888 TERMINAL FOR CUSTOMER CONNECTION
- D > LOCATED ON ENCLOSURE DOOR
- I > LOCATED INSIDE ENCLOSURE
- R > LOCATED REMOTE FROM ENCLOSURE
- C > LOCATED IN RESISTOR CAGE
- ARROW SUPPLIED ENCLOSURE WIRING
- CUSTOMER SUPPLIED ENCLOSURE WIRING
- ARROW SUPPLIED FIELD WIRING
- CUSTOMER SUPPLIED FIELD WIRING
- OUTPUT DESCRIPTION SUPPLIED PLC OUTPUT
- INPUT DESCRIPTION SUPPLIED PLC INPUT
- OUTPUT DESCRIPTION CUSTOMER PLC OUTPUT
- INPUT DESCRIPTION CUSTOMER PLC INPUT

ENCLOSURE	TYPE	COOLING	BUS BAR RATING	HEIGHT	WIDTH	DEPTH
NEMA1		VENTED	NONE	36	30	8
PART NUMBER						
0	08-MAY-13	ORIGINAL DPAWING ISSUE				
REV.	DATE	DESCRIPTION				

CUSTOMER NAME AUTOVAC INDUSTRIAL VACUUM SYSTEMS EL CAJON, CALIFORNIA		CUSTOMER DRAWING NUMBER 480-4307		PLANT	
13851 BRIDGEPORT ROAD, RICHMOND, BC V6V 1J6				TITLE 2x40HP 460VAC VFD PACKAGE	
#6 5080 TIMBERLEA BLVD. MISSISSAUGA, ON. L4W 4M2				SUBTITLE WIRING DIAGRAM	
#205 6030 88th STREET EDMONTON, AB. T6E 6G4		SCALE NONE	DRAWN LHK	480-4307-01	
		DATE 08-MAY-13	CHECKED	0	