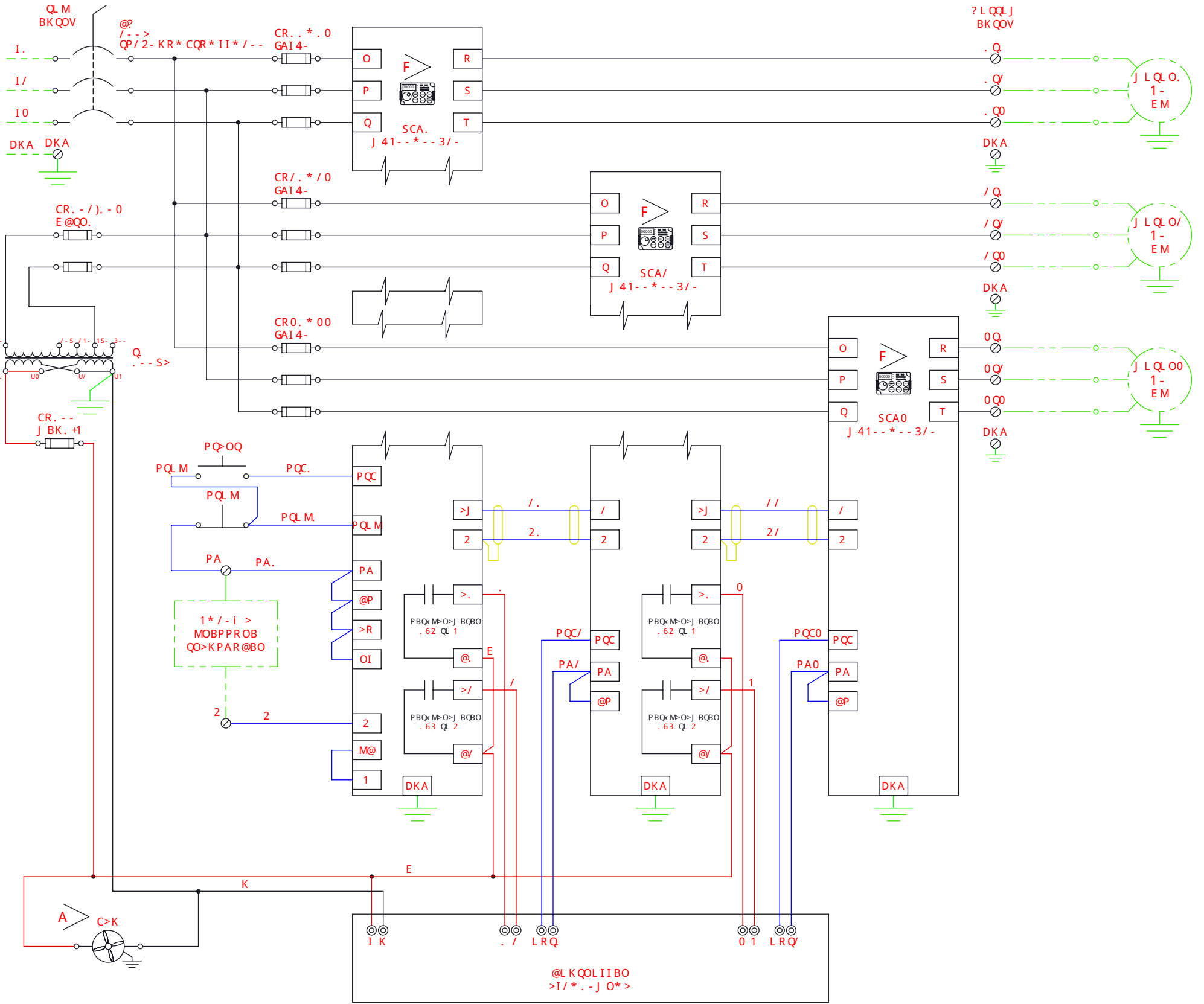


13- , 0, 3-



J OP	AOIBx @L KKB@QL Kx QBQJ FK>I	>OOL T x PRMMI FBx BK@L L PROBx T FORK D
555	ABSR@Bx @L KKB@QL Kx QBQJ FK>I	@RPQLJ Bx PRMMI FBx BK@L L PROBx T FORK D
555	QBQJ FK>Ix KL Qx CL Ox @RPQLJ Bx @L KKB@QL K	>OOL T x PRMMI FBx CBI Ax T FORK D
555	QBQJ FK>Ix CL Ox @RPQLJ Bx @L KKB@QL K	@RPQLJ Bx PRMMI FBx CBI Ax T FORK D
A	IL@QBx L Kx BK@L L PROBx AL LO	LRQMRQx ABP@ORMQL K PRMMI FBx MI @x LRQMRQ
F	IL@QBx K P FBx BK@L L PROB	FKMRQx ABP@ORMQL K PRMMI FBx MI @x FKMRQ
O	IL@QBx OBJ L QBx COLj x BK@L L PROB	LRQMRQx ABP@ORMQL K @RPQLJ Bx MI @x LRQMRQ
@	IL@QBx Kx OBPPQL Ox @DB	FKMRQx ABP@ORMQL K @RPQLJ Bx MI @x FKMRQ

BK@L L PROB	KBJ >	QIME	ML LIRD	TRPx1>QxO-QKD	E BDEC	TRGE	ASBCE
		C>Kx@L LIBA	KLKB	E	T	A	
	. 1*J >O* . 1		LOFDK>Ix AO>T FKDX PPRB* xT BIDE Qx 02- xH'o				
OBS+	A>QB		ABP@ORMQL K				

x
x

15- * 14- 3

MI>KQ x

S:k x 51- -x LKQ-ORL x PQ+
S>K@L RSBO)x? @x S2Ux 0B4
3x2- 5- x QH ? BOIB>x? ISA+
J P P P P >R D>x LK*x I 1 T x 1 j /
/ - 2x3- 0- x 55px PQOBBQ
BAJ L K Q L K)x>? x QBx 3DT



QFQB 1t0- EMx 13- S>@x SCAX M@>H>DB
PR? QFQB T FORK Dx AF>DO>J
P@>IB KLKB AO>TK x
A>QB . 1*J >O* . 1 @E B@HBA x

15- * 14- 3* - -