

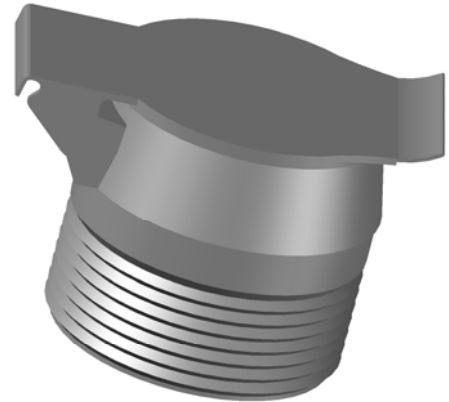
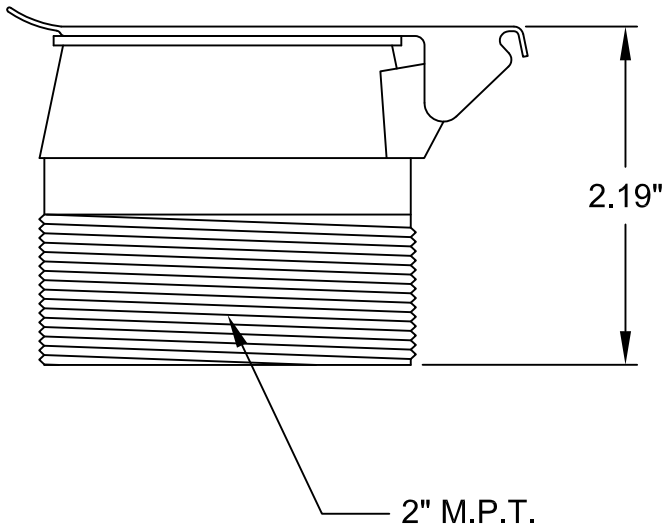
WWW.AUTOVACINC.COM - Toll Free number 1-888-628-8682

INLET VALVE
 1-1/2"

For Approval Certified For

Project: _____ By: _____

Your Order #: _____ Our Order #: _____



MATERIALS OF CONSTRUCTION	
BODY	DIE CAST ZINC WITH SATIN CHROME FINISH
COVER	STEEL WITH SATIN CHROME FINISH
GASKET	NEOPRENE