

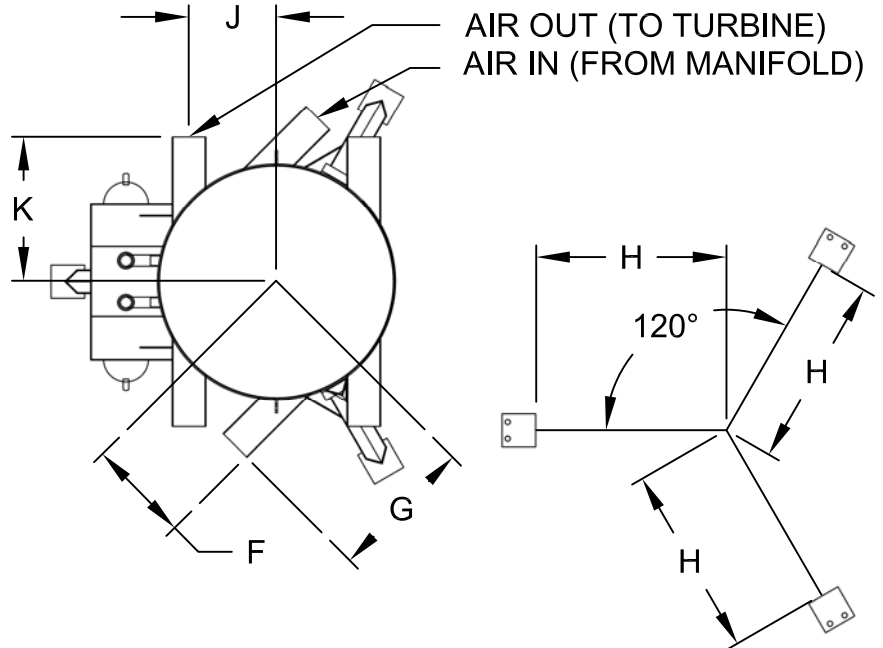
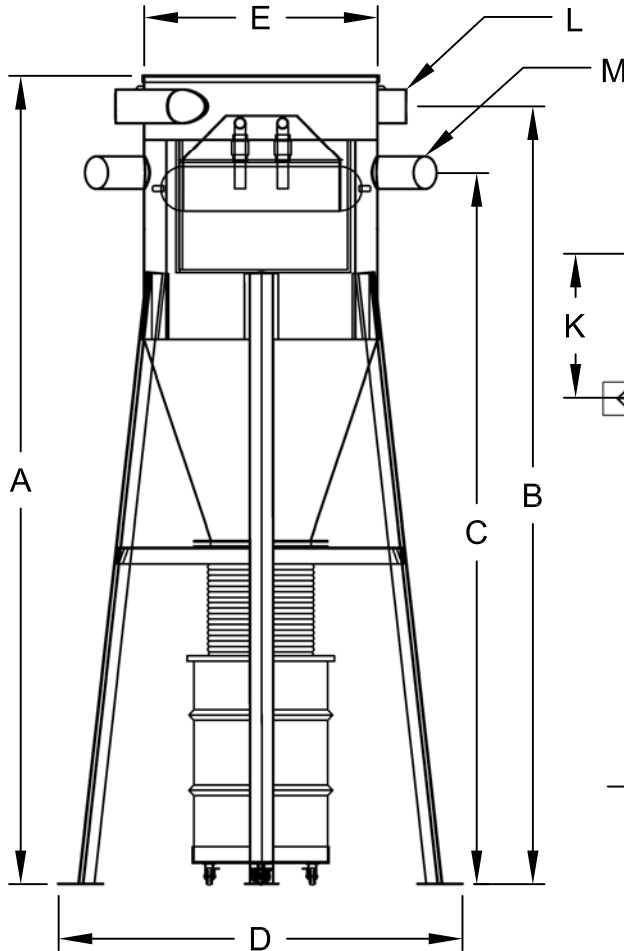
WWW.AUTOVACINC.COM - Toll Free number 1-888-628-8682

HOPPER SEPARATOR PULSE JET

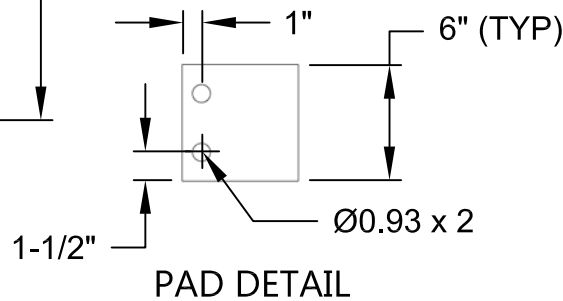
For Approval Certified For

Project: _____ By: _____

Your Order #: _____ Our Order #: _____



PLAN VIEW OF CONTACT SURFACES



MODEL #	Dimensions in Inches											
	A	B	C	D	E	F	G	H	J	K	L	M
PJ - 26	144-3/4"	139"	130"	65"	42-3/4"	20-1/4"	22"	29-3/4"	14"	21-1/2"	6-5/8"	6-5/8"
PJ - 38	144-3/4"	139"	130"	65"	42-3/4"	20-1/4"	22"	29-3/4"	14"	21-1/2"	6-5/8"	6-5/8"
PJ - 42	144-3/4"	139"	130"	65"	42-3/4"	20-1/4"	22"	29-3/4"	14"	21-1/2"	6-5/8"	6-5/8"