

WWW.AUTOVACINC.COM - Toll Free number 1-888-628-8682

## STANCHION FOR Y PIPE

For Approval

Certified For

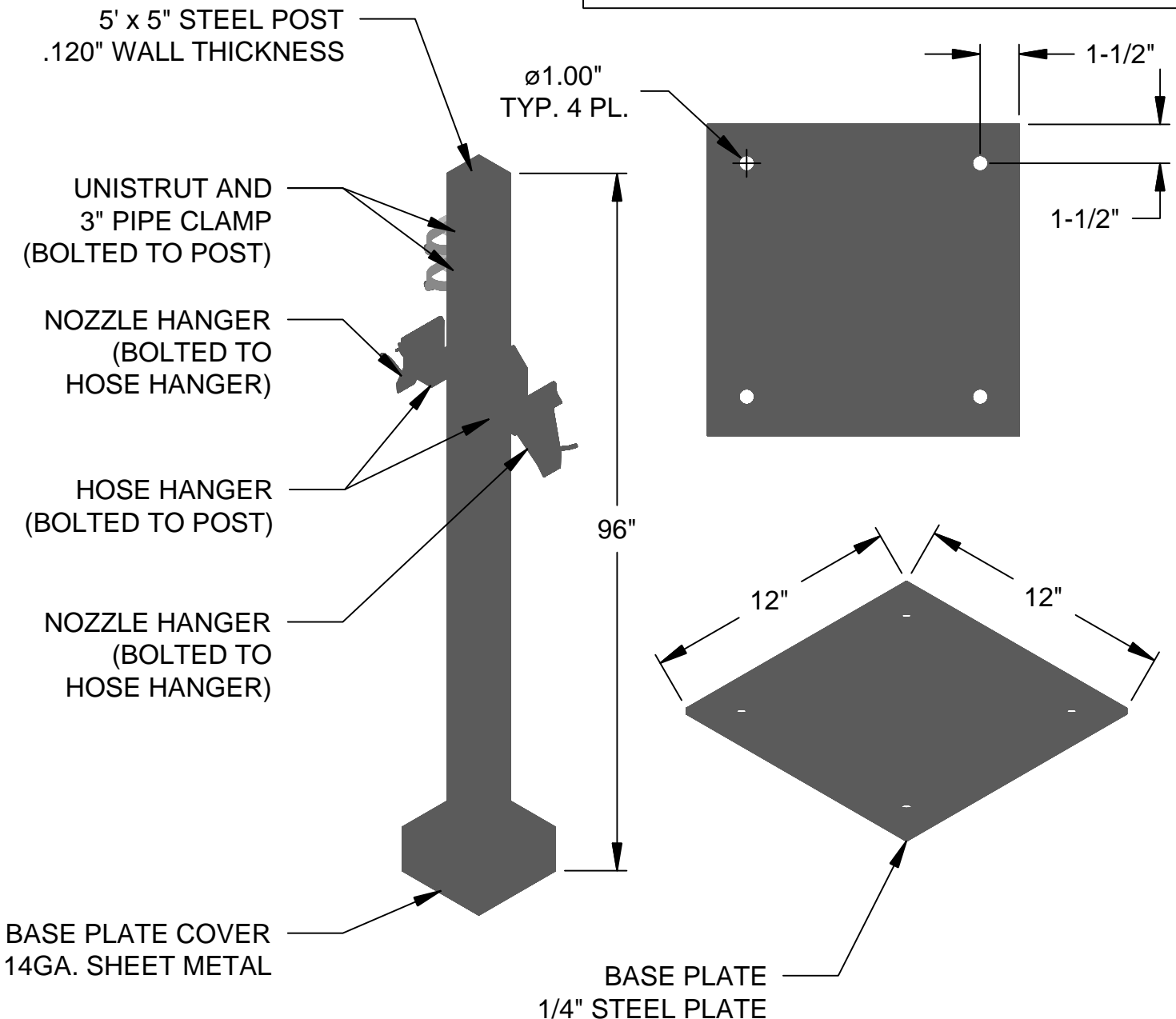
Job Name: \_\_\_\_\_

Customer: \_\_\_\_\_

Custom Color Code: \_\_\_\_\_

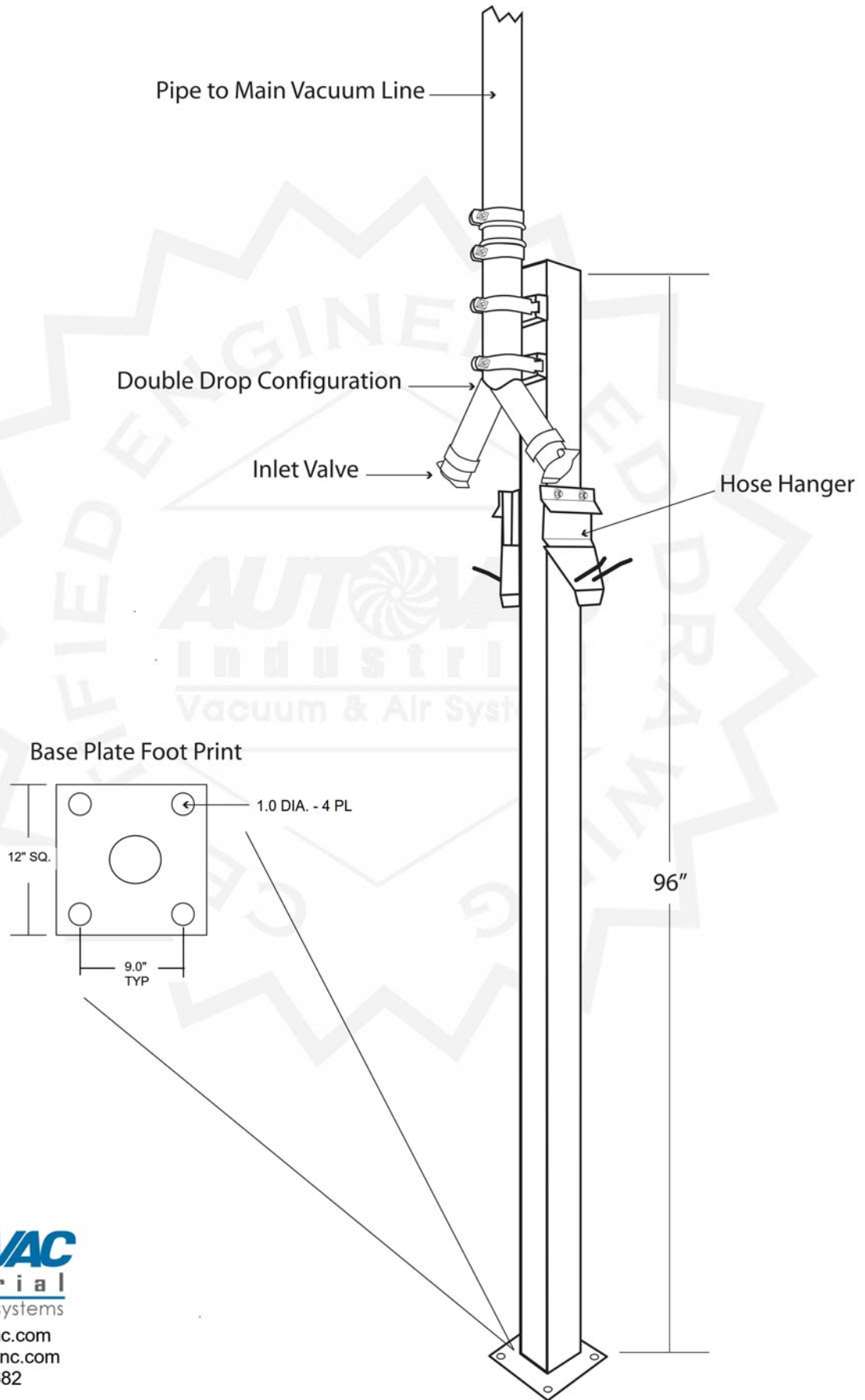
AVIQ#: \_\_\_\_\_

Approval Signature: \_\_\_\_\_



NOTE: Standard color is Silver / Gray.

# Airport Custom Stanchion



**AUTOVAC**  
Industrial  
Vacuum & Air systems  
www.autovacinc.com  
sales@autovacinc.com  
888-628-8682