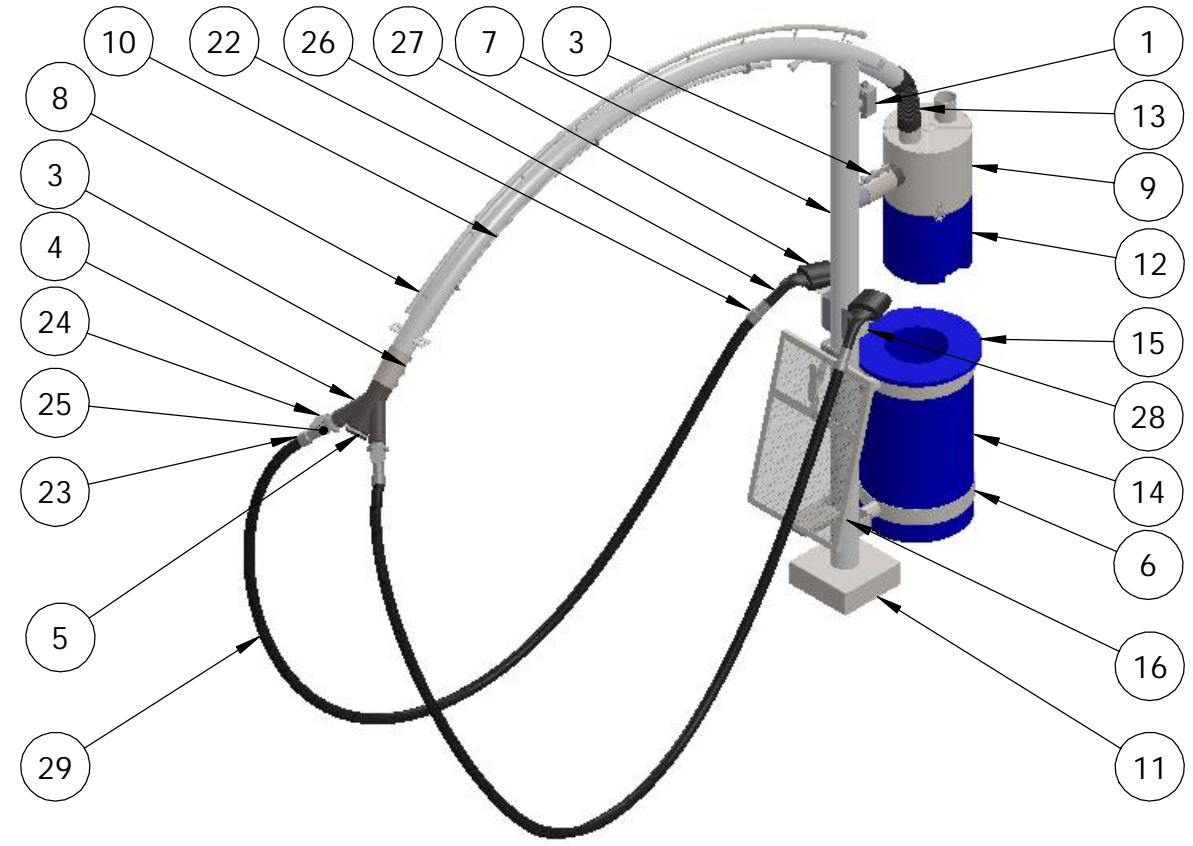
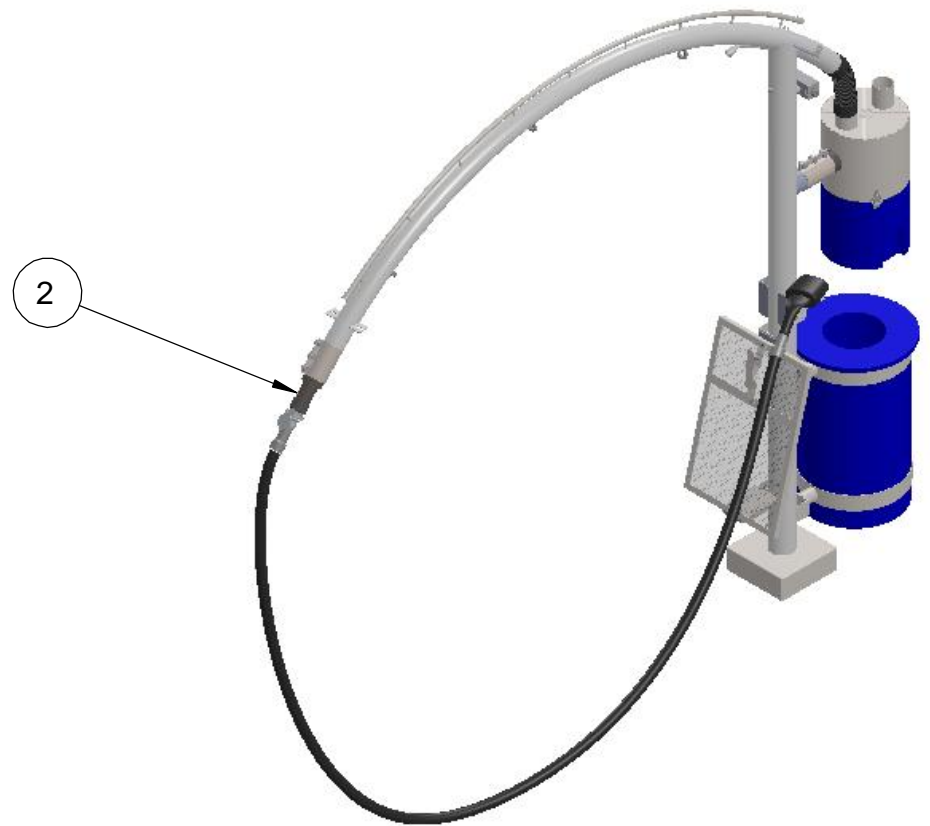


PROJECT TITLE: A1-A2-L1 ARCH DIM COMPARISON	DRAWN BY: CJ	CONFIDENTIAL AND PROPRIETARY INTELLECTUAL PROPERTY OF AVI COPYING OR DISTRIBUTION IS STRICTLY PROHIBITED WITHOUT THE EXPRESS WRITTEN PERMISSION FROM AUTOVAC INDUSTRIAL.	
	REV: A	UNLESS OTHERWISE SPECIFIED DIMENSIONS ARE IN INCHES TOLERANCES ARE: FRACTIONS DECIMALS ANGLES $\pm 1/32$ $\pm .1$ $\pm 1^\circ$ $\pm .03$ $\pm .03$ $\pm 1^\circ$ $\pm .010$ $\pm .010$ $\pm 1^\circ$	
PROJECT NO.:	SHEET: 1 OF 1		DRAWING INTERPRETATION PER ASME Y 14.5-200
888-628-8682 www.autovacinc.com sales@autovacinc.com			

A1 ARCH - DOUBLE DROP ASSEMBLY
 TOTAL REQUIREMENTS)



A1 ARCH - SINGLE DROP ASSEMBLY
 TOTAL REQUIREMENTS)



ITEM NO.	PART NUMBER	DESCRIPTION	DOUBLE	SINGLE
1	C499-0001	ARCH ELECTRICAL JUNCTION BOX ¹	1	1
2	C574-0012	ADAPTER, 3IN PIPE X 2IN FNPT	N/A	1
3	C579-0007	COMPRESSION COUPLING, 3"	2	2
4	C590-0010	WYE, DOUBLE, STEEL, 3 X 2	1	N/A
5	C592-0002	JIM CAP, 3"	1	1
6	C700-0012	TRASH CAN HOLDER ASSY, ONE PIECE (SEE COLOR SHEET FOR COLOR) ¹	2	2
7	C706-1102	ARCH STANCHION ASSEMBLY (SEE COLOR SHEET FOR COLOR) ¹	1	1
8	C706-1520	A1 ARCH - w AIRLINE & CONDUIT (SEE COLOR SHEET FOR COLOR) ¹	1	1
9	C706-3003	A1 VACUUM ARCH PRIME SEPARATOR, OVERHEAD VAC (SEE COLOR SHEET FOR COLOR) ¹	1	1
10	C706-3026	LED FIXTURE, 6 FT ¹	1	1
11	C740-1901	A1 VAC ARCH BASE PLATE COVER ASSY, ONE HALF (SEE COLOR SHEET FOR COLOR) ¹	1	1
12	C740-1938	ARCH PRIMARY SEPARATOR BUCKET ASSY DARK BLUE ¹	1	1
13	C790-0010	A1 ARCH CYCLONIC CONNECTOR, BLACK	1	1
14	C790-0909	ARCH TRASH CAN, DARK BLUE ¹	1	1
15	C790-0918	TRASH CAN LID, DARK BLUE ¹	1	1
16	C790-0920	MAT HOLDER ASSEMBLY (SEE COLOR SHEET FOR COLOR) ¹	1	1
17	C791-9001	HARDWARE KIT, ARCH TO POST	1	1
18	C791-9003	HARDWARE KIT, MAT HOLDER ¹	1	1
19	C791-9004	HARDWARE KIT, TRASH CAN HOLDER ¹	1	1
20	C791-9005	HARDWARE KIT, BASE PLATE COVER ¹	1	1
21	C791-9022	HARDWARE KIT, NEW VACUUM NOZZLE ¹	1	1
22	C821-1005	CUFF, SWIVEL, GREY, 1 1-2 ¹	2	1
23	C821-1013	CUFF, GREY, 1 1-2 ¹	2	1
24	C821-1101	INLET VALVE ALUMINUM	2	1
25	C821-1102-1	HOSE ADAPTER ALUMINUM	2	1
26	C821-1518-4	VACUUM NOZZLE, NEW, BLACK ¹	2	1
27	C821-1519-4	VACUUM NOZZLE HOLSTER, BLACK ¹	2	1
28	C821-1602-2	VACUUM NOZZLE 'L' BRACKET (SEE COLOR SHEET FOR COLOR) ¹	2	1
29	C822-0151	VACUUM HOSE, 1 1/2, 15 FT, BLACK ¹	2	1

NOTES: UNLESS OTHERWISE SPECIFIED

¹ COLORS AND ACCESSORIES REFLECTED ARE FOR REPRESENTATION PURPOSES ONLY. REFER TO INVOICE FOR SPECIFIC REQUIREMENTS.



888-628-8682
 www.autovacinc.com
 sales@autovacinc.com

CLIENT APPROVAL

NAME AND DATE: _____

SIGNATURE: _____

PROJECT TITLE: **A1 ARCH ASSEMBLY PARTS LIST**

PROJECT NO.: **N/A**

DRAWN BY: CJ

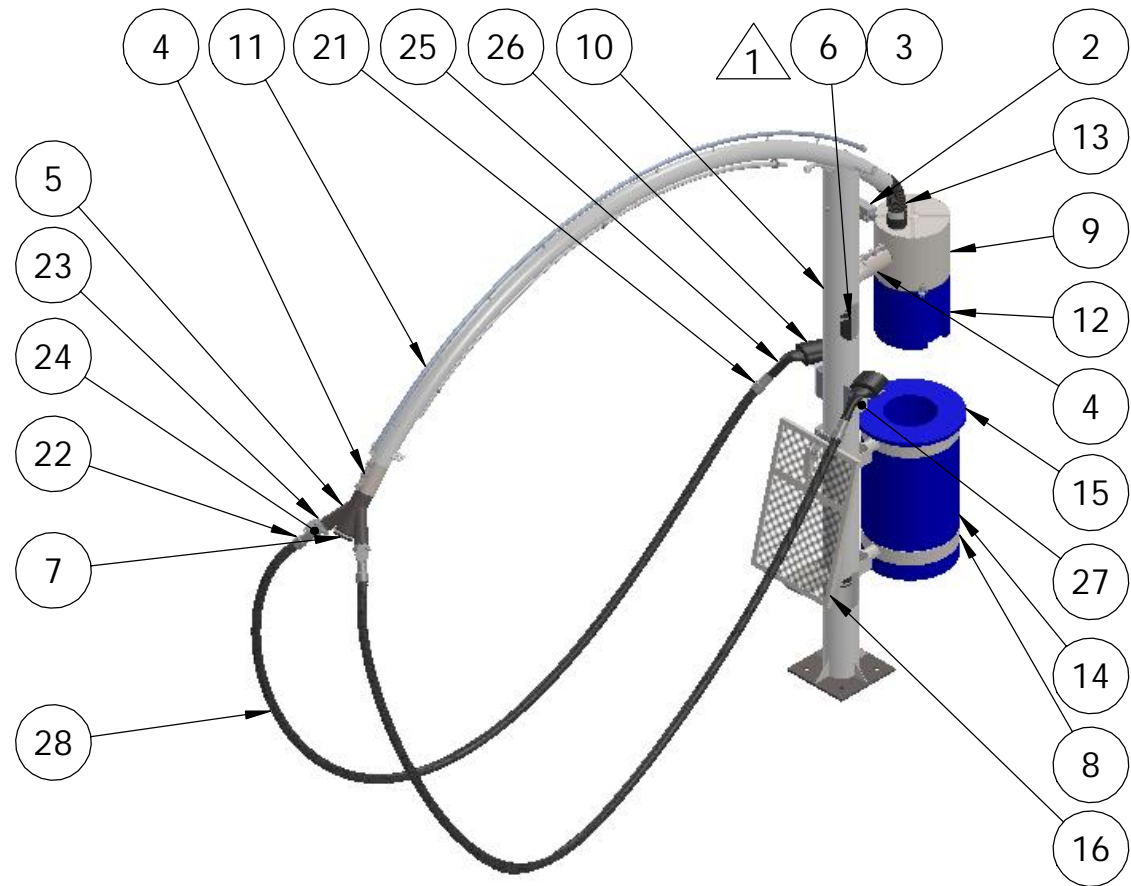
REV: E

NOT REQUIRED

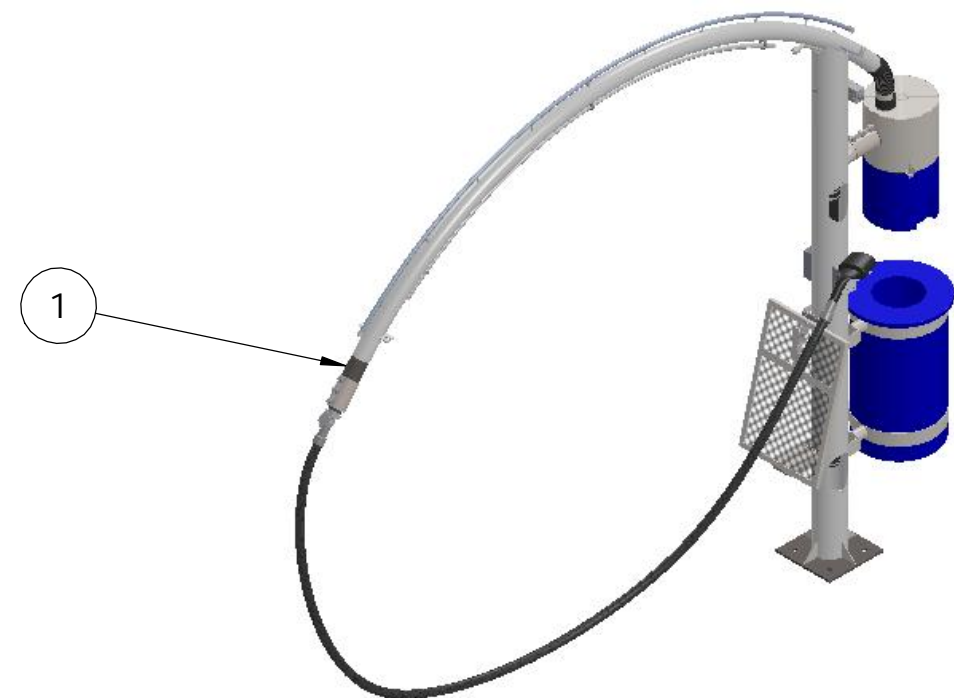
NOT REQUIRED

NOT REQUIRED

A2 ARCH - DOUBLE DROP ASSEMBLY (TOTAL REQUIREMENTS)



A2 ARCH - SINGLE DROP ASSEMBLY (TOTAL REQUIREMENTS)



ITEM NO.	PART NUMBER	DESCRIPTION	DOUBLE	SINGLE
1	C574-0012	ADAPTER, 3IN PIPE X 2 FNPT	N/A	1
2	C499-0001	ARCH ELECTRICAL JUNCTION BOX	1	1
3	C521-0002	3" ABS PIPE	5'-0	5'-0
4	C579-0007	COMPRESSION COUPLING, 3"	2	2
5	C590-0010	WYE, DOUBLE, STEEL, 3 X 2	1	N/A
6	C591-0002	NO-HUB RUBBER COUPLING, 3"	2	2
7	C592-0002	JIM CAP, 3"	1	
8	C700-0012	TRASH CAN HOLDER ASSY, ONE PIECE (SEE COLOR SHEET FOR COLOR)	2	2
9	C706-3007	PRIME SEPARATOR, UNDERGROUND	1	1
10	C706-4102	6IN STANCHION ASSEMBLY - UG (SEE COLOR SHEET FOR COLOR)	1	1
11	C706-4520	A2 ARCH - w AIRLINE & CONDUIT (SEE COLOR SHEET FOR COLOR)	1	1
12	C740-1938	ARCH PRIMARY SEPARATOR BUCKET ASSY DARK BLUE	1	1
13	C790-0010	A1 ARCH CYCLONIC CONNECTOR, BLACK	1	1
14	C790-0909	ARCH TRASH CAN, DARK BLUE	1	1
15	C790-0918	TRASH CAN LID, DARK BLUE	1	1
16	C790-0920	MAT HOLDER ASSEMBLY (SEE COLOR SHEET FOR COLOR)	1	1
17	C791-9001	HARDWARE KIT, ARCH TO POST	1	1
18	C791-9003	HARDWARE KIT, MAT HOLDER	1	1
19	C791-9004	HARDWARE KIT, TRASH CAN HOLDER	1	1
20	C791-9022	HARDWARE KIT, NEW VACUUM NOZZLE	2	1
21	C821-1005	CUFF, SWIVEL, GREY, 1 1-2	2	1
22	C821-1013	CUFF, GREY, 1 1-2	2	1
23	C821-1101	INLET VALVE ALUMINUM	2	1
24	C821-1102-1	HOSE ADAPTER ALUMINUM	2	1
25	C821-1518-4	VACUUM NOZZLE, NEW, BLACK	2	1
26	C821-1519-4	VACUUM NOZZLE HOLSTER, BLACK	2	1
27	C821-1602-2	VACUUM NOZZLE 'L' BRACKET (SEE COLOR SHEET FOR COLOR)	2	1
28	C822-0151	VACUUM HOSE, 1 1/2, 15 FT, BLACK	2	1

NOTES: UNLESS OTHERWISE SPECIFIED

1 INTERNAL PIPE AND (2X) NO HUB COUPLINGS ONLY APPLY TO UNDERGROUND MANIFOLD CONFIGURATION.

2 COLORS REFLECTED ARE FOR REPRESENTATION PURPOSES ONLY.

AUTOMAC
Industrial
Vacuum & Air systems

888-628-8682
www.autovacinc.com
sales@autovacinc.com

CLIENT APPROVAL

NAME AND DATE:

SIGNATURE:

DRAWN BY:

CJ

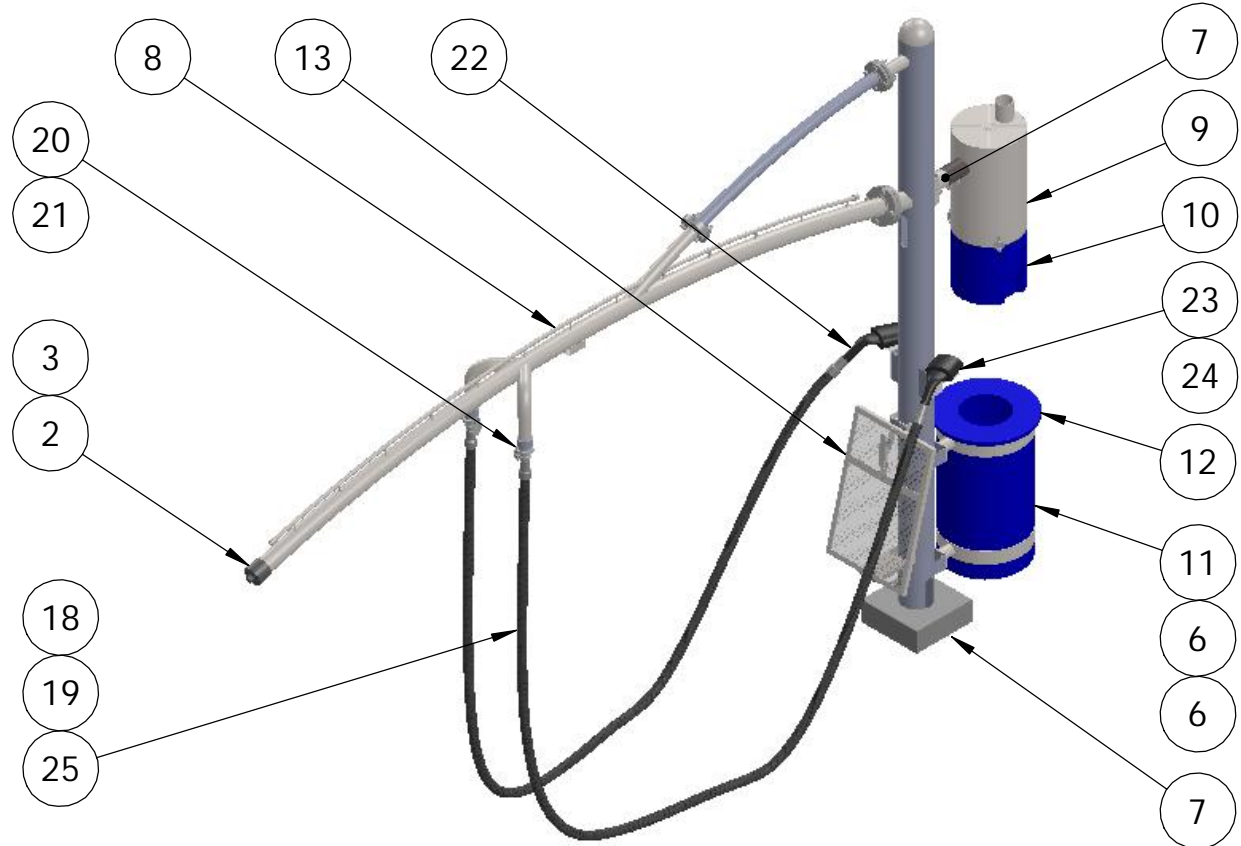
REV:

C

PROJECT TITLE:
**A2 ARCH ASSEMBLY
PARTS LIST**

PROJECT NO.:
N/A

L1 ARCH - DOUBLE DROP ASSEMBLY (XX TOTAL REQUIREMENTS)



L1 ARCH - SINGLE DROP ASSEMBLY (XX TOTAL REQUIREMENTS)



ITEM NO.	PART NUMBER	DESCRIPTIONS	DOUBLE	SINGLE
2	C528-0002	FEMALE ADAPTER, ABS, 3 IN	1	1
3	C529-0102	3" ABS PLUG	1	1
5	C579-0007	COMPRESSION COUPLING, 3"	1	1
6	C700-0012	TRASH CAN HOLDER ASSY, ONE PIECE ¹	2	2
7	C705-1011	L1 VACUUM ARCH POST ASSY ¹	1	1
8	C705-1015-5	L1 VACUUM ARCH, ARCH ASSY, MID SPAN DROPS ¹	1	1
9	C706-3003	A1 VACUUM ARCH PRIME SEPARATOR, OVERHEAD VAC ¹	1	1
10	C740-1938	ARCH PRIMARY SEPARATOR BUCKET ASSY DARK BLUE ¹	1	1
11	C790-0909	ARCH TRASH CAN, DARK BLUE ¹	1	1
12	C790-0918	TRASH CAN LID, DARK BLUE ¹	1	1
13	C790-0920	MAT HOLDER ASSEMBLY ¹	1	1
14	C791-9003	HARDWARE KIT, MAT HOLDER	1	1
15	C791-9004	HARDWARE KIT, TRASH CAN HOLDER	1	1
16	C791-9022	HARDWARE KIT, NEW VACUUM NOZZLE	2	1
17	C791-9023	HARDWARE KIT, L1 - L2 ARCH CONNECTOR BOLTS	3	3
18	C821-1005	CUFF, SWIVEL, GREY, 1 1-2	2	1
19	C821-1013	CUFF, GREY, 1 1-2	2	1
20	C821-1101	INLET VALVE ALUMINUM	2	1
21	C821-1102	HOSE ADAPTER ALUMINUM	2	1
22	C821-1518-4	VACUUM NOZZLE, NEW, BLACK ¹	2	1
23	C821-1519-3	VACUUM NOZZLE HOLSTER, BLUE ¹	2	1
24	C821-1602-2	VACUUM NOZZLE 'L' BRACKET ¹	2	1
25	C822-0151	VACUUM HOSE, 1 1/2, 15 FT, BLACK ¹	2	1

NOTES: UNLESS OTHERWISE SPECIFIED

¹ COLORS AND ACCESSORIES REFLECTED ARE FOR REPRESENTATION PURPOSES ONLY. REFER TO INVOICE FOR SPECIFIC REQUIREMENTS.



888-628-8682
www.autovacinc.com
sales@autovacinc.com

CLIENT APPROVAL

NAME AND DATE:

SIGNATURE:

DRAWN BY:

CJ

REV:

A

PROJECT TITLE:
L1 ARCH ASSEMBLY - PARTS LIST

C705-100X

PROJECT NO.: