



# PRODUCT DATA

FABRICATED  
CENTRIFUGAL EXHAUSTER

WWW.AUTOVACINC.COM - Toll Free number 1-888-628-8682

## TF - 300 SERIES STANDARD FOUR BEARING CENTRIFUGAL EXHAUSTER

For Approval       Certified For

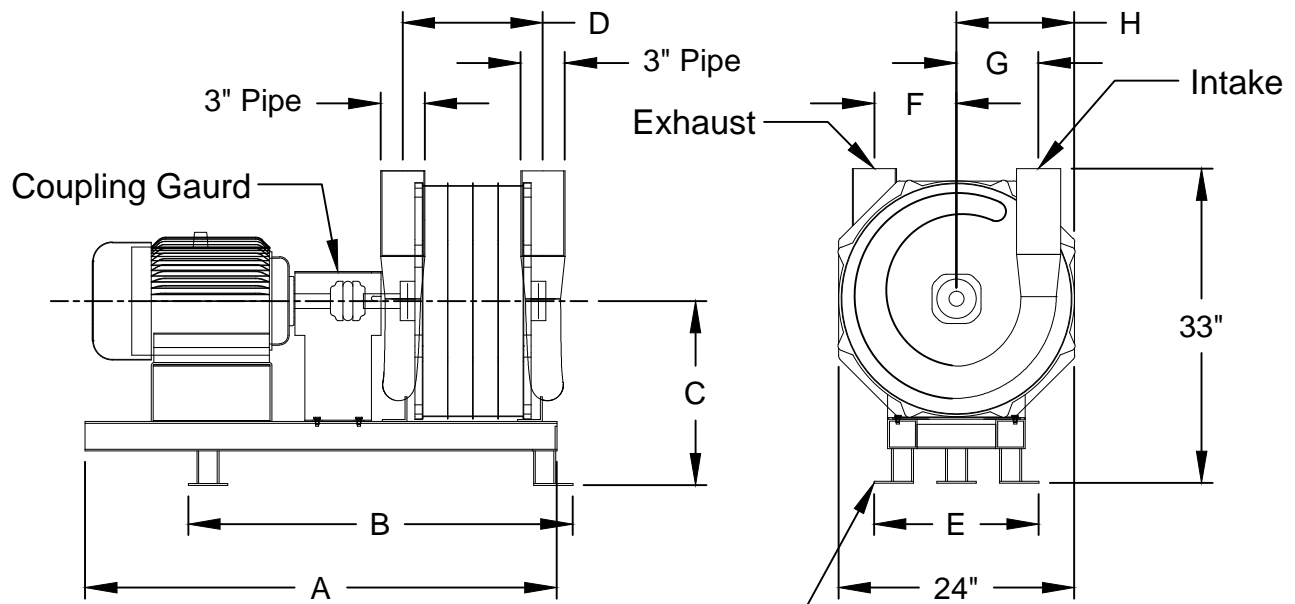
Job Name: \_\_\_\_\_

Customer: \_\_\_\_\_

Custom Color Code: \_\_\_\_\_

AVIQ#: \_\_\_\_\_

Approval Signature: \_\_\_\_\_



(3) STD. Base Pads  
4" x 5" x 3/8" THK.  
(1) 7/16" Hole per Pad

MODEL #	MOTOR HP	Dimensions in Inches							
		A	B	C	D	E	F	G	H
TF-305	5	35"	32"	17"	11"	17"	13"	6-1/4"	10-1/2"
TF-307	7.5	45"	36"	17"	15"	17"	13"	6-1/4"	10-1/2"
TF-310	10	45"	40"	17"	19"	17"	13"	6-1/4"	10-1/2"
TF-315	15	51"	46"	17"	23"	17"	13"	6-1/4"	10-1/2"

NOTE: Standard color is Silver / Gray.

TF-300

For custom color PMS Code: [CLICK HERE](#)

09/26/2011 REV.0