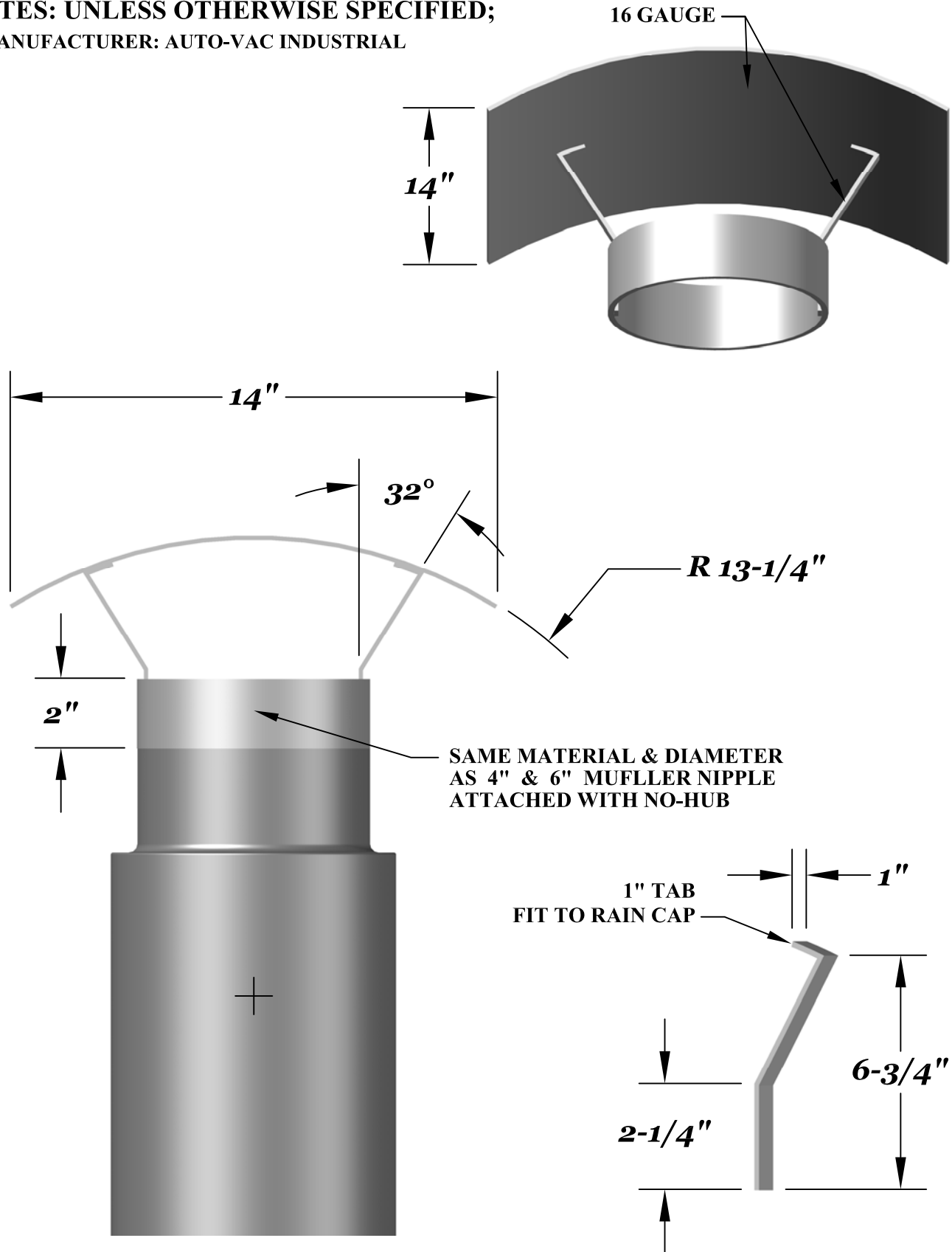


**NOTES: UNLESS OTHERWISE SPECIFIED;**

**1. MANUFACTURER: AUTO-VAC INDUSTRIAL**



	Name	Date
Designer:	W. Duty	8/16/11
Drafter:	W. Duty	8/16/11
Checker:	S. Tucker	8/16/11
Mfg. Approval:	S. Tucker	8/16/11
Engineering:	B. Tucker	8/16/11

**6" & 4" MUFFLER  
RAIN CAP**



DO NOT SCALE DRAWING

Rev. —

SCALE: N.T.S.

DWG. NO: 001

SH. NO: 001