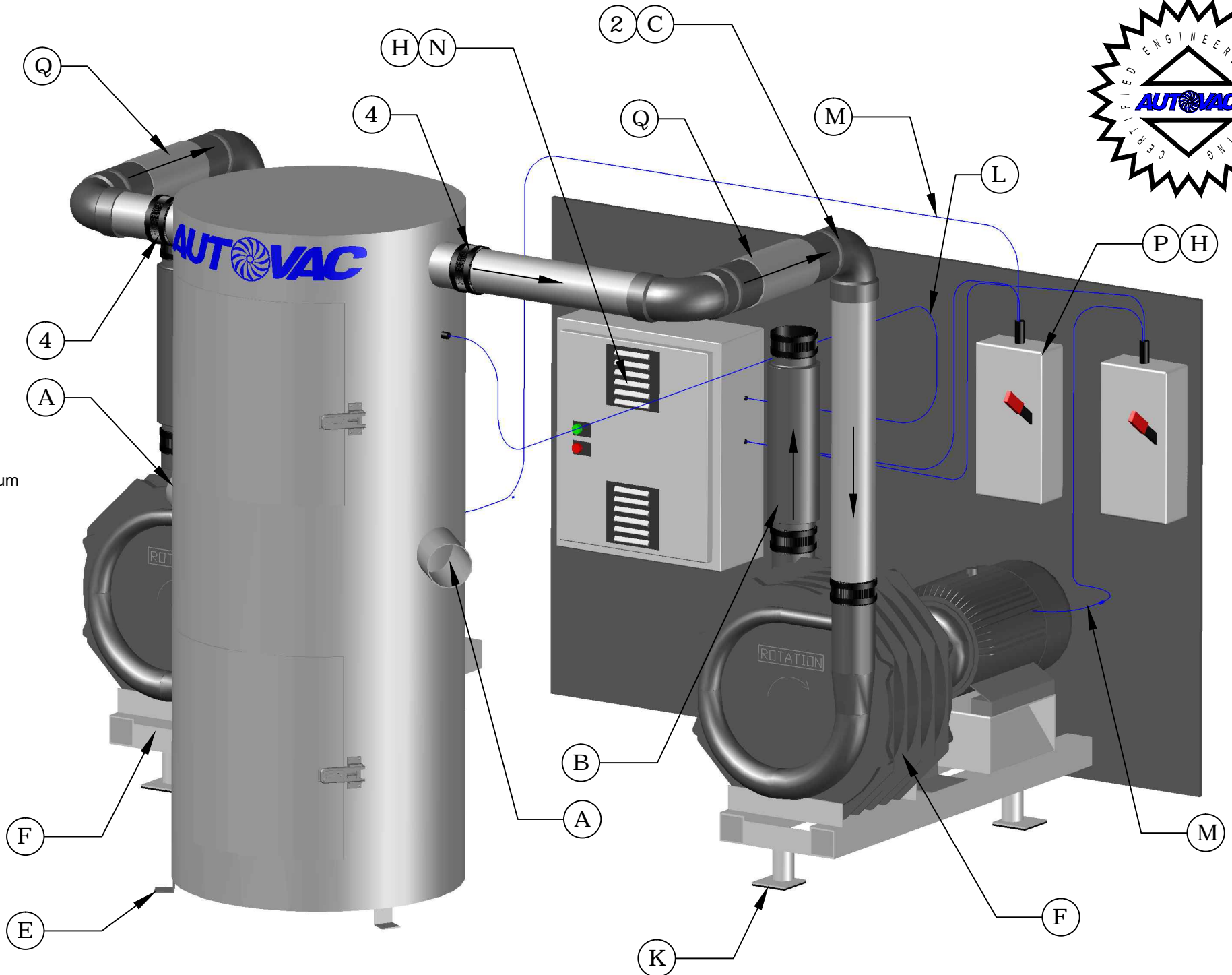


- (A) These lines carry dirt and debris from Vacuum Cleaning System, one or two lines are required.
- (B) 6" Vacuum Producer exhaust air. Pipe to atmosphere 20 ft. max. with metallic pipe no smaller than 4".
- (C) 6" Vacuum Producer inlet air and filter separator vacuum supply line.
- (D) Not used
- (E) Foot pad leg support, 3 locations typical.
- (F) Industrial duty 4 bearing, coupled vacuum producer.
- (G) Support pipe every 10 ft. minimum with an approved support hanger system. Never allow pipe to sag. Install hangers as needed. Sway brace as required.
- (H) Optional Equipment: Electrical connection required for disconnect switch, magnetic starter or Vacuum IQ to Vacuum Producer per local code. Installation location to vary.
- (I) Filter Separator Model # SF101Z.
- (J) 6" diameter pipe carries dirt from system. See pipe system drawings.
- (K) Foot pad leg support, 3 locations typical. Do not bolt down firm, leave lock nut on stud 1/2" above mounting plate.
- (L) Transducer cable from Separator to Vacuum IQ via conduit (supplied by others).
- (M) Motor control cable from Vacuum Producer to Vacuum IQ via conduit (supplied by others).
- (N) Vacuum I.Q (Optional)
- (P) Disconnect Switch
- (Q) 6" Metal Swing Check Valve with (2) 6" ABS Female Adapters (optional)



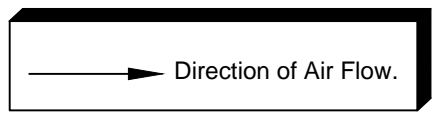
AUTOVAC
Industrial
Vacuum & Air Systems

APPROVED BY:	
DATE:	
DESCRIPTION:	
DRAWN BY:	
REVISION NUMBER:	

EQUIPMENT HOOK-UP PARTS LIST

NO.	DESCRIPTION	PART NO.	MFR.	QTY.
1	6" ABS PIPE	C521-0004	AUTOVAC	40'
2	6" ABS LONG SWEEP 90° ELBOW	C526-0204	AUTOVAC	7
3	6" ABS 45° ELBOW	C526-0004	AUTOVAC	2
4	6" NO-HUB	C591-0004	AUTOVAC	4
5	6" ABS FEMALE ADAPTER	C528-0004	AUTOVAC	2
6	6" ABS COUPLING	C527-0004	AUTOVAC	2

All pipe and fittings will be shipped ABS material DWV (drain, waste & vent) style fittings. All fittings will be long sweep directional flow. Partial reproduction of material inside borders is not authorized. copyright 2011, AVI Car Care, LLC



6" DUAL VACUUM PRODUCER, FILTER SEPARATOR EQUIPMENT HOOK-UP KIT ABS PIPE

X210-6

**6" DUAL VACUUM PRODUCER
FILTER SEPARATOR
EQUIPMENT HOOK-UP KIT - ABS**

CHECKED BY: MFG. APPROVAL SHEET NO. DATE: 12/17/12
 DRAWN BY: WBD3 SALES PERSON: M. TUCKER
 5 OF 5