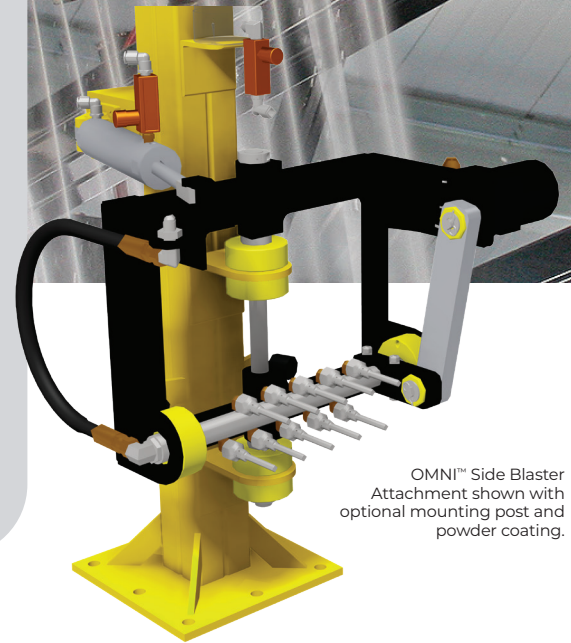


# OMNI™ Wash Attachments

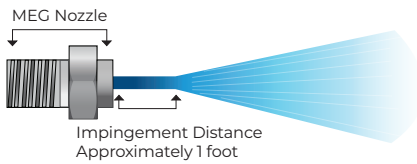
Sonny's OMNI™ Wash Attachments deliver industry-leading pivoting and oscillating high-pressure wash technology in a convenient attachment with hardware to mount to a Sonny's or PECO arch in your wash.

## Features

- Extreme impingement in a compact space to clean where you need it - from our high-impact Zero Degree Plus Nozzles.
- Simple maintenance with greaseless UHMW bushings, cast aluminum baskets, and stainless-steel manifolds.
- Follow wheels, flip at center or multiple times, and direct water at mirrors when programmed from your tunnel controller.

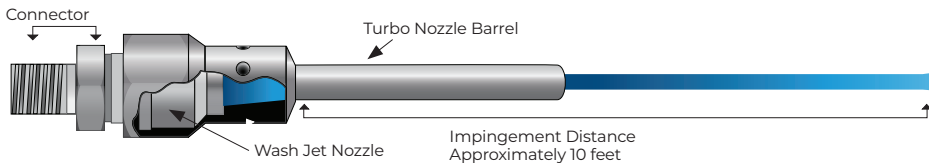


OMNI™ Side Blaster Attachment shown with optional mounting post and powder coating.



## Did You Know?

Tube Nozzles have a clear advantage over MEG nozzles when it comes to water impingement. Water impingement is the force that removes dirt and grime from the vehicle surfaces. The long barrel tube nozzle and patented water aerating technology allow the water to flow with a more precise, powerful and longer distance impingement as demonstrated by the graphic to the left. Tube nozzles are ideal where high pressure is required to reach all the surfaces and crevices of the vehicle without any profiling as in a Sonny's OMNI. An array of tube nozzles are positioned on pivoting frames on the top and side OMNI's to ensure complete cleaning of the vehicle.



## Specifications

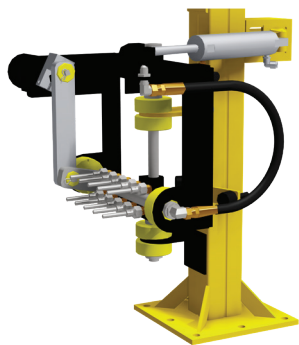
Water	Max. 20GPM @600PSI
Hydraulic	2.5GPM
Electric	3-Phase/208-460V

 CUSTOM COLOR POWDER COATING OPTION  
Contact a Sonny's Sales Representative for details.

Call 1-800-327-8723 to Order

Join Sonny's  
**OneWash**  
and Save

Get Exclusive Member Benefits!  
[www.sonnydirect.com/onewash](http://www.sonnydirect.com/onewash)

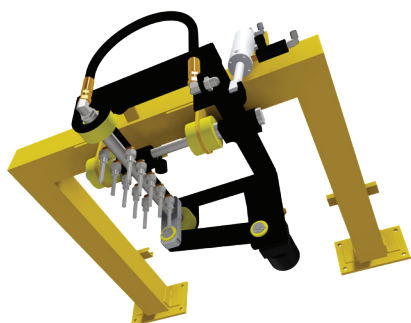


## OMNI™ Side Attachments

Single and Double Manifold PS Basket with optional mounting post.

Oscillating	Single Manifold*		Dual Manifold*	
	Hydraulic	Electric	Hydraulic	Electric
OMNI™ Side Blaster	\$11,257.05	\$13,576.50	\$16,191.00	\$18,685.80
OMNI™ Wheel Blaster	\$11,257.05	\$13,576.50	\$16,191.00	\$18,685.80

\*Specify 1GPM, 2GPM or 3GPM nozzles when ordering  
Material ID: OMNI\_BKT\_SIDE



## OMNI™ Top Attachments

Single and Double Manifold PS Basket with optional mounting post.

Oscillating	Single Manifold*		Dual Manifold*	
	Hydraulic	Electric	Hydraulic	Electric
OMNI™ Top Attachment	\$6,873.30	\$7,996.80	\$9,536.10	\$10,800.30

\*Specify 1GPM, 2GPM or 3GPM nozzles when ordering  
Material ID: OMNI\_BKT\_TOP

## Drive Blocks for Top, Side and Wheel Basters



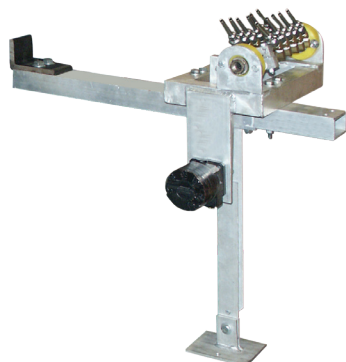
Top Blaster Models:  
Features a side-to-side oscillation that covers all horizontal surfaces.



Side Blaster Models:  
Features a full oscillation from the bottom of the wheel to the bottom edge of most windows.



Wheel Blaster Models:  
Features a restricted oscillation with a shorter stroke for greater concentration on wheels.



## OMNI™ Pivoting Bumper Blaster

Blast dirt and bugs from bumper and grills with no additional tunnel length and eliminate the prepping needs.

- Mounts in conveyor pit. Support leg easily adjusts for any conveyor pit depth
- Independent hydraulic motor pivots manifold for increased coverage
- UHMW bearings require no maintenance

Item No.	Description	Drive	Price
20006311	OMNI Plus Bumper Blast Cleaner, Single	Hydraulic Motors	\$4,345.74