



Wipe-O-Matic



Owner's Manual

Sonny's Enterprises, Inc.
5605 Hiatus Road
Tamarac, Florida 33321
15v2



Table of Contents

WARNING *SAFETY REQUIREMENTS* WARNING	3
INTRODUCTION	5
Product Specifications	6
Utilities Requirements	8
Dimensions	9
Wipe-O-Matic Installation	13
Adjustments and Testing	16
GENERAL OPERATION	17
PREVENTIVE MAINTENANCE	18
WARRANTY	19
CUSTOMER SERVICE	20



WARNING *SAFETY REQUIREMENTS* WARNING

1. All employees must be thoroughly trained in safe operation and standard maintenance practices. All employees must review this entire manual monthly.
2. Do not enter the wash tunnel when the equipment is operating. Death or dismemberment may occur.
3. Do not wear loose fitting clothing or jewelry around moving equipment. Do not allow any part of your body or other objects (including ladders, hoses or tools) to come in contact with moving equipment. Entanglement may result causing death or dismemberment.
4. Do not leave a ladder or any other items such as wash down hoses or tools in the wash tunnel while equipment is running. Vehicle damage and injury, including death, can occur.
5. Always exercise caution when walking (never run) through the wash tunnel as there may be slippery conditions. Be careful so you do not bump into or trip over equipment.
6. Only those employees specifically instructed and trained by the location management are permitted to enter the wash tunnel to perform inspections or maintenance. At least two qualified maintenance people must be present when performing equipment repairs or preventive maintenance.
7. Do not perform any maintenance or work on equipment unless you first perform Lock-Out Safety Precautions. All electrically powered equipment must have manually operated disconnects capable of being locked in the "OFF" position. Equipment that has been "locked out" for any reason must be restarted only by the person who performed the "lock out" operation.
8. When working on any equipment that is higher than your shoulders, always use a fiberglass ladder that is in good condition.
9. Do not attempt to repair or adjust any pressurized liquid or pneumatic part, hose, pipe or fitting while that equipment is in operation.
10. Electrical connections and repairs must be performed by a Licensed Electrician Only.
11. Emergency "STOP" buttons must be well marked and their location and proper use reviewed with all personnel. Any activated "STOP" button must be reset only by the person who activated it. Clear the wash tunnel of any people, ladders, hoses, tools and other loose items before restarting the equipment. An audible device must sound to warn people that the equipment is starting.
12. Do not operate any piece of equipment that requires safety covers with those covers removed or improperly installed. Do not operate any piece of equipment if any component of that piece is suspected to be defective or malfunctioning.



Equipment Program - Manuals Wipe-O-Matic

13. Store all cleaning and washing solutions and oils in a well-ventilated area. Clean up fluid spills immediately to prevent hazardous safety conditions. Be certain to follow all safety procedures on SDS Sheets for each chemical product used.
14. All hydraulic and electric systems in the wash tunnel equipped with a torque relief or overload should be checked and set at the minimum amount that will allow for proper functionality under normal washing conditions.
15. No unauthorized people should ever be permitted in the wash tunnel or near the equipment at any time.

* * *

!! CAUTION !!

When a piece of equipment must be in operation during inspection or maintenance, one qualified technician must stay at the power disconnect switch while another qualified technician performs the inspection or maintenance.



INTRODUCTION

This Owner's Manual contains information that is vital to the successful installation, operation and maintenance of your SONNY'S Vehicle washing equipment.

Please read, and understand, the full contents of this manual before installation and operation of the equipment. Keep this booklet in a location where it may be used for ongoing reference.

Should you have any questions on the operation of servicing of this equipment please contact

**TECHNICAL SERVICES DEPT.
SONNY'S ENTERPRISES INC.
5605 Hiatus Road
TAMARAC, FLORIDA
TELEPHONE: 800-327-8723 FAX: 800-495-4049**

THANK YOU FOR YOUR CONFIDENCE IN SONNY'S !!!!!





Product Specifications

- Frame and legs constructed from aluminum or stainless steel
- Includes 24 overlapping manmade synthetic chamois
- Retract for tire shine and pickup beds
- Adjustable wringing system keeps the chamois clean
- Chamois removable for washing
- D81X chain included
- Hydraulic or electric drive
- 1/2 inch city water connection

Hand-Dried Finish Without the Hands



Problem:

You need to remove residual water from the vehicle surfaces without adding expensive labor for hand drying.

Solved:

SONNY'S Wipe-O-Matic placed at the end of the tunnel after your dryers, consistently wipes away any residual water left on the vehicle, providing a hand-dried finish without the expensive hands.

- Includes 24 overlapping synthetic chamois cloths that wipe and absorb water from the surface as it travels across the vehicle
- Placed after a blower system to wipe up any residual water left on the vehicle's surface.
- Adjustable rubber wringers squeeze out water, preparing chamois to move across the vehicle
- The chamois wipes up from just above the molding line on the side of the vehicle and dries all top surfaces, making it ideal for Express Exterior locations
- Optional retract keeps chamois from traveling inside truck beds
- Optional programmable retract allows Wipe-O-Matic to be used in conjunction with a tire dressing machine



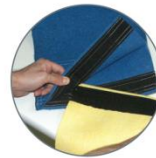
Adjustable wringing mechanism keeps each of the 24 overlapping synthetic chamois cloths ready to dry.



Soft synthetic chamois is safe on all vehicle surfaces.



Optional Tire Shine retract lifts chamois above wheel well to allow online dressing application. Full retract also available for pickup truck beds.



The chamois cloth is attached with heavy duty velcro to the bottom of the curtain for easy replacement.

Specifications

	Inches	Metric
Footprint Length	72in	1.83m
Footprint Width	215in	5.46m
Unit Height	134in	3.40m



INSTALLATION

Utilities Requirements

**UTILITIES INTERCONNECTION AND THE MATERIALS REQUIRED FOR INTERCONNECTION TO SONNY'S EQUIPMENT ARE THE RESPONSIBILITY OF THE CUSTOMER !
PERFORM ALL TRADES WORK TO ALL APPLICABLE LOCAL AND NATIONAL CODES !**

Water

- The Customer's Plumber is to provide and install a 1/2 inch city water line @60psi (nominal) to the solenoid valve to the water distribution system for the wringer.

Electrical

- The Customer's Electrician is to provide and install single phase power from the (24 or 110 VAC as determined at time of order) from the Customer's Controller system to the liquid solenoid valve for the wringer spray bars and, if required, the motor starter coil for the hydraulic power pack feeding the wringer and chain drive and any pump motor for the chemical distribution system.
- Where applicable, the Customer's Electrician is to provide materials and install 208VAC or 230VAC or 460VAC, 3-phase, 60Hz power to the electric motor on the hydraulic power pack or VFD panel from a properly sized three pole circuit breaker and motor starter with three thermal overloads.

Retract Kit Requirements

Electrical

- The Customer's Electrician is to provide and install single phase power from the remote push-button station through the tunnel equipment programmer to the supplied air solenoid valve on the Air Distribution Manifold for retract of both top and side wringers upon selective signal (See Figure #4 in Dimensions Section).

Compressed Air

- The Customer's Plumber is to provide and install a 1/2 inch compressed air line from the Air Compressor to the Air Distribution Manifold for the Retract functions.

Dimensions

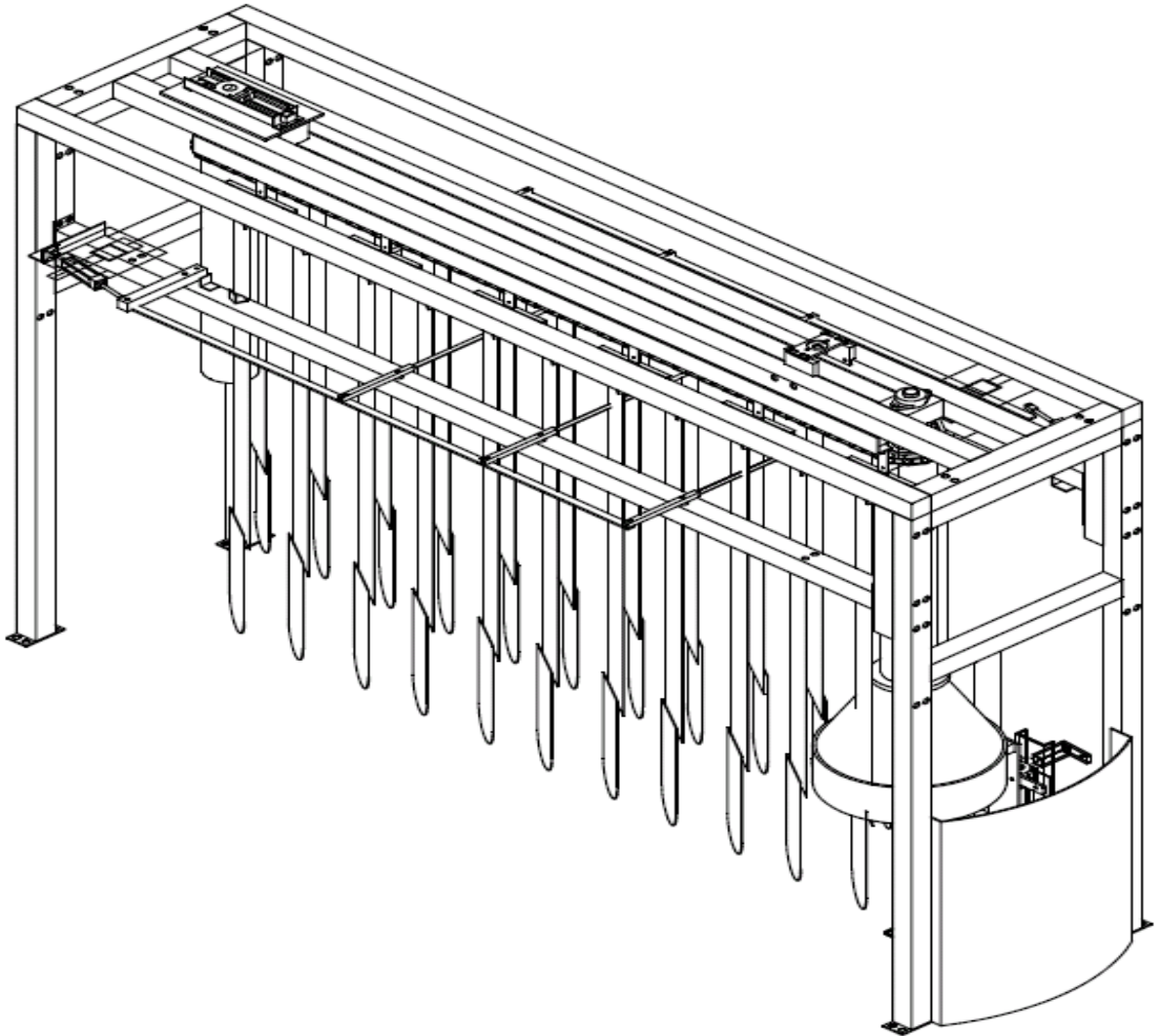


Figure #1

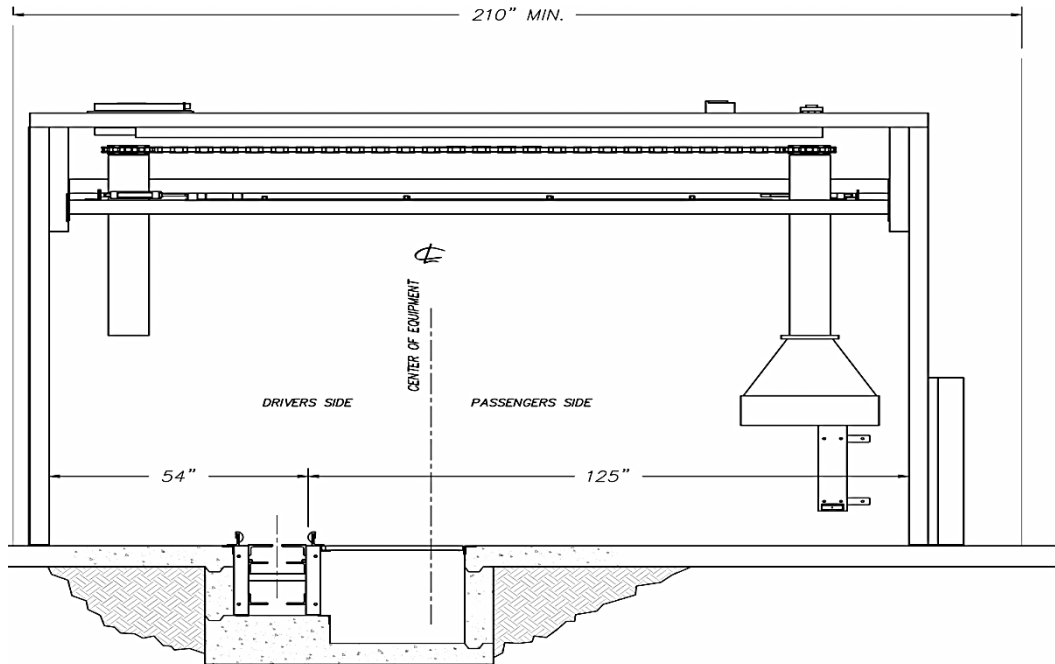


Figure #2

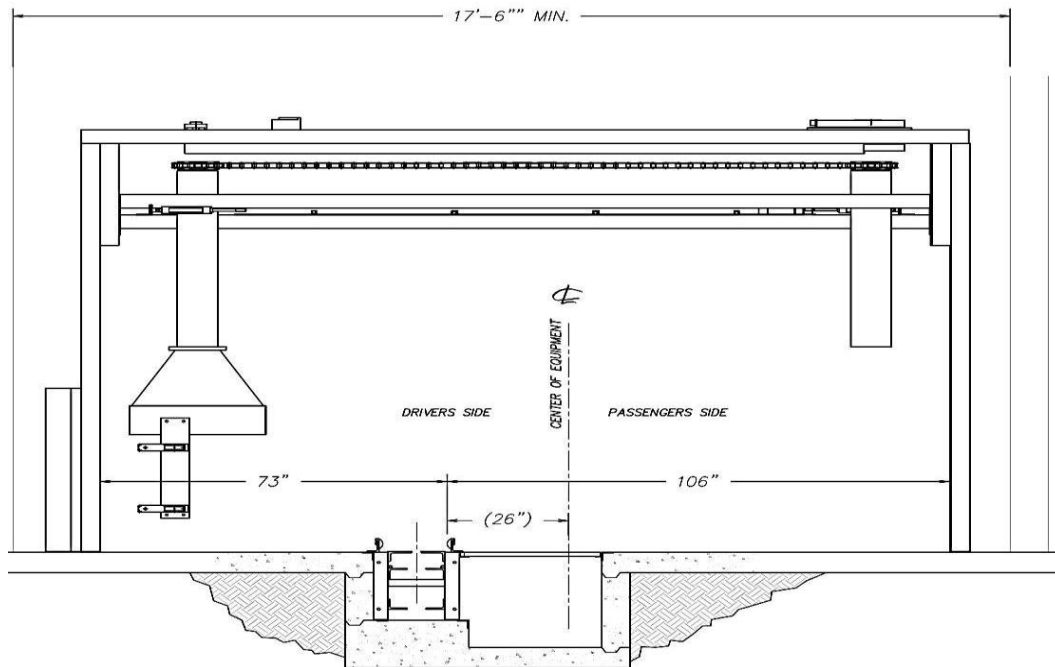


Figure #3

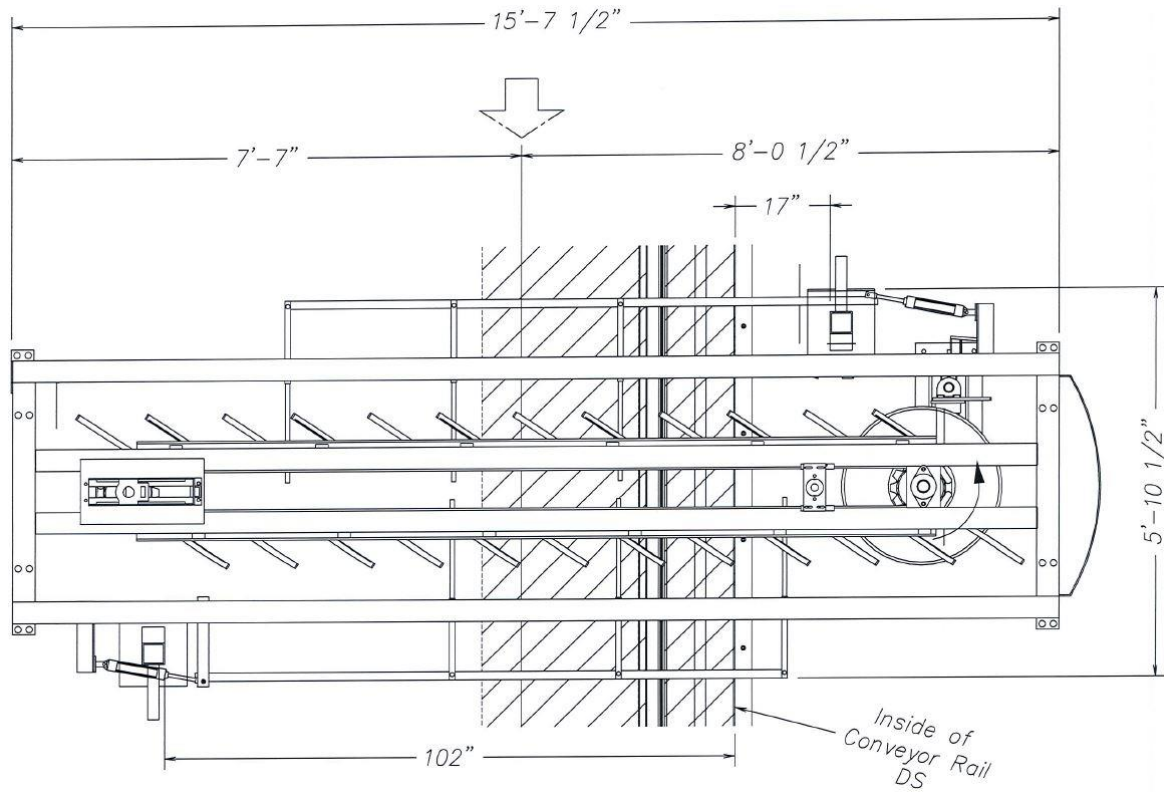


Figure #4

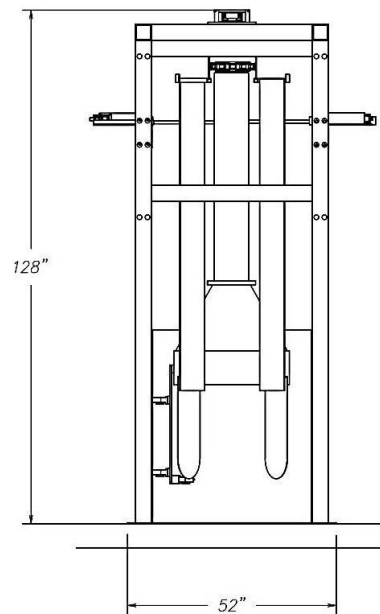


Figure #5

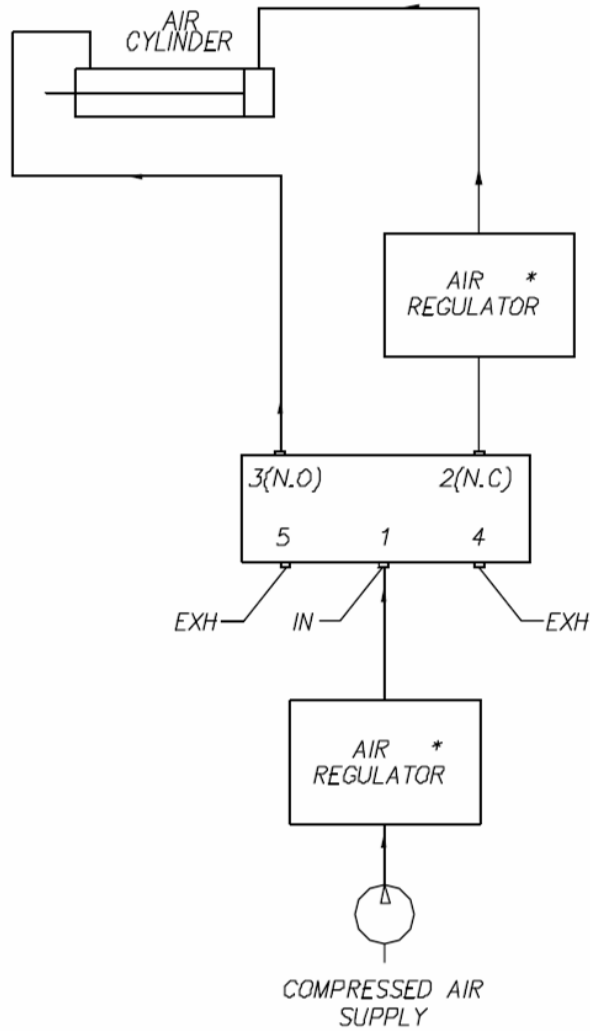


Figure #6



Equipment Installation

Wipe-O-Matic Installation

Tools

1. Safety Glasses
2. ½" Drive Ratchet Set
3. Standard Combo Wrenches
4. Tape Measure
5. Permanent Marker
6. 4' Level
7. Electric Impact Wrench
8. 5' Pry Bar
9. 1" Hammer Drill
10. Sledge Hammer
11. Fork Lift
12. C-clamps

Consumables

1. Teflon Paste
2. Teflon Tape
3. Anti-Seize Compound

Work Force

Three (3) persons

Time (assuming no problems)

2.00 - 4.00 hours

Installation Steps

1. Locate the Wipe-o-Matic frame and attach it to the forklift using c-clamps. Then place it in its pre-determined location inside the tunnel.



2. Two (2) people need to locate the legs of the Wipe-O-Matic and load them onto the forklift, taking them inside the tunnel.
3. An additional two (2) people should be positioned on ladders, with one (1) person and one (1) ladder on each side of the tunnel.
4. With both people holding the legs, raise the frame up until it moves into place and adjust the bolts. Start on the passenger side and then repeat these steps on the driver side.



5. Locate the retract arms in the staging area and move them into the tunnel area by hand. Inside the tunnel have two (2) people positioned on ladders, one (1) on each side of the tunnel, to help lift the retract arms into position. Insert the bolts and bolt the arms in place.

Note: The arms need to extend towards the center of the Wipe-O-Matic.

6. Locate the wringer in the staging area and bring it inside the tunnel area using the forklift. Once inside the tunnel lower it into place, sliding it over by hand, to the frame, and then bolt it in place.
7. Next locate the cloth and wringer guides in the staging area and take them into the tunnel area by hand. Attach these to the sprockets on the Wipe-O-Matic, with the larger guide on the driver side and the smaller guide on the passenger side. Finally, the wringer guides are lifted and bolted in place on the sprocket.





Equipment Program - Manuals Wipe-O-Matic

8. Run a feed line (Black) from the flow control on the hydraulic power pack, to the motor on the wringer.

Note: Ensure correct rotation. Cloth should be rinsed then sent through the wringer. Run a feed line (Black) from the other side of the motor on the wringer to the inlet on the chain drive motor.

9. From the chain drive motor run a return line (Red) back to the return on the hydraulic power pack.

10. Run 2 3/8" poly flow hose from the Mack valve out to the retract cylinders.

Note: If using retract for pick-up beds and tire shine two separate Mac valves must be used.



Adjustments and Testing

Speed

1. Adjust the wiping speed of the Wipe-O-Matic by adjusting the flow-control valve on the hydraulic power pack.
2. The speed should be set so that the curtain has thorough contact with the side of the vehicle, and gently glides across the horizontal surfaces.
3. Adjust the rubber wringers. Squeeze out water from the chamois.

Speed and Torque Adjustment (where applicable)

1. Hydraulic
 - a. The speed can be adjusted on the flow control for the power pack.
 - b. To increase the speed move the handle on the flow control closer to the number 10.
 - c. To decrease the speed move the handle on the flow control closer to the number 1.
 - d. The torque must be set prior to operation and should be set between 600 and 900 PSI. For information on how to set the torque please refer to the Hydraulic Power Pack Manual.
2. Electric
 - a. The speed can be adjusted on the Variable Frequency Drive (VFD).
 - b. To increase the speed adjust the Hertz on the VFD to a higher number.
 - c. To decrease the speed adjust the Hertz on the VFD to a lower number.
 - d. The Overload on the Motor Starter protector(s) must be set at the lowest level to allow for operation. Adjust the amps in accordance with motor(s) name plate.

Chain Tension

1. Ensure the D81X chain is not slack, as this could cause jams.
2. When the chain has become slack no further adjustments can be made. It may be necessary to remove a chain link.

Wet Down

1. The unit needs to be ran during the wet down cycle to ensure each chamois is wet.



GENERAL OPERATION

Wipe-O-Matic Operation

Wringer movement starts and stops with a signal from the Customer supplied Controller system to the Customer's hydraulic power pack which drives the hydraulic motors. This Controller Start-Stop signal should also control water delivery to the wringer.

BE CERTAIN THAT THE CURTAINS ROTATE COUNTERCLOCKWISE

Optional Retract Operation

The Wipe-O-Matic retracts option requires two separate functions.

Item # WOM100RET select voltage 24/110

Top retract is used for trucks -pickup beds, roof racks, etc. When selected by operator's remote programmer push button station the Wipe-O-Matic is activated to retract. This is accomplished, when the button is pressed, by completing an electrical circuit through the equipment programmer to pass single phase power at the present pulse count of the programmer to the retract air solenoid valve. The air solenoid valve now opens and allows compressed air to pass through to the rod end port of each air cylinder causing the Top arm to retract, the Wipe-O-Matic curtain – the chamois.

Item # WOM100TSARP select voltage 24/110

Side retract is used in conjunction with the Tire Shiner / When selected by operator's remote programmer the tire shiner and Wipe-O-Matic should be in conjunction of each other. This is a programmable function.



PREVENTIVE MAINTENANCE

DAILY

1. If equipped with an electric motor, check for leaks around the gear reducer.
2. If equipped with a hydraulic motor, check for leaks around hoses and fittings, and repair any hydraulic leaks immediately.
3. Perform general examination of operation, listening for any unusual noises.
4. Observe retract operation. It should be smooth and retract completely.
5. During Closing Checks, check the condition of cloth. If dirty, clean using prep gun.

WEEKLY

1. Grease all rotational bearings, being careful not to get any grease on the cloths.
2. Check chain tension, remove links if necessary.
3. Check wringers to ensure sufficient pressure, adjust if necessary.
4. Remove and wash chamois as needed.

FOR THE FIRST MONTH OF OPERATION CHECK ALL HARDWARE AND FITTINGS FOR TIGHTNESS EACH WEEK. PERFORM THIS INSPECTION TO THE SCHEDULE SHOWN BELOW AFTER THE FIRST MONTH OF OPERATION.

MONTHLY

1. Inspecting all hardware and fittings for tightness.
2. Inspect spray nozzles for wear. Replace as necessary.
3. Thoroughly clean the equipment and framework.

SEMI-ANNUALLY

1. Carefully inspect equipment cloth for wear and damage. Replace as necessary.



WARRANTY

SONNY'S ENTERPRISES, INC. FACTORY LIMITED LIFETIME WARRANTY

Equipment manufactured by SONNY'S ENTERPRISES, INC. is warranted to be free from defect in material and workmanship. Welded metal framework and other non-moving, non-wearable fabricated metal components manufactured by SONNY'S are warranted for the life of the equipment to the original purchaser. Fabricated metal wearable surface and moving components manufactured by SONNY'S are warranted for a period of one (1) year to the original purchaser of the equipment.

All components assembled to SONNY'S equipment that are manufactured by others are warranted by the appropriate manufacturer and subject to that manufacturer's limited warranty. Contact SONNY'S for the specific information on other component manufacturer's warranty terms. All new cloth shipped with new SONNY'S equipment is warranted for a period of one (1) year or 80,000, whichever occurs first.

This warranty is not assignable or transferable. The warranty period begins the first day following installation or 30 days from the original invoice date, whichever occurs first. The Seller's liability shall be limited to repair or replacement of materials found to be defective within the warranty period. In the event of repair or replacement this limited warranty is noncumulative. The Purchaser must supply the Seller with immediate written notice when any defects are found. The Seller shall have the option of requiring the return of defective material to establish the Purchaser's claim. Neither labor nor transportation charges are included in this warranty. Transportation damage claims are to be submitted to the carrier of the damaged materials.

This warranty is based upon the Purchaser's reasonable care and maintenance of the warranted equipment. It does not apply to any equipment which has been subject to misuse, including neglect, accident or exposure to harsh chemicals or chemicals that react violently with: water, organic acids (e.g. acetic acid), inorganic acids (e.g. hydrofluoric acid), oxidizing agents (e.g. peroxides), and metals (e.g. aluminum). Chemicals corrosive to: aluminum alloys, carbon steel, and other metals. Nor does it apply to any equipment which has been repaired or altered by anyone not so authorized by SONNY'S. Further, the equipment must be properly installed with proper accuracy of all specified plumbing, electrical, and mechanical requirements. This warranty does not apply to normal wear and tear or routine maintenance components.

EXCEPT AS EXPRESSLY STATED HEREIN, SONNY'S SHALL NOT BE LIABLE FOR DAMAGES OF ANY KIND IN CONNECTION WITH THE PURCHASE, MAINTENANCE, OR USE OF THIS EQUIPMENT INCLUDING LOSS OF PROFITS AND ALL CLAIMS FOR CONSEQUENTIAL DAMAGES. THE LIMITED WARRANTY EXPRESSED HEREIN IS IN LIEU OF ALL OTHER WARRANTIES EXPRESSED OR IMPLIED. SONNY'S NEITHER ASSUMES NOR AUTHORIZES ANY PERSON TO ASSUME FOR IT ANY OTHER OBLIGATION OR LIABILITY IN CONNECTION HEREWITH.



CUSTOMER SERVICE

Please contact SONNY'S Equipment Department for installation and/or operational questions regarding this piece of equipment.

Please refer to the Parts Catalog and contact SONNY'S Customer Service Order Entry Department for any replacement parts for this piece of equipment.

You can also visit the web at www.SonnysDirect.com.

DEPARTMENT

Toll Free Main Line
Equipment Department

PHONE NUMBERS

800-327-8723
954-720-4100

FAX NUMBERS

800-495-4049
954-720-9292

Or you can email Sales at sales@SonnysDirect.com

Thank you for being a SONNY'S car wash equipment owner!

From all of us here at

