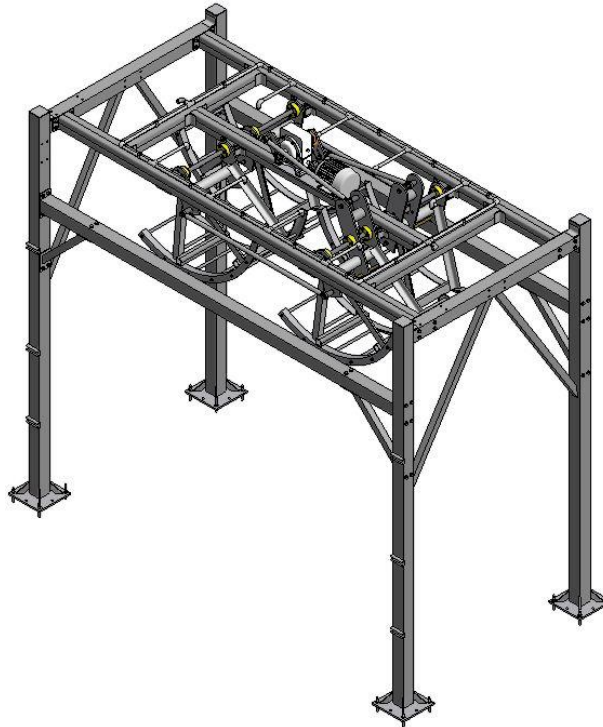




Mitter Conversion: 804 / 805 / 807



Owner's Manual

Sonny's Enterprises, Inc.
5605 Hiatus Road
Tamarac, Florida 33321
16v1



Table of Contents

WARNING *SAFETY REQUIREMENTS* WARNING	3
INTRODUCTION	5
Product Specifications	6
INSTALLATION	8
Utilities Requirements	8
Equipment Installation	9
Adjustments and Testing.....	19
GENERAL OPERATION	20
PREVENTIVE MAINTENANCE	21
WARRANTY	22
CUSTOMER SERVICE	23



WARNING *SAFETY REQUIREMENTS* WARNING

1. All employees must be thoroughly trained in safe operation and standard maintenance practices. All employees must review this entire manual monthly.
2. Do not enter the wash tunnel when the equipment is operating. Death or dismemberment may occur.
3. Do not wear loose fitting clothing or jewelry around moving equipment. Do not allow any part of your body or other objects (including ladders, hoses or tools) to come in contact with moving equipment. Entanglement may result causing death or dismemberment.
4. Do not leave a ladder or any other items such as wash down hoses or tools in the wash tunnel while equipment is running. Vehicle damage and injury, including death, can occur.
5. Always exercise caution when walking (never run) through the wash tunnel as there may be slippery conditions. Be careful so you do not bump into or trip over equipment.
6. Only those employees specifically instructed and trained by the location management are permitted to enter the wash tunnel to perform inspections or maintenance. At least two qualified maintenance people must be present when performing equipment repairs or preventive maintenance.
7. Do not perform any maintenance or work on equipment unless you first perform Lock-Out Safety Precautions. All electrically powered equipment must have manually operated disconnects capable of being locked in the "OFF" position. Equipment that has been "locked out" for any reason must be restarted only by the person who performed the "lock out" operation.
8. When working on any equipment that is higher than your shoulders, always use a fiberglass ladder that is in good condition.
9. Do not attempt to repair or adjust any pressurized liquid or pneumatic part, hose, pipe or fitting while that equipment is in operation.
10. Electrical connections and repairs must be performed by a Licensed Electrician Only.
11. Emergency "STOP" buttons must be well marked and their location and proper use reviewed with all personnel. Any activated "STOP" button must be reset only by the person who activated it. Clear the wash tunnel of any people, ladders, hoses, tools and other loose items before restarting the equipment. An audible device must sound to warn people that the equipment is starting.
12. Do not operate any piece of equipment that requires safety covers with those covers removed or improperly installed. Do not operate any piece of equipment if any component of that piece is suspected to be defective or malfunctioning.



Equipment Program - Manuals Mitter Conversion: 804 / 805 / 807

13. Store all cleaning and washing solutions and oils in a well-ventilated area. Clean up fluid spills immediately to prevent hazardous safety conditions. Be certain to follow all safety procedures on SDS Sheets for each chemical product used.
14. All hydraulic and electric systems in the wash tunnel equipped with a torque relief or overload should be checked and set at the minimum amount that will allow for proper functionality under normal washing conditions.
15. No unauthorized people should ever be permitted in the wash tunnel or near the equipment at any time.

* * *

!! CAUTION !!

When a piece of equipment must be in operation during inspection or maintenance, one qualified technician must stay at the power disconnect switch while another qualified technician performs the inspection or maintenance.



INTRODUCTION

This Owner's Manual contains information that is vital to the successful installation, operation and maintenance of your SONNY'S vehicle washing equipment.

Please read, and understand, the full contents of this manual before installation and operation of the equipment. Keep this booklet in a location where it may be used for ongoing reference.

Should you have any questions on the operation or servicing of this equipment please contact

TECHNICAL SERVICES DEPT.

SONNY'S ENTERPRISES INC.

5605 Hiatus Road

TAMARAC, FLORIDA 33321

TELEPHONE: 800-327-8723 FAX: 800-495-4049

THANK YOU FOR YOUR CONFIDENCE IN SONNY'S !!!!!





Product Specifications

- Mitter, SFM 804 & 805 Conversion into an 807 Flat Basket
- Easy conversion to new style
- Flat basket provides side-to-side sweeping motion



Problem:

You need to clean hard to reach flat surfaces and angles as well as thoroughly buff premium waxes and sealants for a shine that customer can see when paying for these extra services.

Solved:

SONNY'S Side-to-Side Mitters deliver unparalleled motion and cleaning in two configurations. The SFM807 mounts material perpendicular to the vehicle for a gentle slide and twist motion that eliminates slapping for drive through customers. The SFM805 half-moon basket increases cloth movement for broader cleaning. Both deliver an increased shine your customers will notice.



- Durable QuadX aluminum frame
- Reliable greaseless UHMW bearings
- Includes water manifold
- 1-1/2HP 3-Phase 208-460V wash-down duty TEFC electric motor
- Direct-drive HERA gear box 40:1 (807) 60:1 (805)
- Shown with optional powder coating

Specifications

	Common Specifications	
	Inches	Metric
Footprint Width	144in	3.65m
Height	142in	3.60m
Vehicle Clearance	90in	2.28m
Water Inlet	3/4in	19mm
Electric Option	1-1/2HP 3-Phase 208-460V wash-down duty TEFC	
Hydraulic Option	6GPM Per Motor	

	SFM807 Standard Frame Combo				SFM805/807 Narrow Frame Combo			
	Standard Frame		With 50in bottom Exit Side Brush		Narrow Frame		With 50in bottom Exit Side Brush	
	Inches	Metric	Inches	Metric	Inches	Metric	Inches	Metric
Footprint Length	80in	2.03m	137in	3.47m	54in	1.37m	110in	2.79m



INSTALLATION

Utilities Requirements

**UTILITIES INTERCONNECTION AND THE MATERIALS REQUIRED FOR
INTERCONNECTION TO SONNY'S EQUIPMENT ARE THE RESPONSIBILITY OF THE
CUSTOMER !
PERFORM ALL TRADES WORK TO ALL APPLICABLE LOCAL AND
NATIONAL CODES !**



Equipment Installation

TotalShine, Double/Triple Drip Attachment

Tools

1. Safety Glasses
2. Ladder
3. Standard Combo Wrenches
4. Standard Screwdriver
5. Tape Measure
6. Hand Drill and Bits

Work Force

Two (2) to three (3) persons

Consumables

1. Stainless Steel Mitter Bolt Kit
2. Markers (Red & Black)
3. Rags
4. Aluminum Cleaner

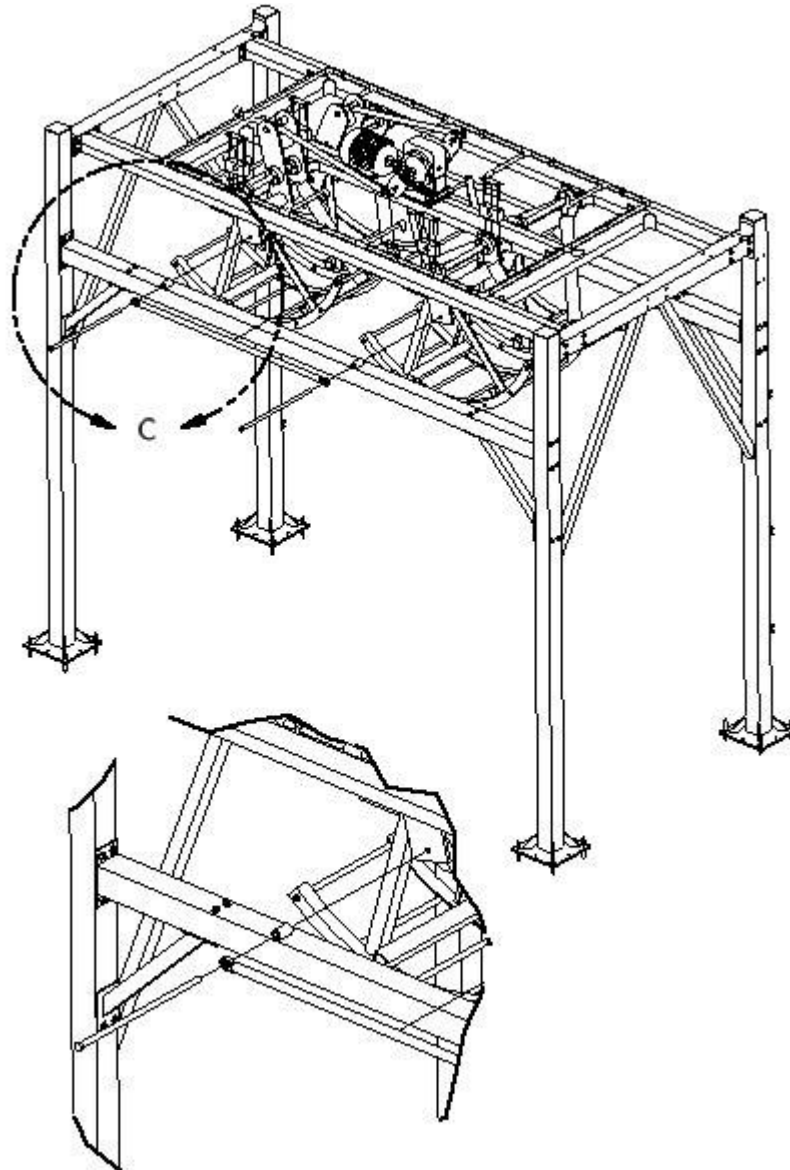
Time (assuming no problems)

3.00 Hours

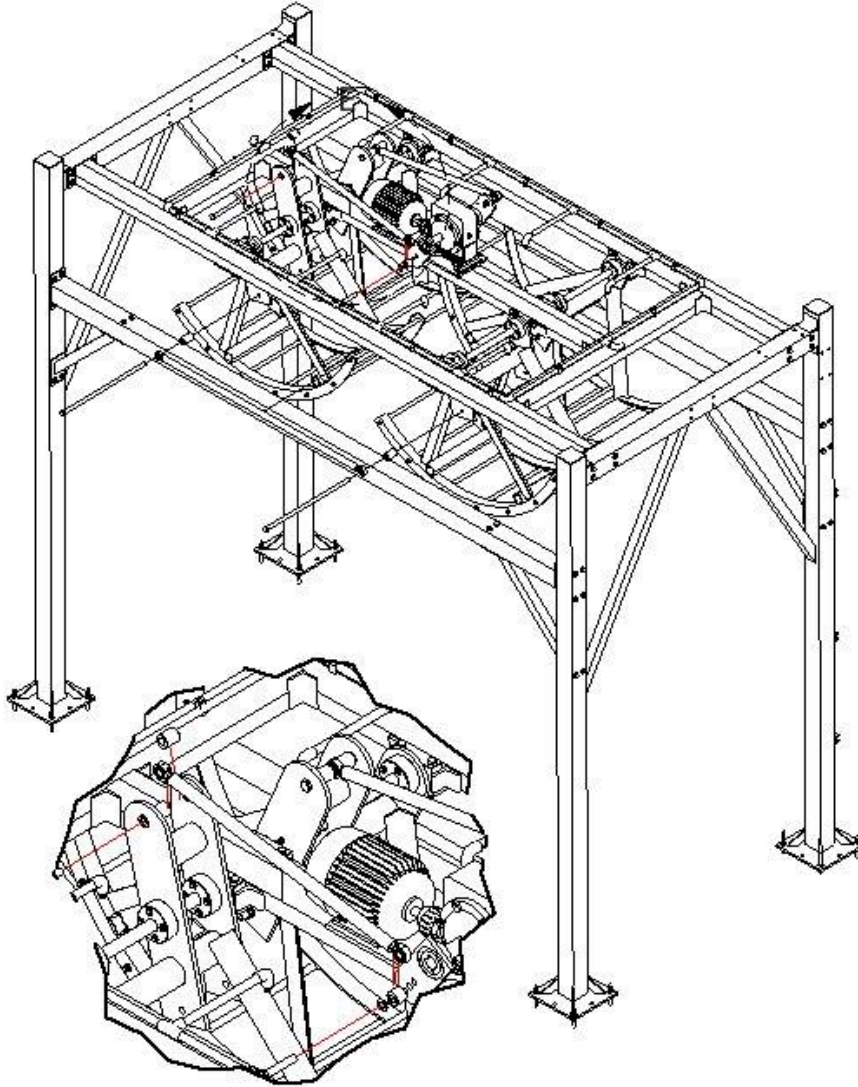
Installation Steps

1. Do not perform any work on equipment unless you first perform Lock-Out Safety Precautions. All electrically powered equipment must have manually operated disconnects capable of being locked in the "OFF" position. Equipment that has been "locked out" for any reason must be restarted only by the person who performed the "lock out" operation.
2. The cloth on the old baskets makes the baskets hard to handle. It is recommended to remove the cloth before moving to step 3. Clean existing legs and sweep area clean.

3. Disconnect the connecting rod from the basket shown in the diagram below. Place all connecting rods and hardware aside. This step will disconnect the round baskets from their connection to each other. Make sure **everyone** is prepared for the baskets to rock back and forth. **Use caution.**



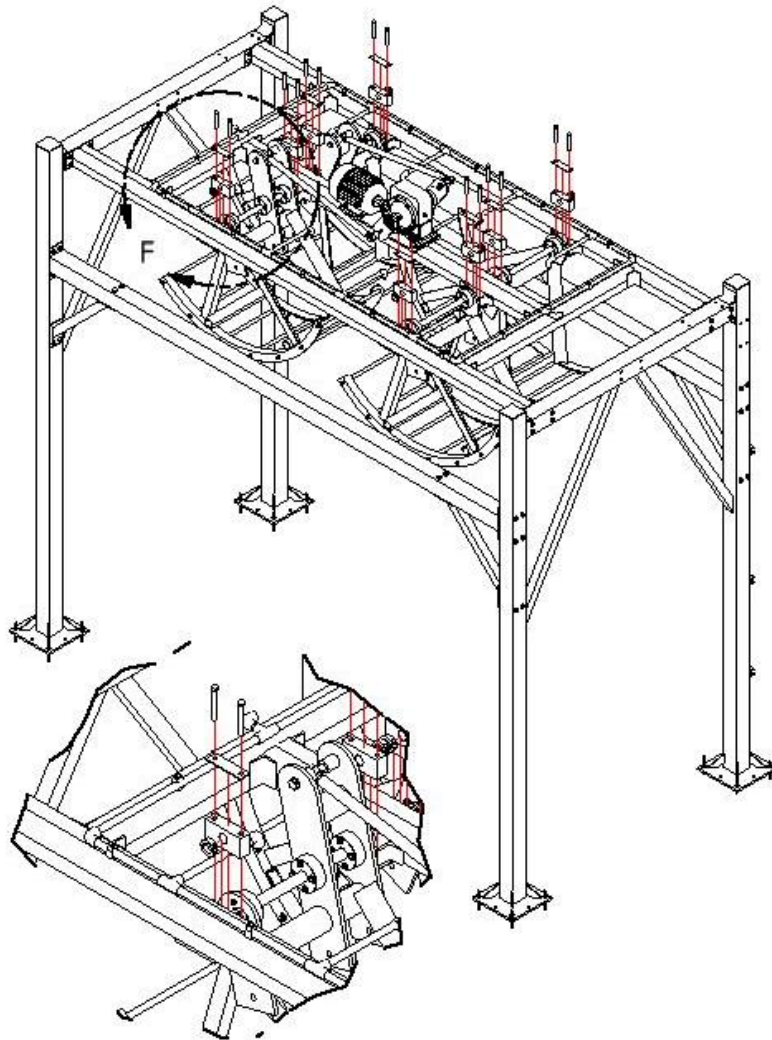
4. Disconnect the connecting rod from the pitman arm as shown in the diagram below. Place all connecting rods and hardware aside. This step will disconnect the baskets from the motor and gearbox. **Use caution.**



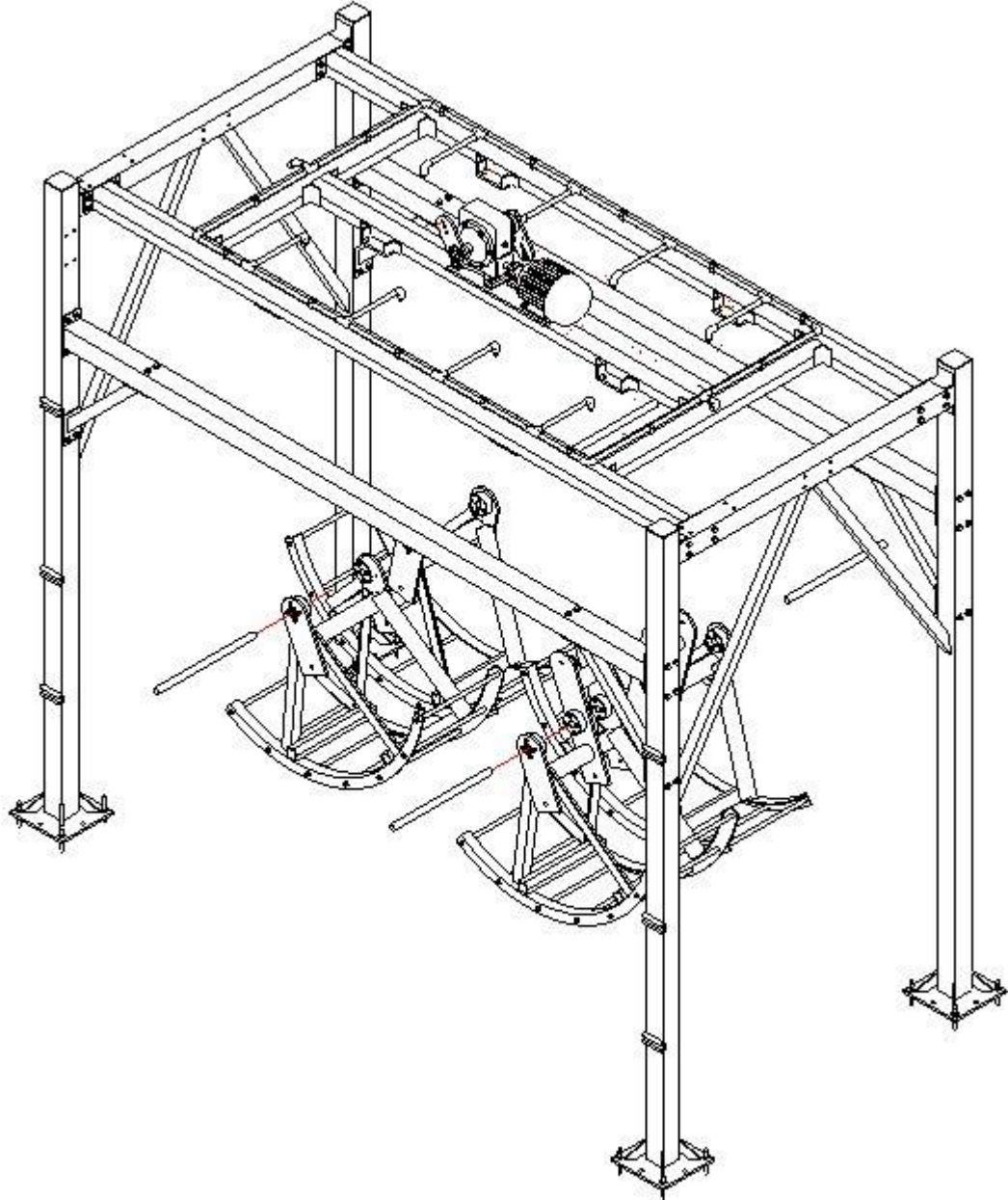
5. Use **EXTREME CAUTION** during this next step. Remove the bearing blocks, bearing block top plates, stainless steel bolts, stainless steel washers and nuts from the top of the basket where the shafts are aligned with the bearing blocks as shown in the diagram below.
- First remove the bolts on the top of the bearing blocks pulling away the bearings and top plates using a drill.
 - Then remove the collars.

CAUTION: Make sure your work force is supporting the baskets you are removing. This step will unsecure the baskets and they will not be supported by any structure.

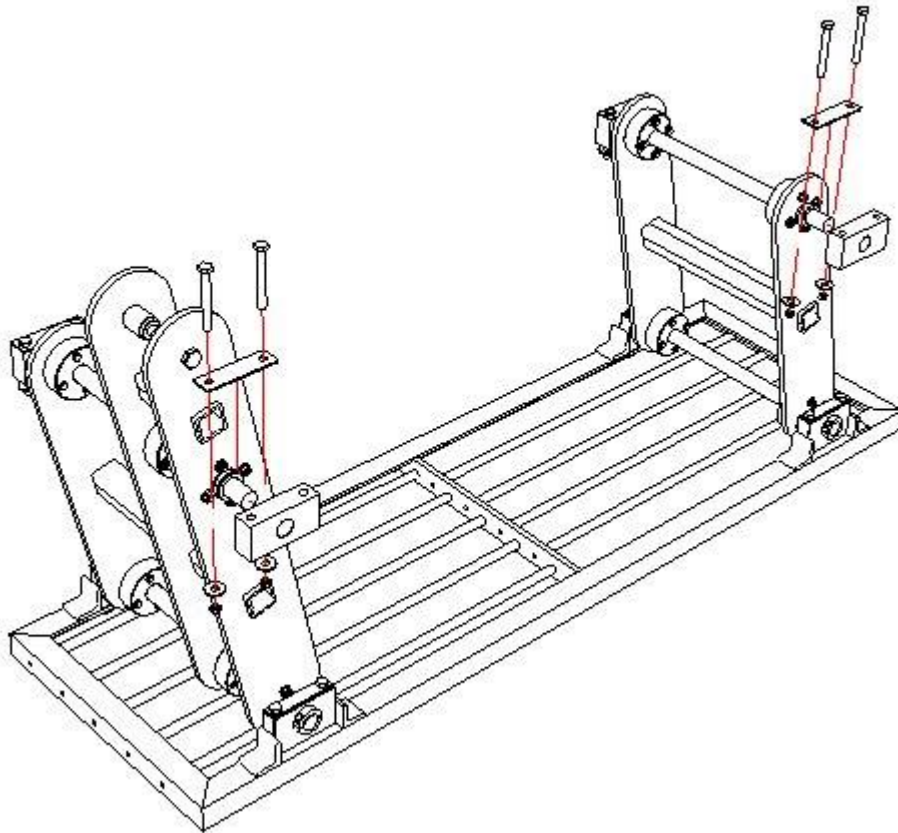
- Set aside all hardware, bearing block, and top bearing plates.



6. Lay down round baskets carefully and put aside.



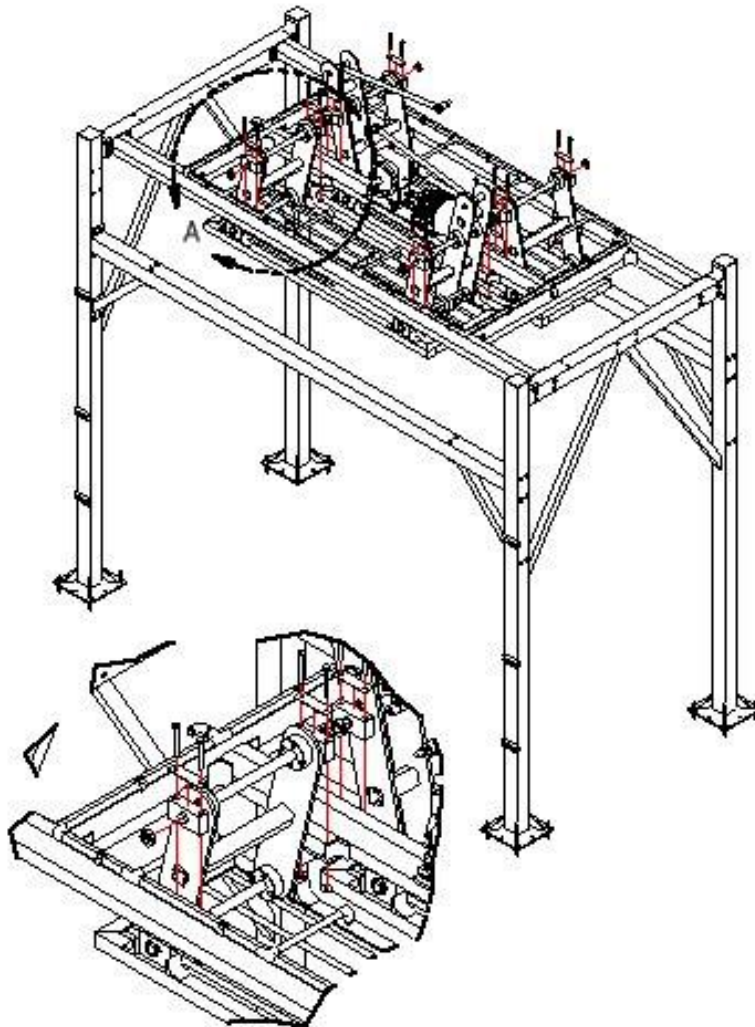
7. Replace bearing blocks and bearing top plates on all flat basket shafts. Then prepare all bearing blocks and hardware for location on the Mitter conversion. Diagram shown below.



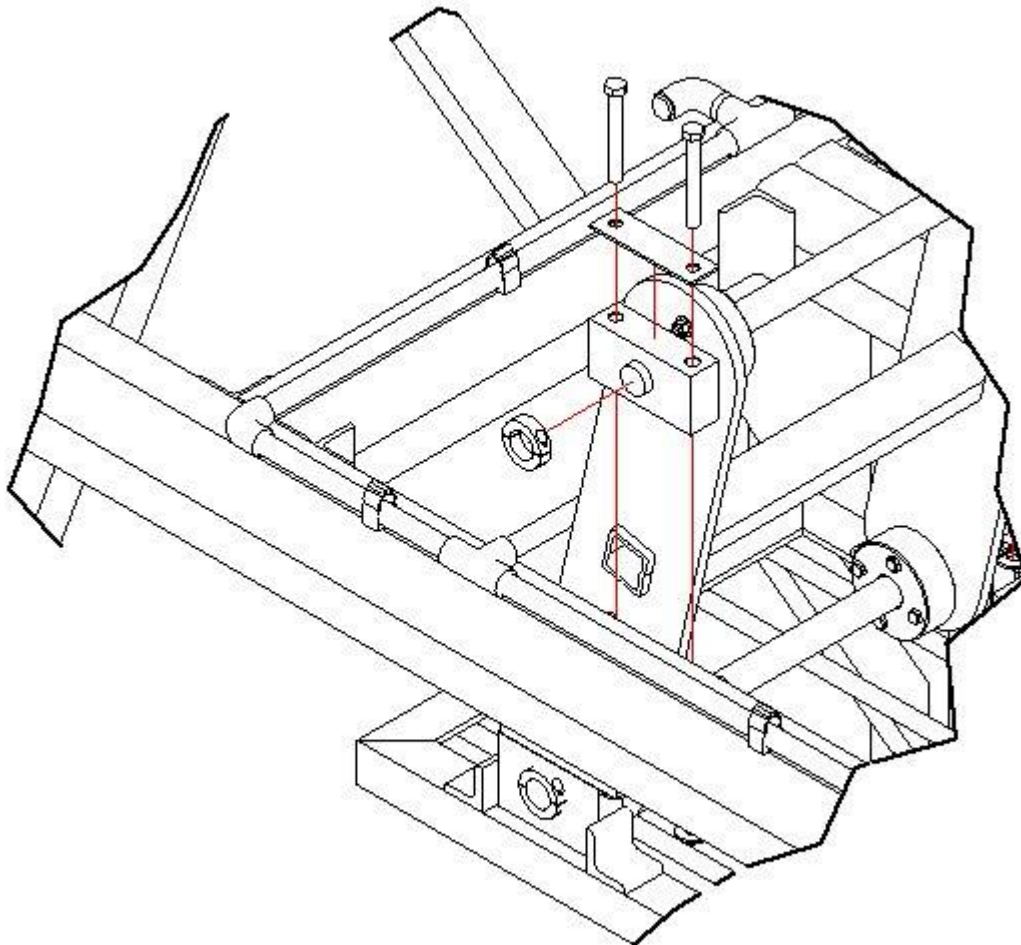
8. Once all bearing blocks have been placed on the flat baskets hoist the basket up. Station one person on the floor and a one person on a ladder positioning the basket to the location where the round baskets were removed.

CAUTION: Be aware of all the locations of your work force before hoisting the baskets up into their position.

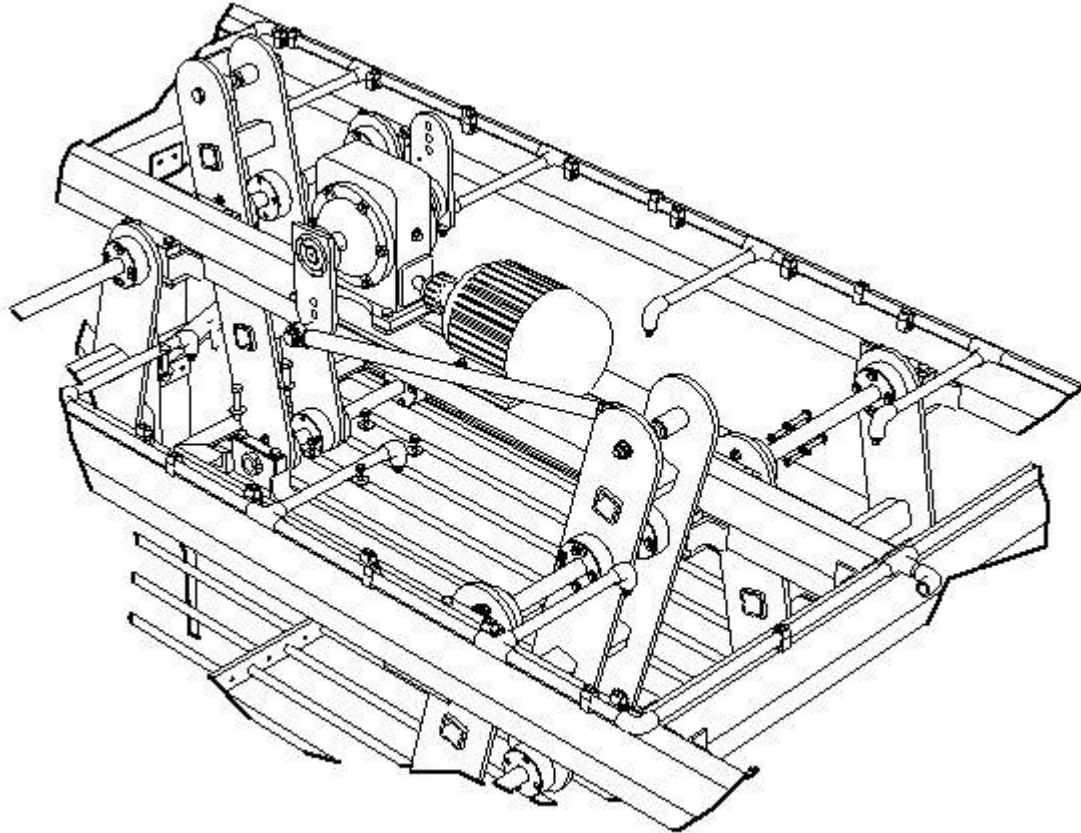
9. Secure all flat baskets with hardware using Never-Seize. **Check all hardware for tightness.** Diagram shown below.



10. Move bearing blocks into position on Mitter frame and secure all hardware with Never-Seize. Secure bearing blocks to the frame. Once the baskets have been secured to the bearing blocks, place the collars on the outside of the bearing block and secure the collar to the Mitter basket using Never-Seize. **Check all hardware for tightness.** Diagram shown below.

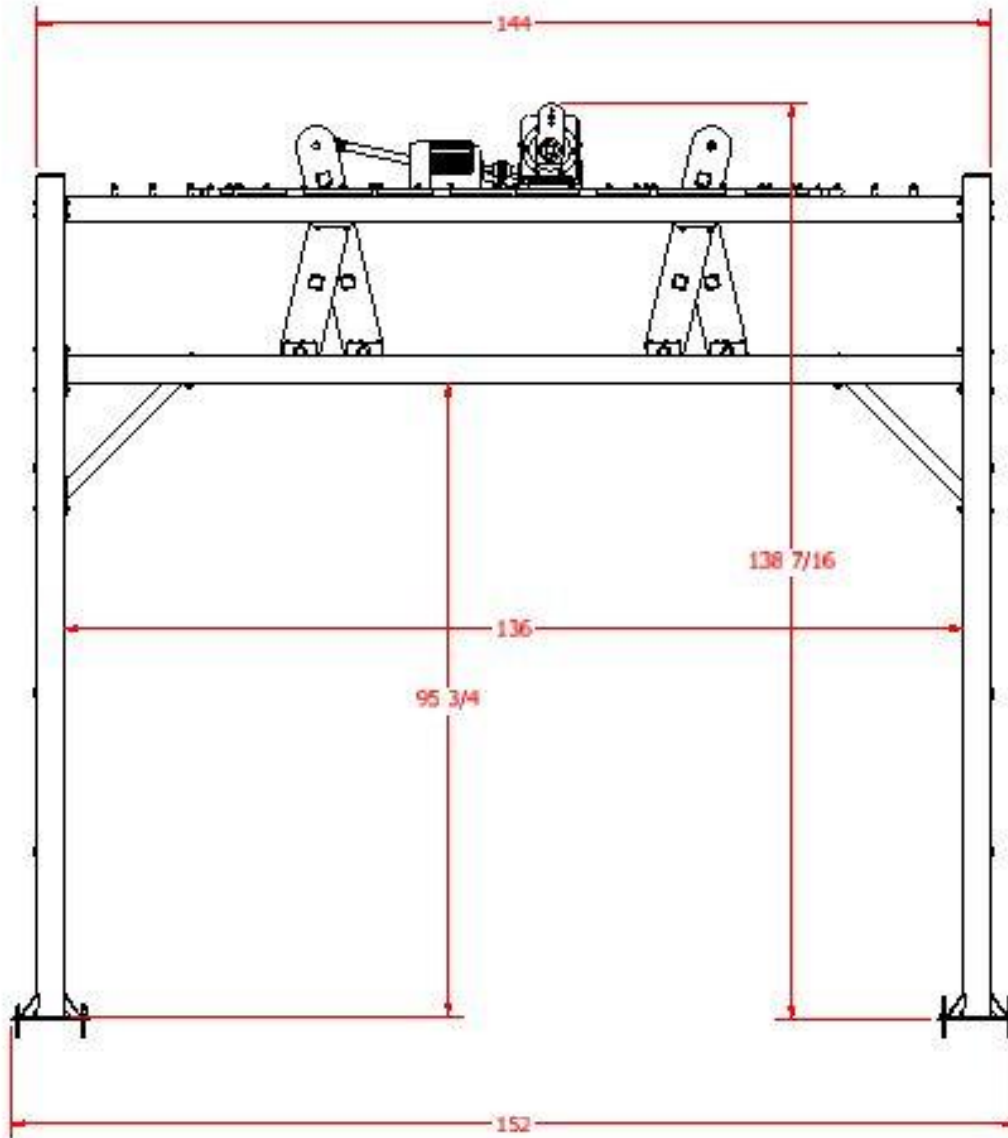


11. Using Never-Seize connect the connecting rods to the gearbox (Pitman Arms) this will secure the flat basket to the motor and gearbox. Diagram shown below.



12. Check all hardware for tightness on all connection points making sure work force has used Never-Seize on all connection points.

13. Check all alignment of bearing blocks and connections to the motor and gearbox. All positions should be level and secure. **Check tightness.** Diagram shown below.
14. Install the new cloth according to the diagrams provided.





Adjustments and Testing

BEFORE START-UP

1. Check flat baskets hardware connections for tightness.
2. Check that the flat baskets are in line with the centerline of the existing Mitter.
3. Check oil level in gear box.
4. Check all hardware for tightness after the first week of operation.



GENERAL OPERATION

Mitter Operation

The Mitter drive assembly (electric motor and speed reducer) that causes the vehicle cleaning curtains to move back and forth with vehicle travel is started and stopped by a remote Customer supplied Controller system. This drive actuation system should also control soap solution delivery to the Mitter spray bar.



PREVENTIVE MAINTENANCE

DAILY

1. Check all chemical lines and fittings for leaks. Repair, or replace, as needed.
2. Check for proper operation, listening for any unusual noises from the equipment.
3. Inspect Mitter cloth for cuts, grease, or oil. Remove and repair, or replace, any cloth panel if any of these conditions are found.
4. Check for proper chemical solution delivery.
5. Check for any oil leaks around the gear reducer, and repair if needed.

WEEKLY

1. Check the gear reducer oil level and fill as necessary.
2. Grease the rod end on both ends of the drive arms.

FOR THE FIRST MONTH OF OPERATION CHECK ALL HARDWARE AND FITTINGS FOR TIGHTNESS EACH WEEK. PERFORM THIS INSPECTION TO THE SCHEDULE SHOWN BELOW AFTER THE FIRST MONTH OF OPERATION.

MONTHLY

1. Inspecting all hardware and fittings for tightness.
2. Inspect all plastic bearings for wear. Invert worn bearings for short term operation. Order new bearings if center hole is "egg shaped".
3. Inspect soap solution spray nozzles for wear. Replace as necessary.
4. Thoroughly clean the equipment and framework.

ANNUALLY

1. Drain, flush clean, and refill oil in the speed reducer with:
 - a. SAE 90 gear oil for ambient temperatures of 15 degrees Fahrenheit through 50 degrees Fahrenheit.
 - b. SAE 140 gear oil for ambient temperatures of 50 degrees Fahrenheit through 120 degrees Fahrenheit.

DO NOT OVERFILL !! Remove the speed reducer case plug just above the output shafts and fill to that level.



WARRANTY

SONNY'S ENTERPRISES, INC. FACTORY LIMITED LIFETIME WARRANTY

Equipment manufactured by SONNY'S ENTERPRISES, INC. is warranted to be free from defect in material and workmanship. Welded metal framework and other non-moving, non-wearable fabricated metal components manufactured by SONNY'S are warranted for the life of the equipment to the original purchaser. Fabricated metal wearable surface and moving components manufactured by SONNY'S are warranted for a period of one (1) year to the original purchaser of the equipment.

All components assembled to SONNY'S equipment that are manufactured by others are warranted by the appropriate manufacturer and subject to that manufacturer's limited warranty. Contact SONNY'S for the specific information on other component manufacturer's warranty terms. All new cloth shipped with new SONNY'S equipment is warranted for a period of one (1) year or 80,000, whichever occurs first.

This warranty is not assignable or transferable. The warranty period begins the first day following installation or 30 days from the original invoice date, whichever occurs first. The Seller's liability shall be limited to repair or replacement of materials found to be defective within the warranty period. In the event of repair or replacement this limited warranty is noncumulative. The Purchaser must supply the Seller with immediate written notice when any defects are found. The Seller shall have the option of requiring the return of defective material to establish the Purchaser's claim. Neither labor nor transportation charges are included in this warranty. Transportation damage claims are to be submitted to the carrier of the damaged materials.

This warranty is based upon the Purchaser's reasonable care and maintenance of the warranted equipment. It does not apply to any equipment which has been subject to misuse, including neglect, accident or exposure to harsh chemicals or chemicals that react violently with: water, organic acids (e.g. acetic acid), inorganic acids (e.g. hydrofluoric acid), oxidizing agents (e.g. peroxides), and metals (e.g. aluminum). Chemicals corrosive to: aluminum alloys, carbon steel, and other metals. Nor does it apply to any equipment which has been repaired or altered by anyone not so authorized by SONNY'S. Further, the equipment must be properly installed with proper accuracy of all specified plumbing, electrical, and mechanical requirements. This warranty does not apply to normal wear and tear or routine maintenance components.

EXCEPT AS EXPRESSLY STATED HEREIN, SONNY'S SHALL NOT BE LIABLE FOR DAMAGES OF ANY KIND IN CONNECTION WITH THE PURCHASE, MAINTENANCE, OR USE OF THIS EQUIPMENT INCLUDING LOSS OF PROFITS AND ALL CLAIMS FOR CONSEQUENTIAL DAMAGES. THE LIMITED WARRANTY EXPRESSED HEREIN IS IN LIEU OF ALL OTHER WARRANTIES EXPRESSED OR IMPLIED. SONNY'S NEITHER ASSUMES NOR AUTHORIZES ANY PERSON TO ASSUME FOR IT ANY OTHER OBLIGATION OR LIABILITY IN CONNECTION HEREWITH.



Equipment Program - Manuals Mitter Conversion: 804 / 805 / 807

CUSTOMER SERVICE

Please contact SONNY'S Equipment Department for installation and/or operational questions regarding this piece of equipment.

Please refer to the Parts Catalog and contact SONNY'S Customer Service Order Entry Department for any replacement parts for this piece of equipment.

You can also visit the web at www.SonnysDirect.com.

DEPARTMENT	PHONE NUMBERS	FAX NUMBERS
Toll Free Main Line	800-327-8723	800-495-4049
Equipment Department	954-720-4100	954-720-9292

Or you can email Sales at sales@SonnysDirect.com

Thank you for being a SONNY'S car wash equipment owner!

From all of us here at

