

Belt Friendly™ Electric Pivoting Spinner



- Enhances performance of our traditional Spinner by rotating manifold against water pressure to amplify impingement – the performance boost required to clean wheels that do not rotate on a belt conveyor
- Recommended to install two units per side 42 inches apart in opposite rotation to ensure cleaning from all angles

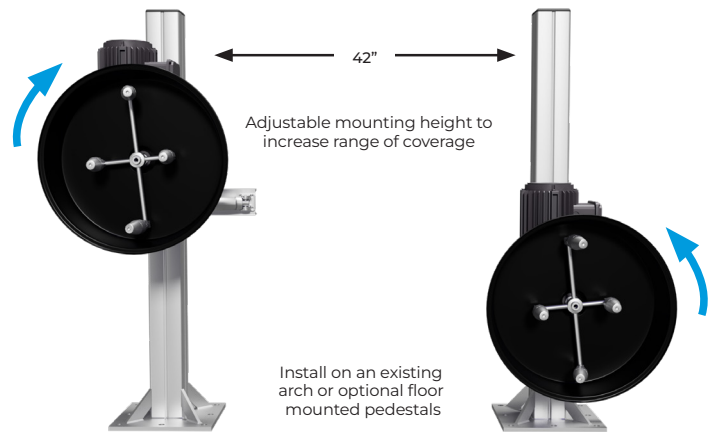
Description	Price*
Belt Friendly Pivoting Spinner. Driver & Passenger Sides 24° Nozzle	\$10,767.00
Belt Friendly Pivoting Spinner. Driver & Passenger Sides 30° Nozzle	\$10,879.00

*Specify 3.0GPM or 3.5GPM on your nozzles
Material ID: WHEEL_BLAST_NC

Item No.	Description	Price
20005287	Post For OMNI Side Attachment	\$474.08



Independent motors control rotational speed to maximize impingement



Pivoting Turbo Wheel Blasters

- The unit blasts the front bumper of the vehicle and then pivots to follow the front wheel, returns to its starting position to blast the rocker panel, and then pivots again to follow the rear wheel
- The unit remains in this position to blast the rear of the vehicle and then adjusts back to its starting position to ready itself for the next vehicle
- High-impact rotating nozzles eliminate the need for swivels
- Greaseless UHMW bearings require no regular maintenance



3-Nozzles

5-Nozzles

Description	Price*
3-Nozzle* Wheel Blaster Pivoting Turbo. Driver & Passenger Sides	\$3,007.00
5-Nozzle* Wheel Blaster Pivoting Turbo. Driver & Passenger Sides	\$3,751.00

*Specify 3.0GPM or 3.5GPM on your Turbo Nozzles
Material ID: TURBO_BLAST