

Python Brush™

OWNER'S MANUAL



View all Sonny's
Product Manuals &
Technical Bulletins





All trademarks, service marks, and logos registered to Sonny's Enterprises LLC are protected intellectual property. Products mentioned herein are for identification purposes only and may be registered trademarks of their respective companies. All other brand names, trademarks or registered trademarks are the property of their respective owners.

1. TABLE OF CONTENTS

1. TABLE OF CONTENTS	3
2. READ ALL INSTRUCTIONS PRIOR TO OPERATING	5
RECOMMENDED PPE	5
PRECAUTIONS	5
IMPORTANT SAFEGUARDS AND WARNINGS	6
SAFETY FIRST.....	8
HOW TO MAKE A SAFE WORKPLACE	9
TUNNEL INSTALL	9
3. PYTHON BRUSH FEATURES	10
CALLOUTS.....	11
4. EQUIPMENT SPECIFICATIONS	12
5. UTILITIES REQUIREMENTS	13
6. IMPORTANT INFORMATION	14
INSPECT YOUR SYSTEM	14
TRANSPORTING.....	14
STORAGE	14
7. INSTALLATION INSTRUCTIONS	15
SAFETY WEAR REQUIRED FOR INSTALLATION.....	15
TOOLS REQUIRED FOR INSTALLATION	15
QUICK START PYTHON BRUSH INSTALLATION MANUAL.....	15
OVER / UNDER CONVEYOR INSTALLATION DIMENSIONS.....	16
BELT CONVEYOR INSTALLATION DIMENSIONS.....	16
BRUSH DIMENSIONS	17
CYLINDER INSTALLATION.....	18
BEFORE STARTING.....	19
PYTHON INSTALLATION.....	20
8. ADJUSTMENTS AND TESTING	27
OPTIMAL LOCATION FOR BRUSH CONTACT.....	27
ADJUST THE CLEANING PRESSURE OF THE WASHER	27
IF USING DIAMOND SHINE PRODUCTS, SONNY'S RECOMMENDS	27

1. TABLE OF CONTENTS

9. GENERAL OPERATION	28
PYTHON BRUSH OPERATION	28
10. MAINTENANCE	29
DAILY.....	29
WEEKLY.....	29
MONTHLY.....	29
SEMI-ANNUALLY.....	29
11. WEAR ITEMS AND REPLACEMENT PARTS	30
12. CONTACT US	39
TECHNICAL SUPPORT.....	39
REPLACEMENT PARTS.....	39
SCHEDULE ON-SITE SERVICE AND SUPPORT.....	39
EMERGENCY CELL PHONE CONTACTS.....	39



For Warranty Go To: <https://sonnysdirect.com/warranty>

THANK YOU FOR BEING A SONNY'S CAR WASH EQUIPMENT OWNER!

2. READ ALL INSTRUCTIONS PRIOR TO OPERATING

This manual is a comprehensive step-by-step user instruction guide for the Python Brush and components. To review other manuals, go online to SonnyDirect.com under Support Tab.

- Make sure to read, understand and follow all these instructions.
- To address any questions relating to ordering parts, operating the Python Brush, installation, troubleshooting, maintenance, service, or anything else, contact Sonny's Technical Support Team.
- All deviations and alterations from these instructions MUST be reported to Sonny's The CarWash Factory[®]. Keep this manual in a location where it may be used for ongoing reference.

RECOMMENDED PPE



Eye Protection



Hearing Protection



Gloves



* Shoes



*** SHOES:** Toe Protection steel or composite, Impact & Top of Foot Metatarsal Bones Protection up to 75 foot-pounds, Compression Protection up to 2,500 lbs., Electric Shock Resistance up to 600 volts, Antistatic, Puncture Resistant up to 270 lbs., Dielectric Insulation, Slip Resistant Footwear, Conductive Properties to Protect Against Ignition and Volatile Chemicals.

PRECAUTIONS



Stop and read carefully before proceeding, these contain important information to Avoid injuries or incorrect equipment installation.

2. READ ALL INSTRUCTIONS PRIOR TO OPERATING

IMPORTANT SAFEGUARDS AND WARNINGS

- **WARNING: Do not perform any maintenance or work on equipment unless you first perform Lock-Out Tag-Out Safety Precautions. All electrically powered equipment MUST have manually operated disconnects capable of being locked in the “OFF” position. Equipment that has been “locked out” for any reason must be restarted ONLY by the person who performed the “lock out” operation. These procedures MUST be followed to avoid personal injury, death and/or dismemberment.**
- All parts and components MUST be installed by experienced and trained technicians.
- No unauthorized personnel should ever be permitted in the wash tunnel or near the equipment at any time.
- Hardhat, safety glasses with side shields, closed steel toe shoes, anti-impact and cut resistant gloves, dust mask, and earplugs if operating power tools, MUST be worn.
- When cutting or grinding any metal, safety glasses, earplugs, and dust mask MUST be worn.
- Do NOT leave a ladder or any other items such as wash down hoses or tools in the wash tunnel while equipment is running. Vehicle damage and injury, including death, can occur.
- Do NOT wear loose fitting clothing or jewelry around moving equipment. Do not allow any part of your body or other objects (including ladders, hoses, or tools) to come in contact with moving equipment. Entanglement may result causing injury, death, or dismemberment.
- Always exercise caution when walking (never run) through the wash tunnel as there may be slippery conditions. Be careful so you do not bump into or trip over equipment.
- Electrical connections and repairs MUST ONLY be performed by a Licensed Electrician.
- Plumbing connections and repairs MUST ONLY be performed by a Licensed Plumber.
- When working on any equipment that is higher than your shoulders, always use a fiberglass ladder that is in good condition.
- Use proper lifting technique. Team lifts are required for items over 50 lbs.
- Do NOT alter or modify parts in any way and do NOT interchange or substitute any components without the authorization of your supervisor and Sonny's The CarWash Factory.
- Do NOT install any parts or components into faulty materials.
- All damages and defects MUST be reported to both your supervisor and Sonny's The CarWash Factory.

2. READ ALL INSTRUCTIONS PRIOR TO OPERATING

IMPORTANT SAFEGUARDS AND WARNINGS

- If there are any malfunctions with the **Python Brush**; or if any questions arise regarding the equipment operations, immediately contact your supervisor or Sonny's The CarWash Factory.
- Only use approved hardware, parts, and components with the **Python Brush** or any other equipment.
- Always protect your body parts against sharp corners and edges.
- Keep loose articles of clothing, long hair, and jewelry away from the removal, installation, or operation of all equipment.
- The personnel installing the **Python Brush** are responsible for making sure it works according to the instructions in this manual.
- Always remove ladders, tools, parts, etc., from the wash tunnel and backroom when finished.
- All personnel **MUST** be trained in the safe operation of all equipment, wash tunnel operations, backroom operations, safety regulations, emergency shutdown, Lock-Out Tag-Out and maintenance practices to avoid any accidents, and possible equipment failure.
- Only personnel specifically instructed and trained are permitted to enter the wash tunnel to perform inspections or maintenance. At least two qualified maintenance personnel **MUST** be present when performing equipment repairs or preventive maintenance.
- **IMPORTANT: Call Technical Support to adjust wash cycle when new equipment is installed.**
- **WARNING: All hydraulic and electrical systems in the wash tunnel equipped with a torque relief or overload should be checked and set to the minimum amount that will allow for proper functionality under normal washing conditions.**
- **WARNING: Possible wet floors and slippery conditions! To avoid an accident that might result in personal injury, death or dismemberment, all personnel MUST proceed with Caution.**
- **WARNING: Do NOT enter the wash tunnel when the equipment is operating. Personal injury, death and/or dismemberment may occur.**
- **WARNING: Make sure the proper Chemistry (Brush Lubrication) is being used in the Car Wash Tunnel to prevent vehicle and/or equipment damage.**
- **WARNING: If the Equipment Installation Dimensions at the time of installation are NOT measured correctly, it may result in equipment damage and/or failure. Dimensions MUST be verified if equipment is already installed. Contact Sonny's Technical Support Team at 1-800-327-8723 for any Installation questions.**

2. READ ALL INSTRUCTIONS PRIOR TO OPERATING

IMPORTANT SAFEGUARDS AND WARNINGS

- **WARNING:** All connections and repairs **MUST ONLY** be performed by Licensed Professionals. Perform all trade work in compliance with all applicable local and national codes.
- **WARNING:** Although building codes have been considered in developing all drawings, verification of site-specific conditions and compliance with federal, state, and local building codes is the exclusive responsibility of the customer and/or architect and engineer to verify compliance.
- **WARNING:** Do **NOT** attempt to repair or adjust any pressurized liquid or pneumatic part, hose, pipe, or fitting while that equipment is in operation.
- **WARNING:** Do **NOT** operate any equipment that requires safety covers with those covers removed or improperly installed. Do **NOT** operate any equipment if any component of that equipment is suspected to be defective or malfunctioning.
- **WARNING:** Store all cleaning, washing solutions and oils in a well-ventilated area. Clean up fluid spills immediately to prevent hazardous safety conditions. Be certain to follow all safety procedures on SDS Sheets for each chemical product used.
- **WARNING:** When a piece of equipment must be in operation during inspection or maintenance, one trained technician **MUST** stay at the power disconnect switch in the Backroom, while another trained technician performs the inspection or maintenance on the equipment in the Tunnel; and a 3rd trained technician communicates any emergency shutoff between the 1st and 2nd technician.
- **WARNING:** All Equipment **MUST** be given regular maintenance to prevent equipment damage and/or failure that will **VOID** the warranty.
- **WARNING:** Emergency “STOP” Buttons **MUST** be well marked, and their location and proper use reviewed with all personnel. Any activated “STOP” button must be reset only by the person who activated it. Clear the wash tunnel of any people, ladders, hoses, tools, and other loose items before restarting the equipment. An audible device **MUST** sound to warn people that the equipment is starting.

SAVE THESE INSTRUCTIONS

SAFETY FIRST

- **CAUTION:** Verify Safe Working Conditions
- Make sure to Have a Safety Kit Before Starting Equipment Installation, Service or Repairs
- Make Sure to Apply the Lock-Out Tag-Out to Any Equipment that Requires it
- Your Equipment Should Always be Installed by a Qualified Technician

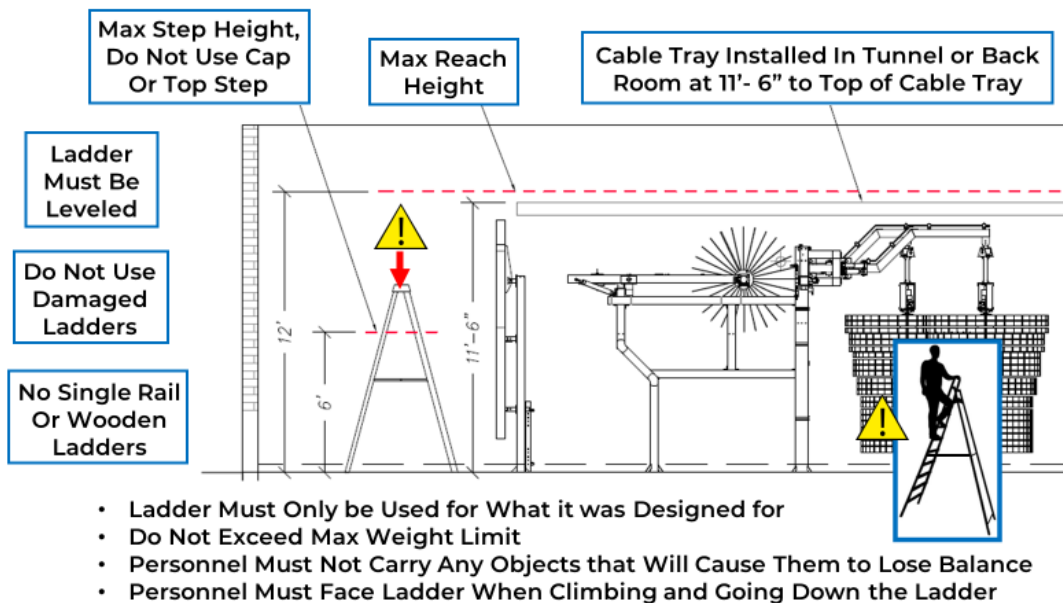
2. READ ALL INSTRUCTIONS PRIOR TO OPERATING

HOW TO MAKE A SAFE WORKPLACE

- 1 Wear Appropriate Attire
- 2 Wear Safety Equipment
- 3 Keep Aisles Clear
- 4 Keep Work Area Clean
- 5 Report Accidents
- 6 Report Any Unsafe Conditions
- 7 Place Trash In Proper Containers
- 8 No Smoking In Tunnel Or Backroom
- 9 Have a First Aid Kit For Emergencies
- 10 Have a Fire Extinguisher On Site
- 11 Lift Properly
- 12 Power Off For Install & Service



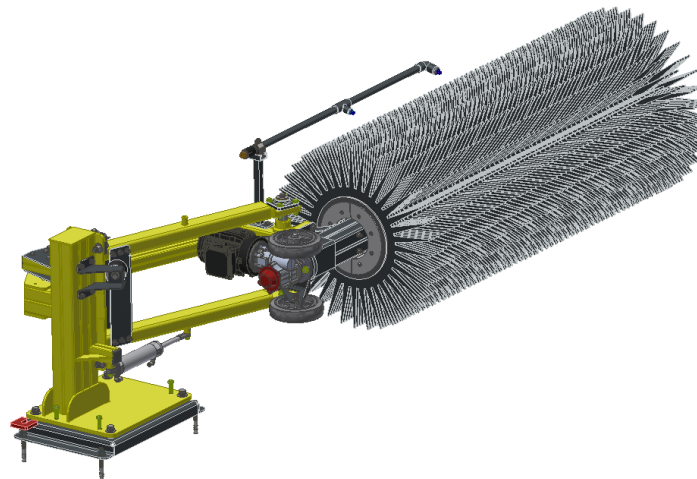
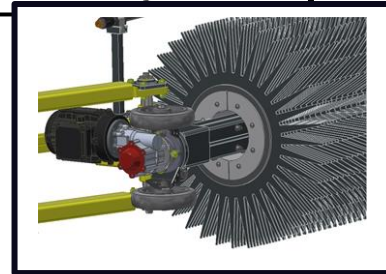
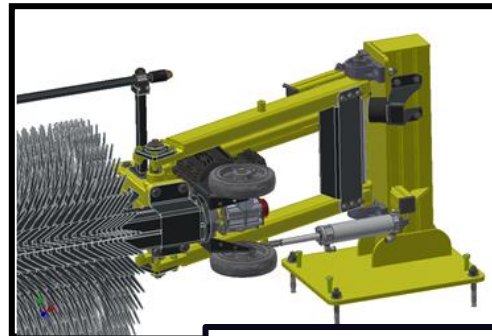
TUNNEL INSTALL



3. PYTHON BRUSH FEATURES

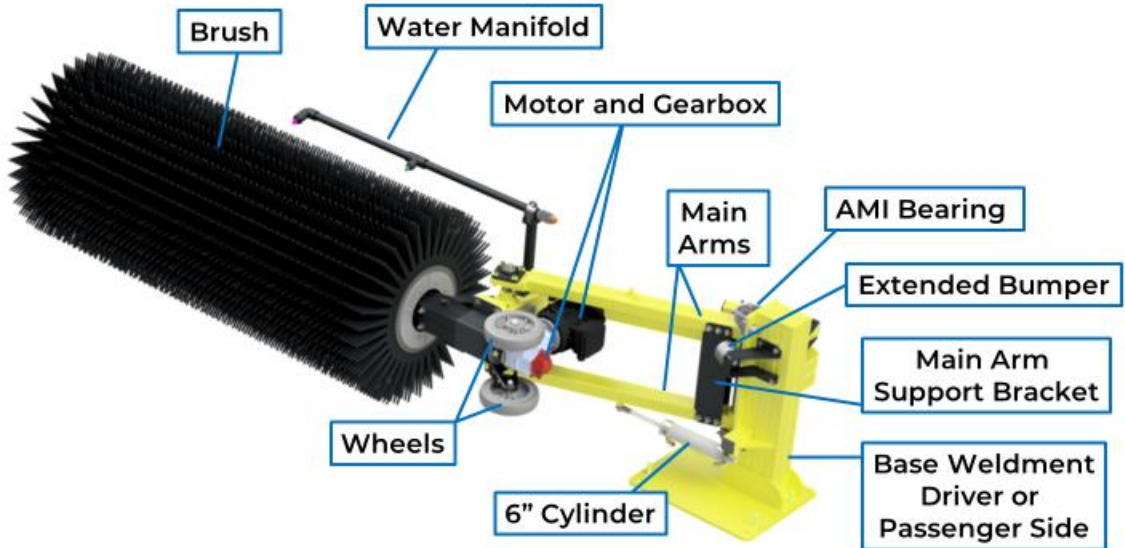
Sonny's Python is designed to fit nested in the 901 Mitter Frame or standalone. The simple mechanical operation delivers a fluid motion over all horizontal surfaces, for a more consistent wash across a wider range of vehicles, with minimal required maintenance and reliable performance. It comes standard with greaseless UHMW bearings to minimize grease points and it can be purchased in either electric or hydraulic drive to meet your requirements.

- 68" Cantilevered Brush
- Easy Installation Into New or Existing Tunnels
- Increases Wash Capacity in Less Space
- User-Friendly Mechanical Operation
- Simple Pneumatic Controls
- Removes Heavy Rocker Panel Dirt
- Delivers Deep Cleaning to Tires
- Washes Contoured Vehicle Sides
- Gentle NeoGlide® Foam Hush Brush for a Balanced Wash
- Provides Accurate Pressure and Material Penetration
- Consistent Wash Across a Wide Range of Vehicles
- Smooth Motion Along Vehicle's Surface
- Cleans Tires, Wheels, and Rocker Panels up to 30" High
- Works with Both Belt and Over-Under Conveyors

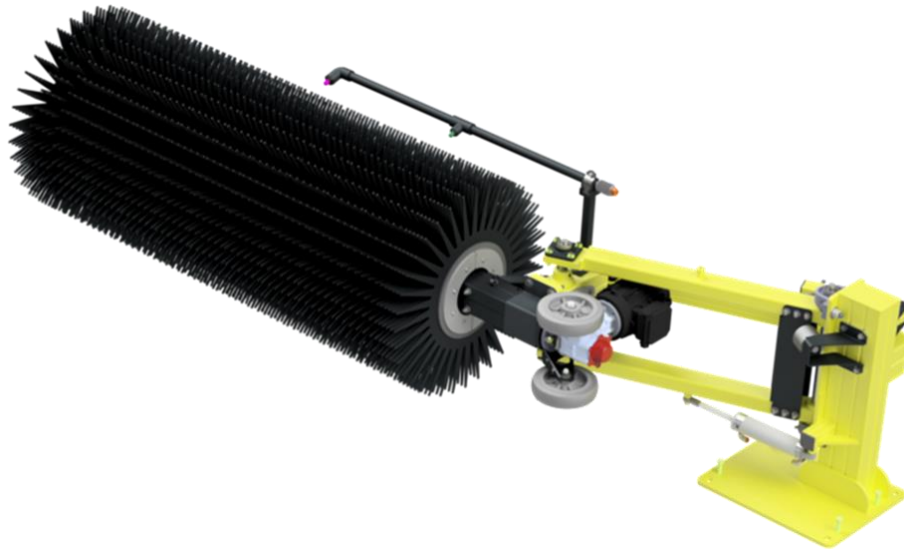


3. PYTHON BRUSH FEATURES

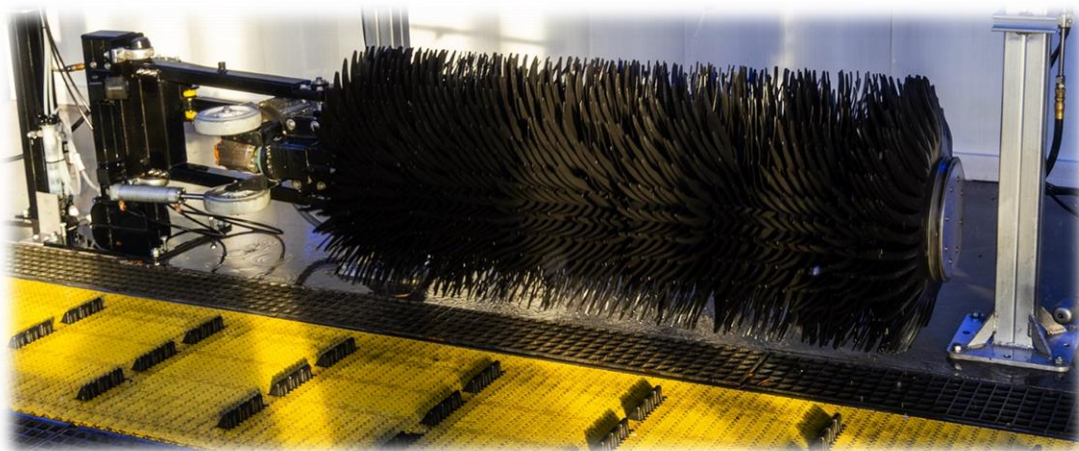
CALLOUTS



4. EQUIPMENT SPECIFICATIONS



Footprint Length	120"
Footprint Width	144"
Vehicle Track Width Clearance	76"
RPM	75 - 85
Drive Electric	1 HP Transtecno



5. UTILITIES REQUIREMENTS

Utilities interconnection and the materials required for interconnection to Sonny's equipment are the responsibility of the customer.



All connections and repairs **MUST ONLY** be performed by Licensed Professionals. Perform all trade work in compliance with all applicable local and national codes.

WATER - THE CUSTOMER'S PLUMBER IS RESPONSIBLE FOR:

- The Customer's Plumber is to provide and install a 1/2" water line @60PSI (nominal) to the solenoid valve on the chemical distribution system for the Washer.

FOAM APPLICATION

- Foam and soap must be applied on vehicle and brushes. For proper machine operation, it is important for there to be lubricity between brush and vehicle.

ELECTRIC - THE CUSTOMER'S ELECTRICIAN IS RESPONSIBLE FOR:

- The Customer's Electrician is to provide and install single phase power from the (24 or 110 VAC as determined at time of order) from the Customer's Controller system to the liquid solenoid valve for the brush spray bars. If required, the motor starter coil for the hydraulic power pack feeding the brush, and any pump motor for the chemical distribution system.
- If applicable, the Customer's Electrician is to provide materials and install 208VAC or 230VAC or 460VAC, 3-phase, 60Hz power to the electric motor on the hydraulic power pack; or VFD panel from a properly sized three pole circuit breaker, and motor starter with three thermal overloads.
- The Customer's Electrician is to provide and install single phase power from the remote push-button station, through the tunnel equipment programmer; to the supplied air solenoid valve, on the Air Distribution Manifold for retract of both washers upon selective signal.

COMPRESSED AIR - THE CUSTOMER'S PLUMBER IS RESPONSIBLE FOR:

- The Customer's Plumber is to provide and install a 1/2" compressed air line from the Air Compressor to the Air Distribution Manifold for the retract functions.

TECHNICAL DISCLAIMER

Although building codes have been considered in developing all drawings, verification of site-specific conditions and compliance with federal, state, and local building codes, it is the exclusive responsibility of the customer and/or architect and engineer to verify compliance.

6. IMPORTANT INFORMATION

INSPECT YOUR SYSTEM

Before transporting your Python Brush or removing it from the pallet, check for any damage that could have occurred during shipping. If damage is found, contact Sonny's Customer Service at 800-327-8723 or CustomerService@SonnysDirect.com.

TRANSPORTING

Secure Python Brush to restrict movement and avoid equipment damage before transporting.

STORAGE

In the event your system needs to be stored or out of service for more than 90 days, take the following steps:

1. Using a shop towel or rag, wipe exposed surfaces with a rust preventative.
2. Secure Python Brush to restrict movement and avoid equipment damage before putting it in storage.

Outdoor storage not recommended.



7. INSTALLATION INSTRUCTIONS

SAFETY WEAR REQUIRED FOR INSTALLATION

 **WARNING:** Make sure to follow Local and State Safety Wear Required Regulations to ensure the safety of all personnel. Failure to follow Safety Regulations may result in personal injury, death and/or dismemberment.

TOOLS REQUIRED FOR INSTALLATION

TOOLS	TOOLS
Safety Glasses	Tape Measure
Gloves	Hammer Drill with 5/8" Carbide Bit
Impact Gun	Rubber Mallet
15/16", 9/16", and 3/4" Sockets	9/16" Wrench
5/32" Allen Wrench	Anti-Seize Compound Never-Seez®

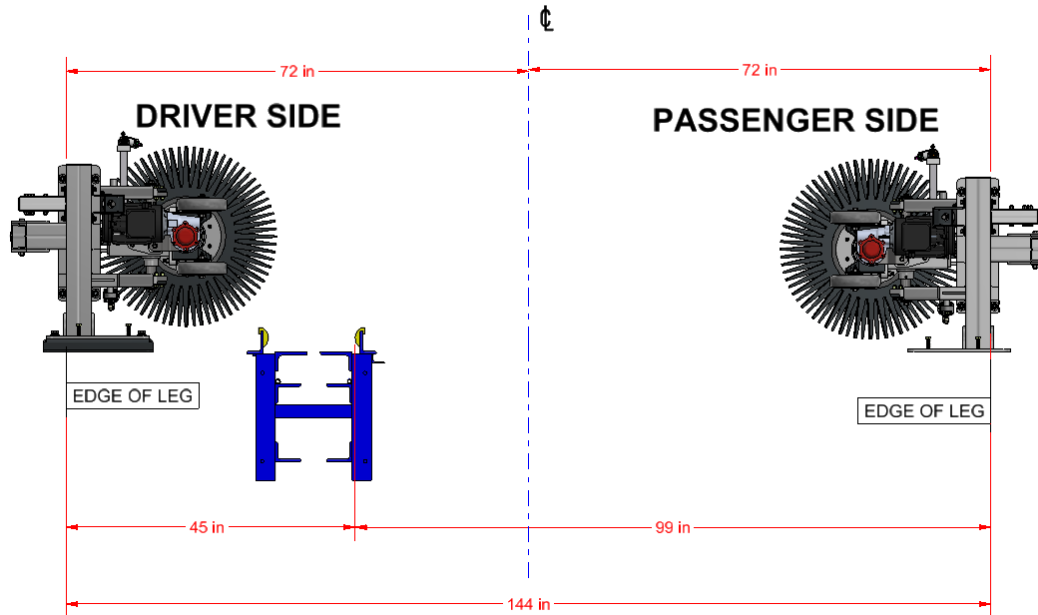
QUICK START PYTHON BRUSH INSTALLATION MANUAL

Go online to SonnysDirect.com under Support Tab.

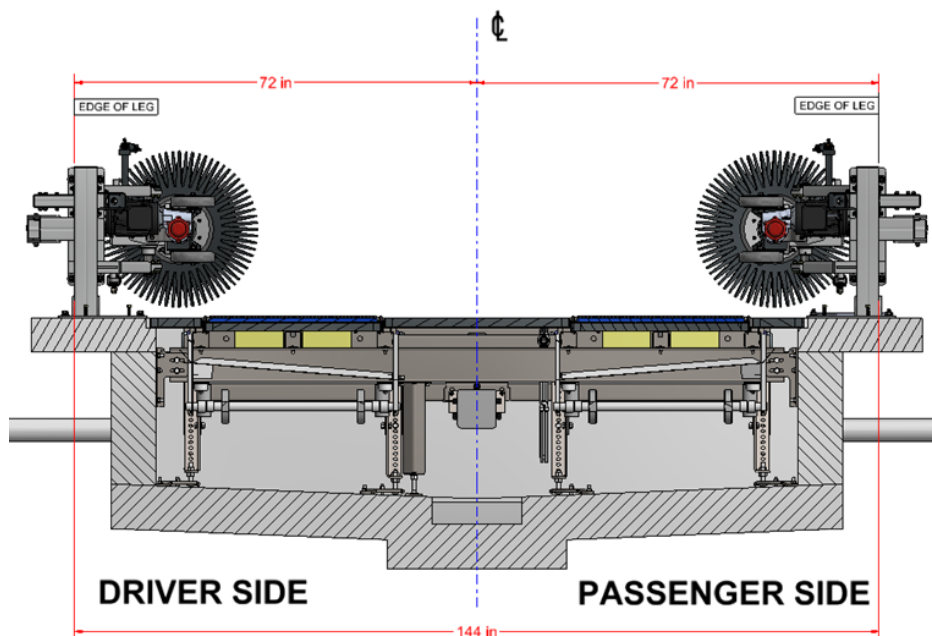


7. INSTALLATION INSTRUCTIONS

OVER / UNDER CONVEYOR INSTALLATION DIMENSIONS



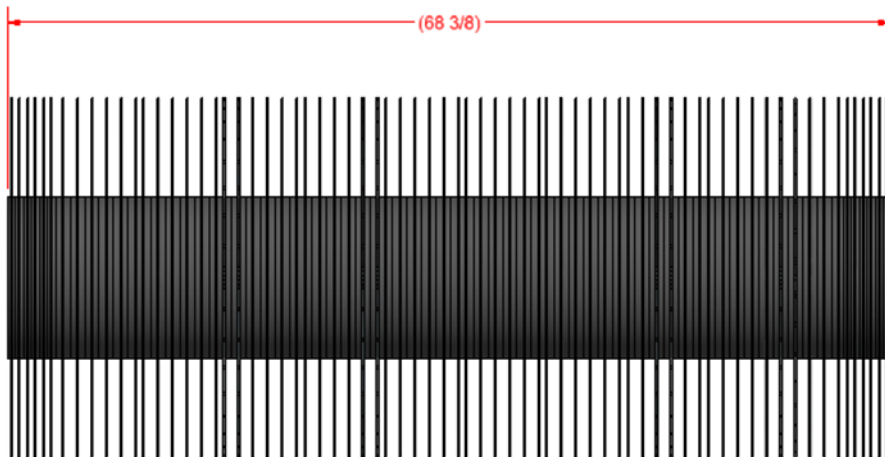
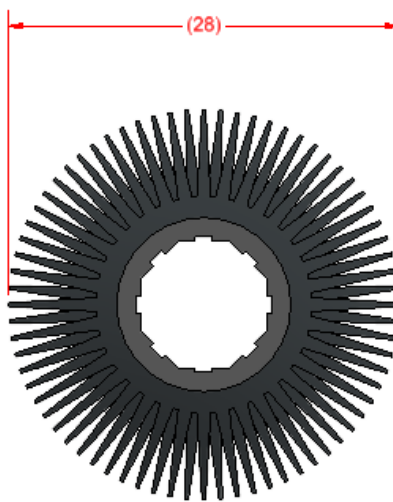
BELT CONVEYOR INSTALLATION DIMENSIONS



7. INSTALLATION INSTRUCTIONS

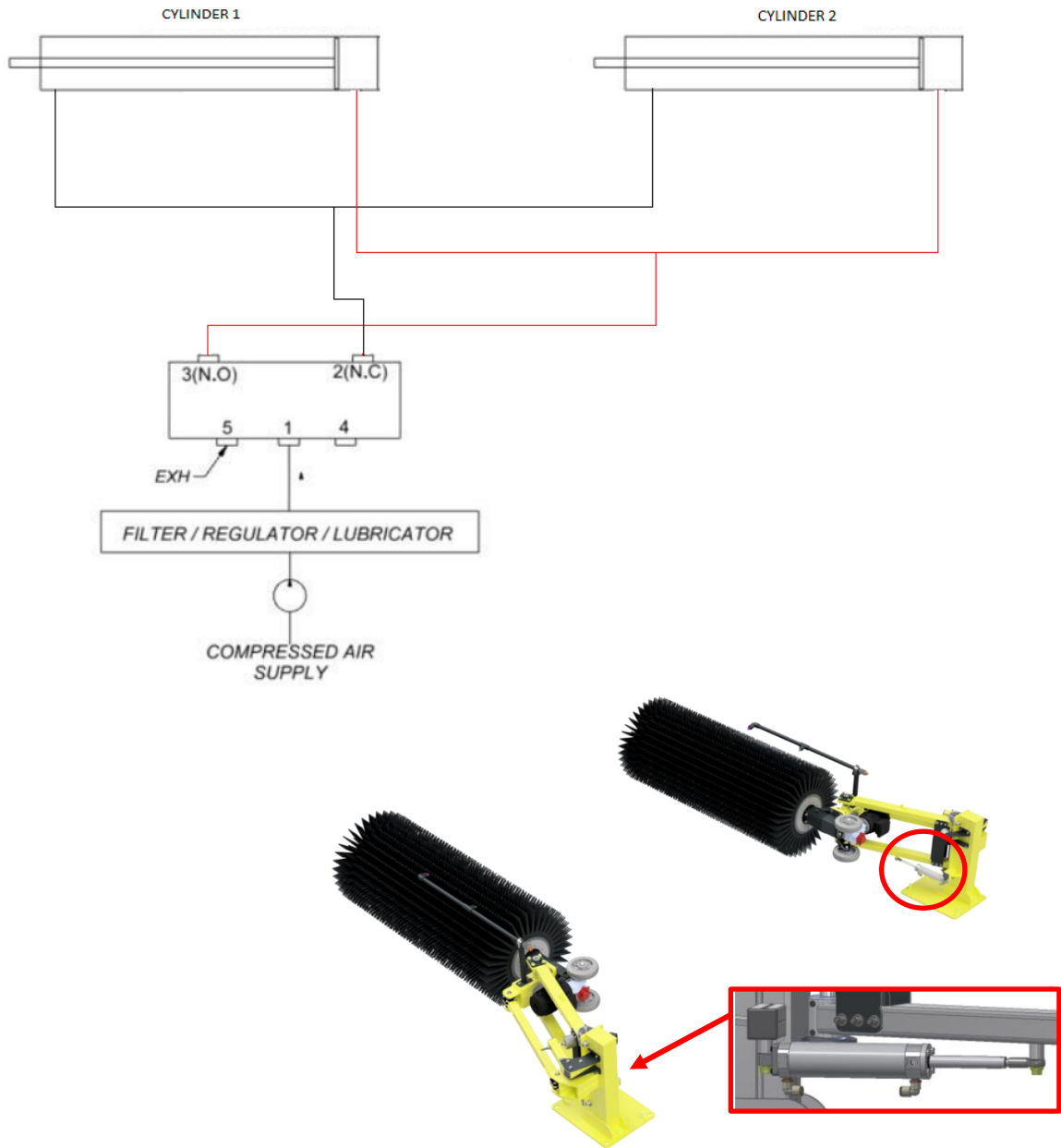
BRUSH DIMENSIONS

Diameter	28"
Length	68" (Nominal)



7. INSTALLATION INSTRUCTIONS

CYLINDER INSTALLATION



7. INSTALLATION INSTRUCTIONS

BEFORE STARTING



IMPORTANT: All parts and components **MUST** be installed by experienced and trained technicians. Safety wear is required for ALL personnel.

WORK FORCE	INSTALLATION TIME
2 to 3 Experience and Trained Technicians	1 to 2 Hours Without Setbacks



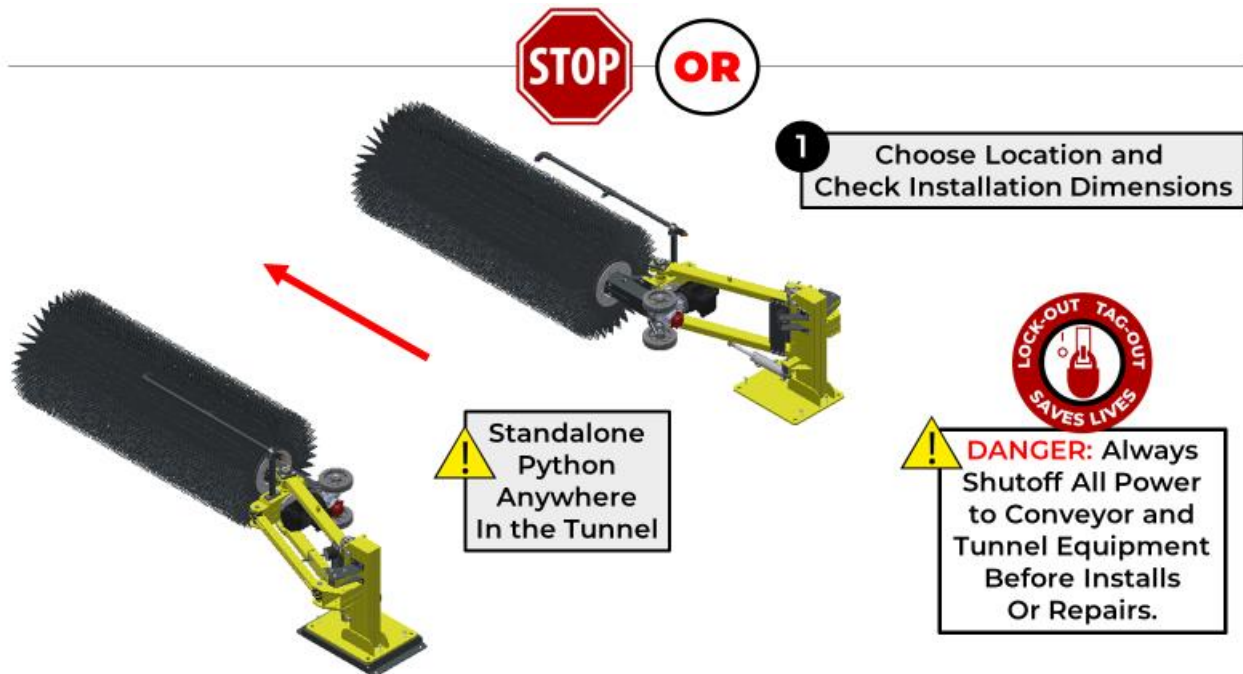
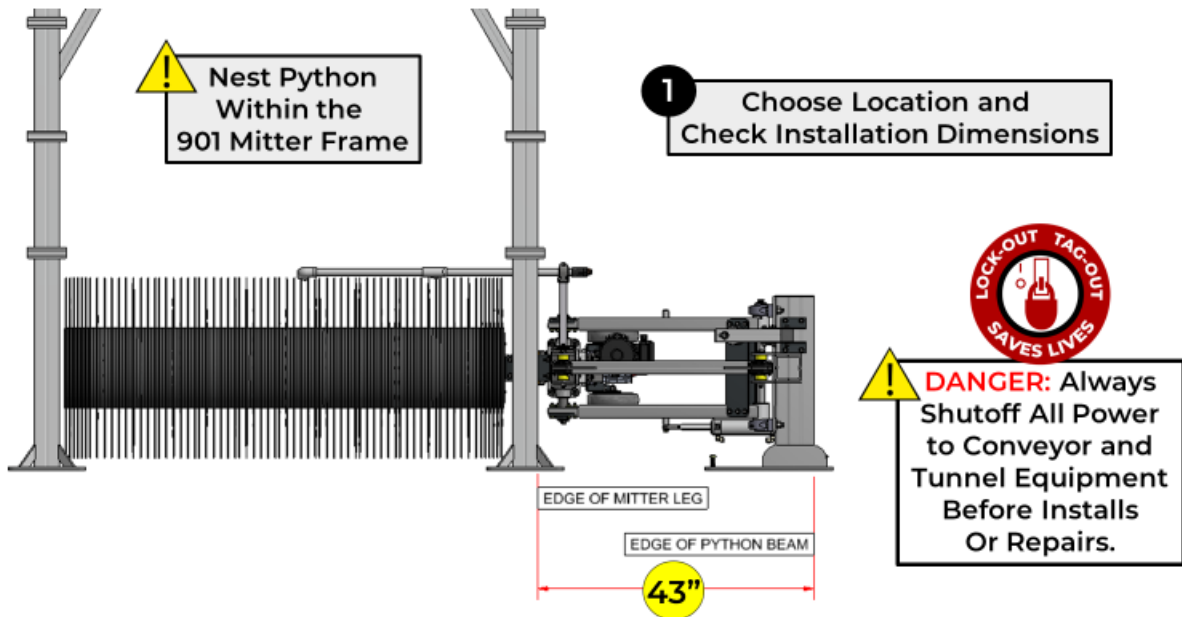
IMPORTANT: If the Equipment Installation Dimensions at the time of installation are **NOT** measured correctly, it may result in equipment damage and/or failure.



DANGER: Always Shutoff All Power to Conveyor and/or Equipment Before Starting Any Install, Maintenance, Service or Repairs. Failure to do this may result in personal injury, death, or dismemberment.

7. INSTALLATION INSTRUCTIONS

PYTHON INSTALLATION



7. INSTALLATION INSTRUCTIONS

PYTHON INSTALLATION

OVER / UNDER CHAIN CONVEYOR

STOP DO NOT Cut Guide Rail

3 Install 4 Bolts, Split Lock Washers, & Flat Washers, to Secure Python to Riser, **DO NOT Tighten Bolts**

Apply Anti-Seize to All Bolts

Bolt 5/8"-11x2"

2 Install Riser ONLY on Driver Side and Tighten 4 Concrete Anchors

- 5/8" Nut
- 5/8" Flat Washer
- 5/8"-11x5"

45"



BELT CONVEYOR

STOP DO NOT Tighten Anchors

3

1st

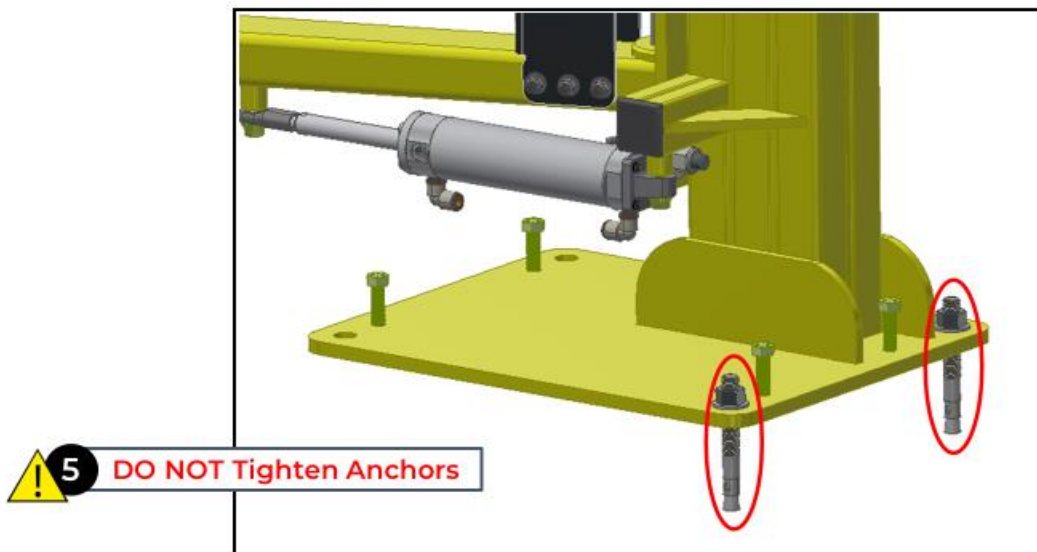
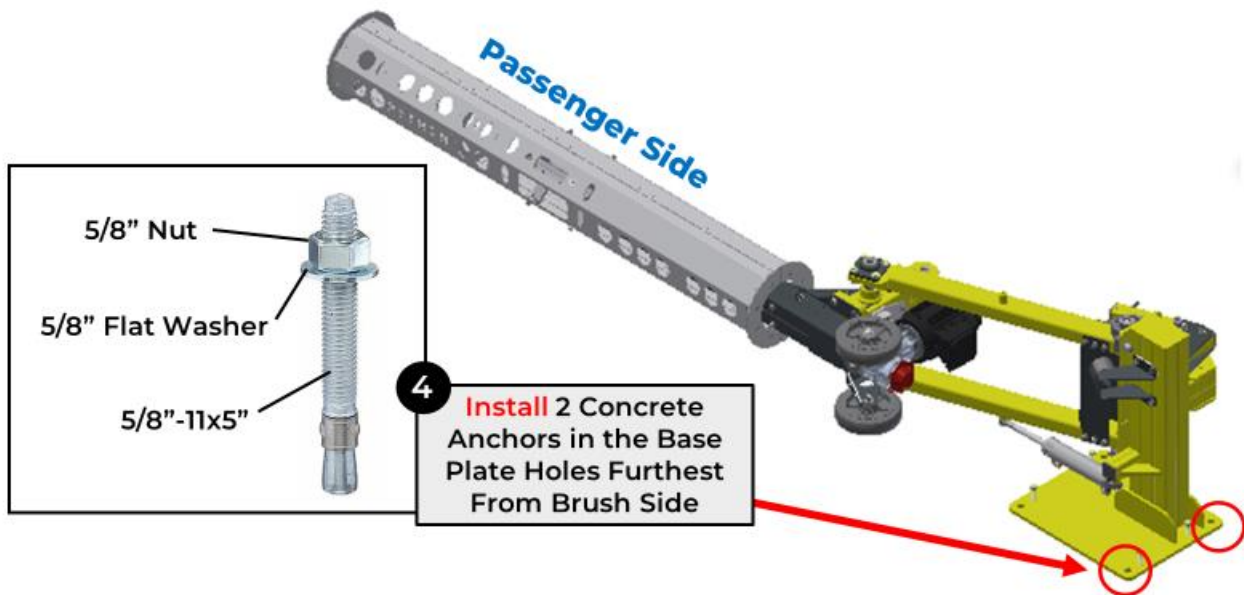
2 Install 2 Concrete Anchors in the Base Plate Holes Furthest From Brush Side

- 5/8" Nut
- 5/8" Flat Washer
- 5/8"-11x5"

7. INSTALLATION INSTRUCTIONS

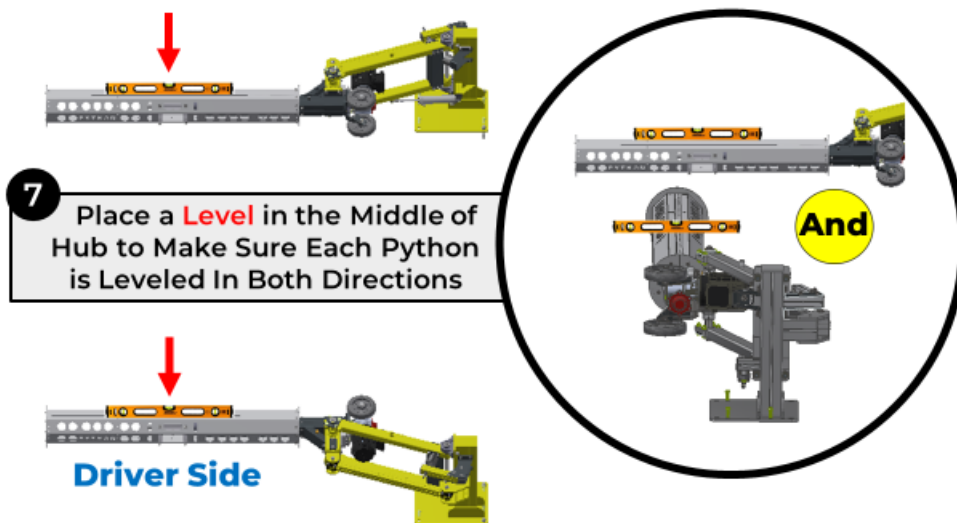
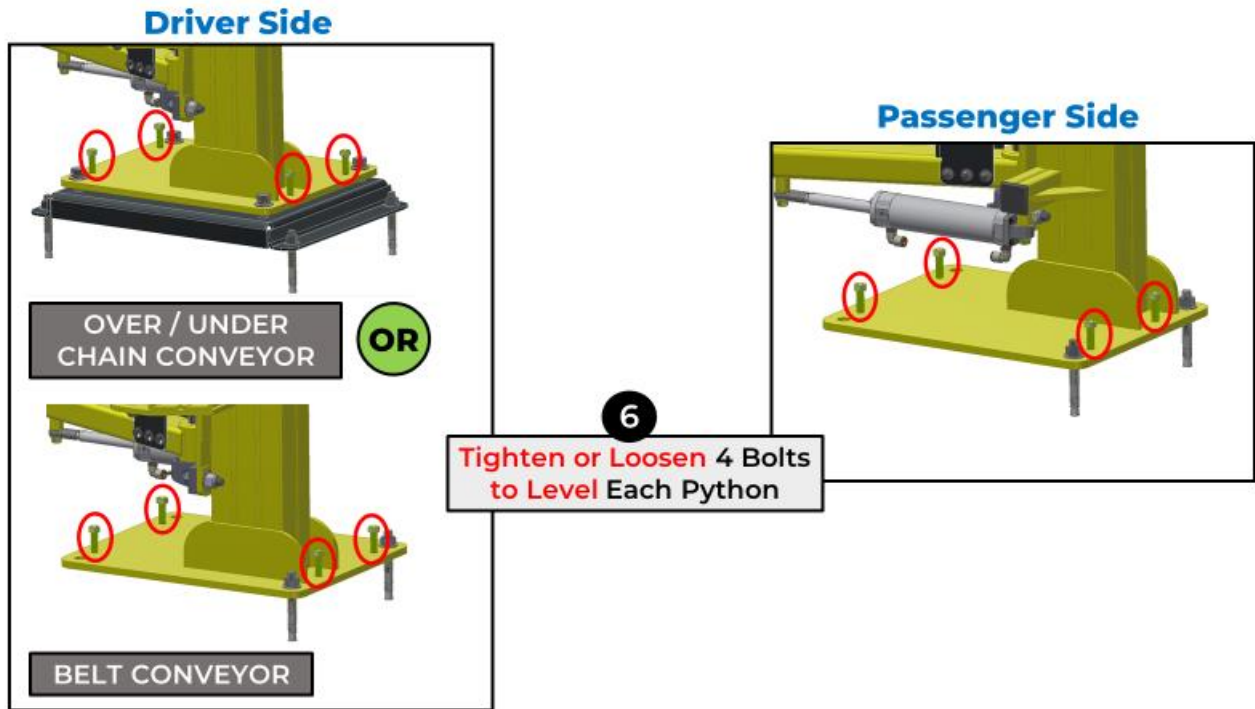
PYTHON INSTALLATION

OVER / UNDER CHAIN CONVEYOR AND BELT CONVEYOR



7. INSTALLATION INSTRUCTIONS

PYTHON INSTALLATION



7. INSTALLATION INSTRUCTIONS

PYTHON INSTALLATION

OVER / UNDER CHAIN CONVEYOR

Driver Side **Passenger Side**

8 **Install** 2 Concrete Anchors on Passenger Side, **Install** Shims if needed on All 8 Corners Around Bolts / Anchors & **Tighten All** Bolts / Anchors



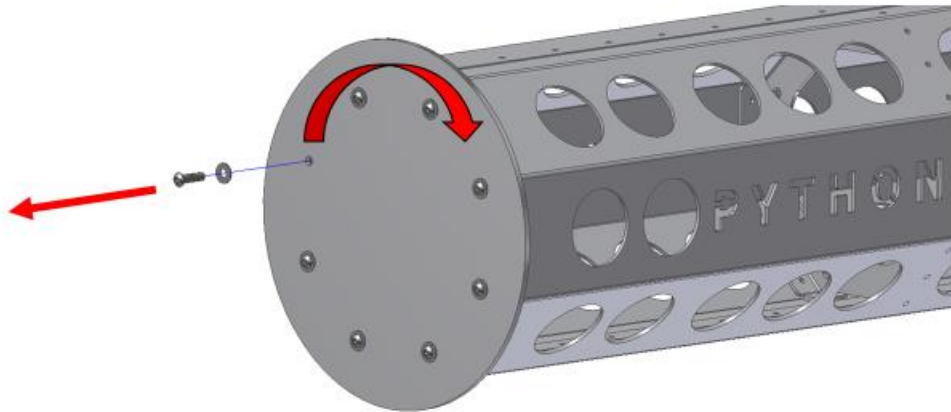
BELT CONVEYOR

Driver Side **Passenger Side**

8 **Install** 2 Concrete Anchors on Each Side, **Install** Shims if needed on All 8 Corners Around Anchor Threads and **Tighten All** Anchors

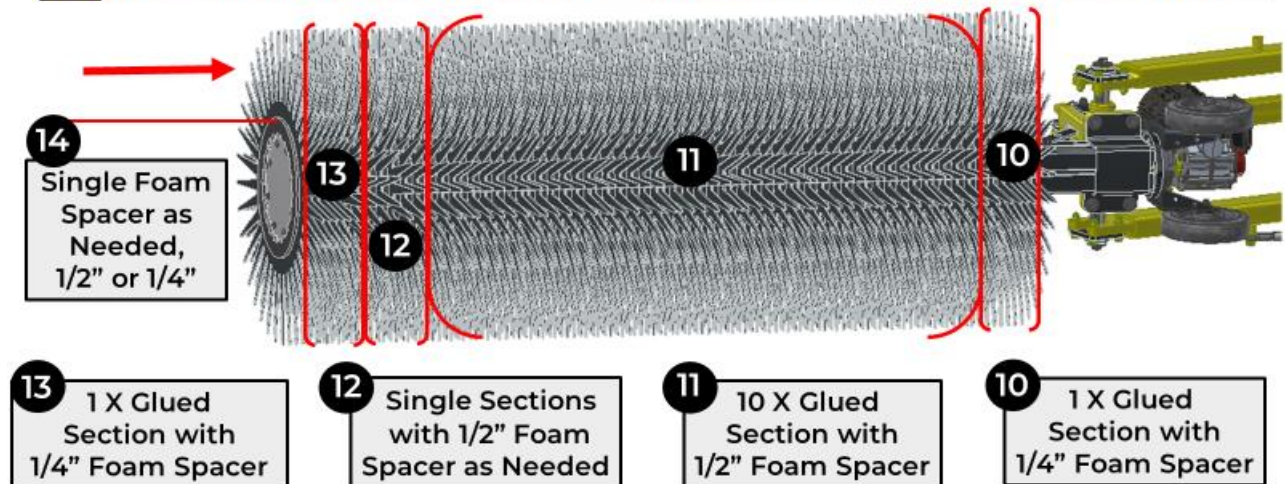
7. INSTALLATION INSTRUCTIONS

PYTHON INSTALLATION



9 Remove ALL 1/4" Button Head Screws, Flat Washers with 5/32" Allen Wrench and End Plates for Each Python

! Rotation Direction Stamped On Foam, MUST Rotate Downward on Vehicle



14 Single Foam Spacer as Needed, 1/2" or 1/4"

13 1 X Glued Section with 1/4" Foam Spacer

12 Single Sections with 1/2" Foam Spacer as Needed

11 10 X Glued Section with 1/2" Foam Spacer

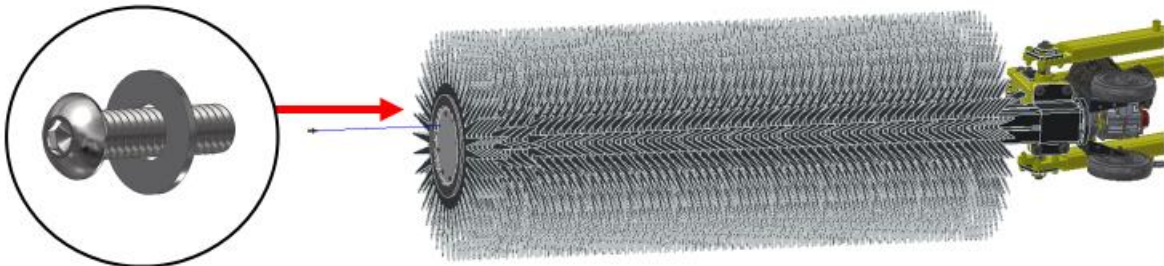
10 1 X Glued Section with 1/4" Foam Spacer

7. INSTALLATION INSTRUCTIONS

PYTHON INSTALLATION

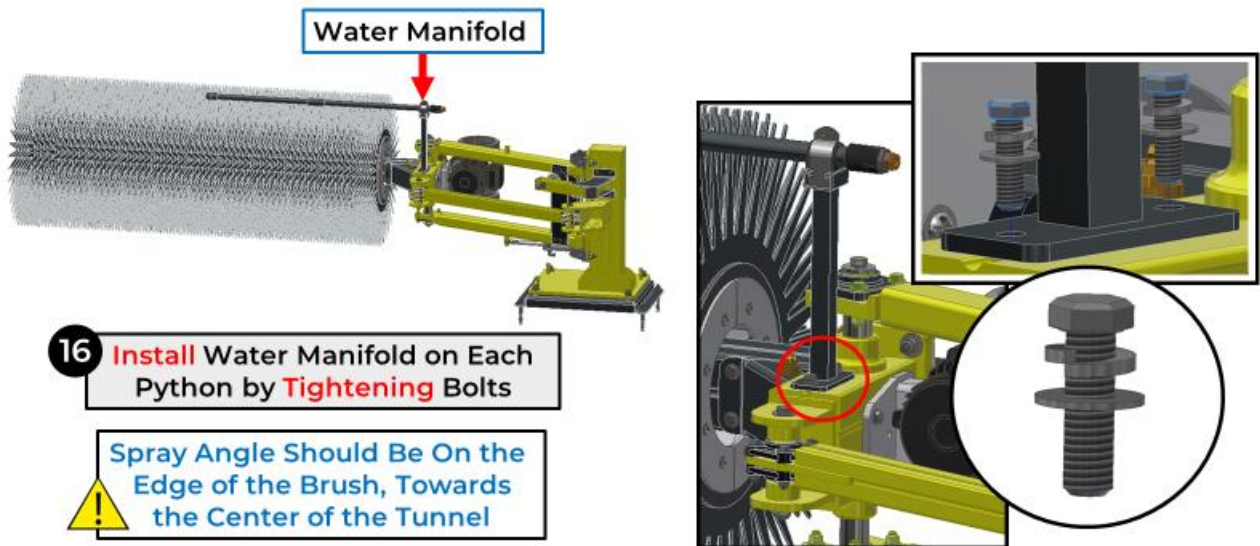


Foam Spacer Should Stick out 1/4" to 3/8" Past the End of Hub and Will Compress When End Plate Is Installed



15

Install End Plates and **Tighten** ALL 1/4" Button Head Screws, Flat Washers with 5/32" Allen Wrench for Each Python



16

Install Water Manifold on Each Python by **Tightening** Bolts

Spray Angle Should Be On the Edge of the Brush, Towards the Center of the Tunnel



8. ADJUSTMENTS AND TESTING

OPTIMAL LOCATION FOR BRUSH CONTACT

- The tunnel controller **MUST** be adjusted so each Python™ is put into the wash position when the brush comes in contact with the vehicle's front wheel and retracts when the vehicle's rear wheel has cleared the brush.

ADJUST THE CLEANING PRESSURE OF THE WASHER

- Air pressure should be used both in the washing and retract positions. Brush penetration should be around 4 inches across the entirety of the vehicle.



WARNING: If Python is leveled, the air pressure should be approximately 20-25 PSI.



WARNING: Make sure proper Chemistry (Brush Lubrication) is being used in the Car Wash Tunnel to prevent vehicle and equipment damage.

IF USING DIAMOND SHINE® PRODUCTS, SONNY'S RECOMMENDS

These measurements imply a dilution ratio of about 500:1

- 4 mL's of Hi Suds
- 3-4 mL's of AF2010 or FA300
- 3-4 mL's of Express Foam LP or Lo Phoam



9. GENERAL OPERATION

PYTHON BRUSH OPERATION

- Python Brush rotation starts and stops with a signal from the Customer's Supplied Controller System to the Customer's Hydraulic Power Pack or VFD, activating Python Brush rotation. This Controller Start-Stop signal should also control soap solution delivery to the manifold providing lubricity to the Python Brush.



WARNING: Call Controls' Technical Support to adjust wash cycle when new equipment is installed.

- With each Python rotating (Downward and at 75 - 85 RPM) the Python Brush travels along the vehicle's side maintaining steady contact; as it cleans the tires, rims, and lower rocker panels of the vehicle.



WARNING: Each Python MUST Rotate Downward, along the side of the vehicle.



WARNING: Proper Python Brush penetration should be around 4". As the Python brush rounds corners or encounters open wheel wells, the penetration may be greater, but not deeper than half the distance to the aluminum brush core.



10. MAINTENANCE

IMPORTANT: For the first month of operation check all hardware and fittings for tightness each week!



WARNING: Make sure the proper Chemistry (Brush Lubrication) is being used in the Car Wash Tunnel to prevent vehicle and equipment damage.

DAILY

1. Check all hydraulic, air and chemical lines and fittings for leaks. Repair, or replace as needed.
2. Check Python for proper operation, listening for any unusual noises from the equipment.
3. Inspect Python Brush Cloth for cuts, grease, or oil. Remove and repair, or replace, any cloth panel if any of these conditions are found.
4. Check retract and extend for proper operation, smoothness, and correct application pressure.
5. Check for proper chemical solution delivery.

WEEKLY

1. Grease the brush shaft bearings. Do not allow grease to come in contact with Brush Cloth.
2. Grease fitting for bearing inside the Python Core has been extended to the Corner Gusset for accessibility and hose has been prefilled with grease.
3. Drain water from Filter Regulator Lubricator (FRL) and check lubricant level in FRL.






MONTHLY

1. Inspecting all hardware and fittings for tightness.
2. Grease the Double Roller Pillow Bearings at Python main pivot. Do not allow grease to come in contact with Python Brush Cloth.
3. Inspect the Bumper Stops for wear to ensure the Air Cylinders have not reached the end of travel. If Bumper Stops are worn, replace, as necessary.
4. Inspect soap solution Spray Nozzles for wear. Replace, as needed.
5. Thoroughly clean the equipment and framework.

SEMI-ANNUALLY

1. Carefully inspect Brush Equipment Cloth for wear and damage. Replace, as needed.

11. WEAR ITEMS AND REPLACEMENT PARTS

Part Number	Image	Quantity	Description
20019187		1	Python, Connector Weldment
20019190		1	Python, Connector Shaft 16.125"
20019191		2	Python, Main Arm Weldment
20019197		1	Python, Main Arm Shaft 19.813"
20019184		1	Python, Auxiliary Arm Sub-Assembly

11. WEAR ITEMS AND REPLACEMENT PARTS

Part Number	Image	Quantity	Description
10012704		4	Bearing, 4-Bolt Iglide 1" Bore
20019206		1	Torque Plate Univ Weld
10013846		1	Universal Torque Plate
20019374		2	Ele Torque Reten Stud
10013946		2	Silicone Rnd 1/2" ID, 1-3/8" OD, 1" L

11. WEAR ITEMS AND REPLACEMENT PARTS

Part Number	Image	Quantity	Description
20019419		1	CTB, Python, Ele Torque Ret Spacer
10011743		1	Flender Style TT Gearbox 16:1 Ratio 1HP
10011747		1	Gearbox Only, Flender Style TT 16:1
20019198		2	DCW, Bearing Block Assembly
20015675		4	Tire Seal Thrust Plastic Spacer

11. WEAR ITEMS AND REPLACEMENT PARTS

Part Number	Image	Quantity	Description
10013441		1	Beam Clamp CTB Black PC
20019200		1	Python, Retract Bumper Brace Short
20019201		1	Python, Retract Bumper Brace Long
10013837		1	Python, Retract Bumper Plate A, Black PC
10013838		1	Python, Retract Bumper Plate B, Black PC



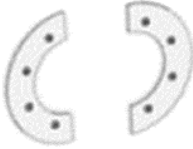

11. WEAR ITEMS AND REPLACEMENT PARTS

Part Number	Image	Quantity	Description
10013835		1	Python, Main Arm Support Bracket Blk PC
10013836		1	Python, Extended Bumper Bracket Black PC
20015701		1	TBG300, Cylinder 6" Assy
10010812		1	Rod End Bearing Female 7/16" w/Zerk
10003431		2	Rubber Stop 3" Diameter O.D. x 2.25" Length






11. WEAR ITEMS AND REPLACEMENT PARTS

Part Number	Image	Quantity	Description
10004899		2	AMI Bearing 2-Bolt Pillow Block 1-1/4"
10005706		2	AMI Bearing 4-Bolt Piloted Flange 1-1/2"
10013950		2	Wheel, 8 OD x 0.75 ID x 2 Thick 40A Duro
20019373		2	Python, Wheel Sleeve
10013843		1	Python, Wheel Bracket A Black PC

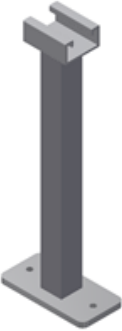

11. WEAR ITEMS AND REPLACEMENT PARTS

Part Number	Image	Quantity	Description
10013844		1	Python, Wheel Bracket B Black PC
10013839		1	Python, Sheetmetal Core Hub 68"
20019525		1	Python, Cantilevered Beam Weldment 39.5"
10013484		2	AL End Plate Half
10013483		1	AL End Plate Full

11. WEAR ITEMS AND REPLACEMENT PARTS

Part Number	Image	Quantity	Description
10013429		2	Core Hub Half Stiffener
20018680		1	Shaft, Flender Electric
10004242		1	Collar 2pc Clamp 1-1/2" I.D. SS
10013435		1	Corner Gusset Black PC
10013841		1	NEOGLIDE® Python Brush DS/PS Set Black

11. WEAR ITEMS AND REPLACEMENT PARTS

Part Number	Image	Quantity	Description
20020076		1	Python, Water Manifold Weldment
20020074		1	Manifold, Python Water Assembly



12. CONTACT US

TECHNICAL SUPPORT

For questions regarding installation, operational issues, settings, or servicing of this equipment, please contact Sonny's Technical Support Team:

Email: Sonnys-Support@SonnysDirect.com

SMS Text: 954-406-4363

Phone: 800-327-8723 Option #5

REPLACEMENT PARTS

Shop Online: <https://sonnysdirect.com/shop/>

Email: CustomerService@SonnysDirect.com

Phone: 800-327-8723 Option #3

SCHEDULE ON-SITE SERVICE AND SUPPORT

Online: <https://sonnysdirect.com/services>

Florida	407-770-1000	Email: SCWSFLservice@sonnysdirect.com
Southeast	770-995-5989	Email: CWSseservice@sonnysdirect.com
Mid-Atlantic	800-448-4735	Email: Service-ma@sonnysdirect.com
Northeast	866-343-6680	Email: SCWSNEservice@sonnysdirect.com
Midwest	800-274-2777	Email: Service-indy@sonnysdirect.com
Texas	800-826-0829	Email: SCWStxservice@sonnysdirect.com
West	833-725-6353	Email: SCWSservice@sonnysdirect.com
All Others	800-327-8723	

EMERGENCY CELL PHONE CONTACTS



<https://sonnysdirect.com/emergency>



SONNY'S[®]
The CarWash Factory
Make CarWashing Easy[™]

