



# SAFETY BULLETIN



September 23, 2022

## Ladder Safety Regulations

For Canopy and Tunnel Installs

### LADDER SAFETY



#### Canopy Install

- Ladders 20' + Must Comply With OSHA 1910.28
- **Minimum 30" Clearance for Ladders Passing Through Openings and Overhead Obstructions**
- With Less Than 30" Clearance, a Deflection Device Must be Installed for Guidance Through Opening
- **General Contractors Must Install a Walking Platform for Personnel Safety**
- For Ladders 6' or More With Unprotected Sides, General Contractors Must Install Guardrails, Safety Nets or a Personal Arrest System



#### Tunnel Install



- Ladders Must Only be Used for What They Were Designed for
- **Do Not Use a Ladder's Cap or Top Step**
- **Do Not Exceed a Ladder's Max Weight**
- **Ladders Must be Leveled Before Using**
- Ladder Rungs, Cleats and Steps Must be Parallel, Leveled and Uniformly Spaced Out
- **Do Not Use Damaged Ladders**
- Personnel Must Face Ladder When Climbing and Going Down the Ladder
- **Personnel Must Not Carry Any Objects That Can Cause Them to Lose Their Balance While Climbing and Going Down the Ladder**
- **Do Not Use Single Rail Ladders**
- **Do Not Use Wooden Ladders**

### VERIFY SAFE WORKING CONDITIONS

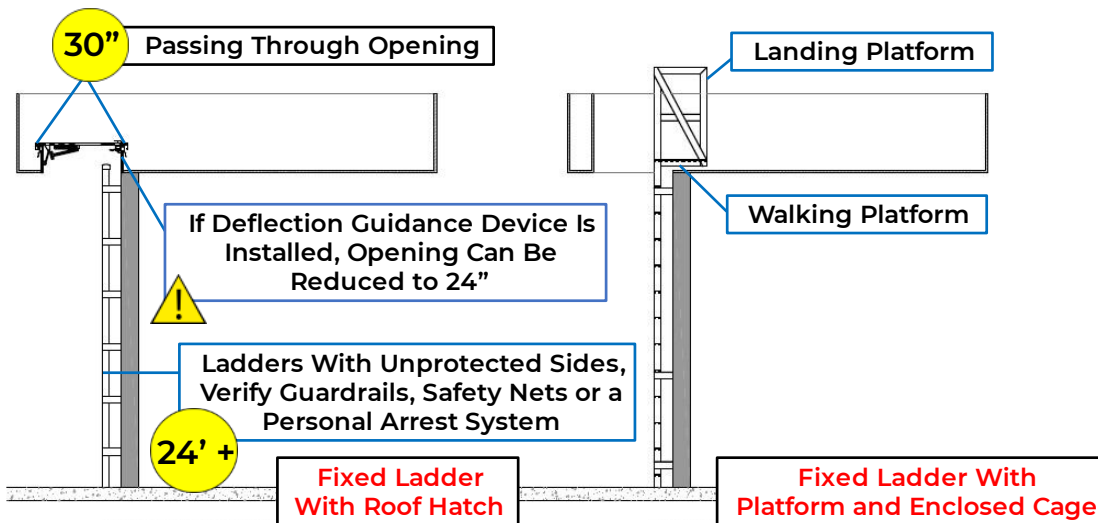
Call to Action  
Ladder Safety  
Canopy Installations  
Tunnel Installations

## DETAILED INFORMATION

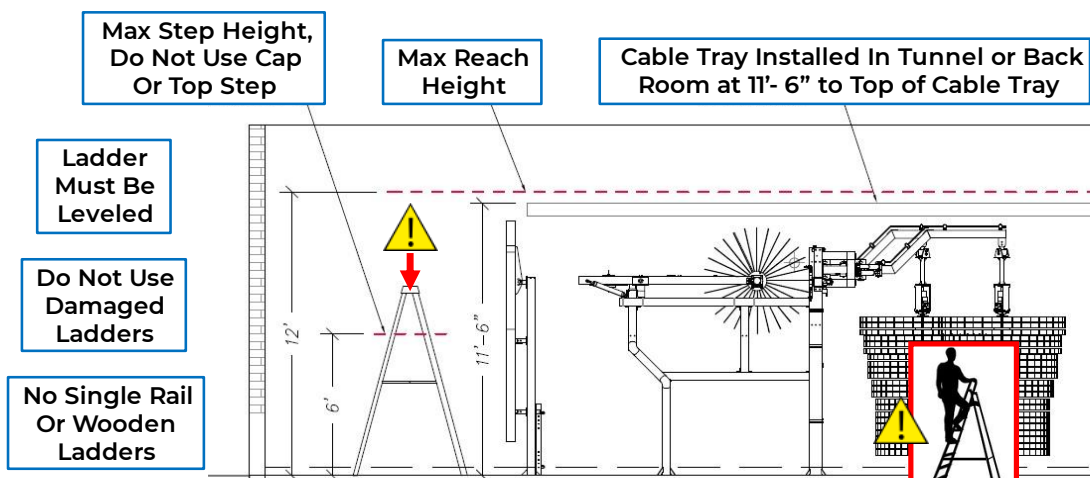
The images below show the Safety Regulations for Fixed Canopy Ladders and Removable Tunnel Ladders.

**⚠️ DANGER:** Always Shutoff All Power to Conveyor and/or Equipment Before Starting Any Install, Maintenance, Service or Repairs. Failure to do this may result in personal injury, death, and/or dismemberment.

### CANOPY INSTALL



### TUNNEL INSTALL



- Ladder Must Only be Used for What it was Designed for
- Do Not Exceed Max Weight Limit
- Personnel Must Not Carry Any Objects that Will Cause Them to Lose Balance
- Personnel Must Face Ladder When Climbing and Going Down the Ladder

