

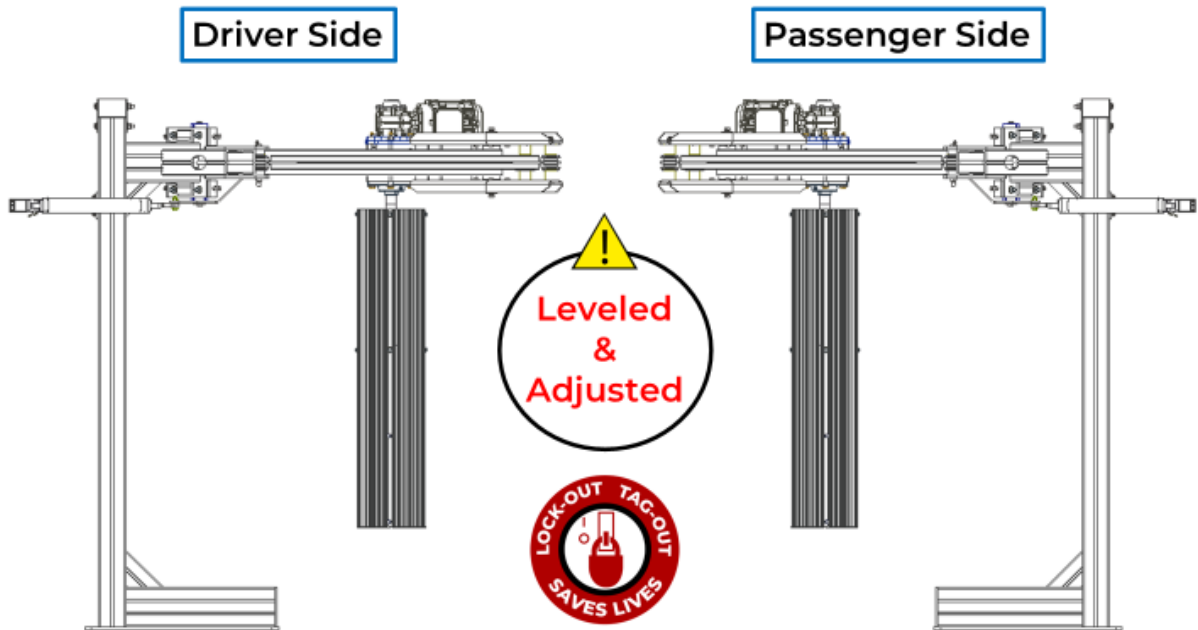


TECHNICAL BULLETIN

August 14, 2022

Dual Action Grill Brush

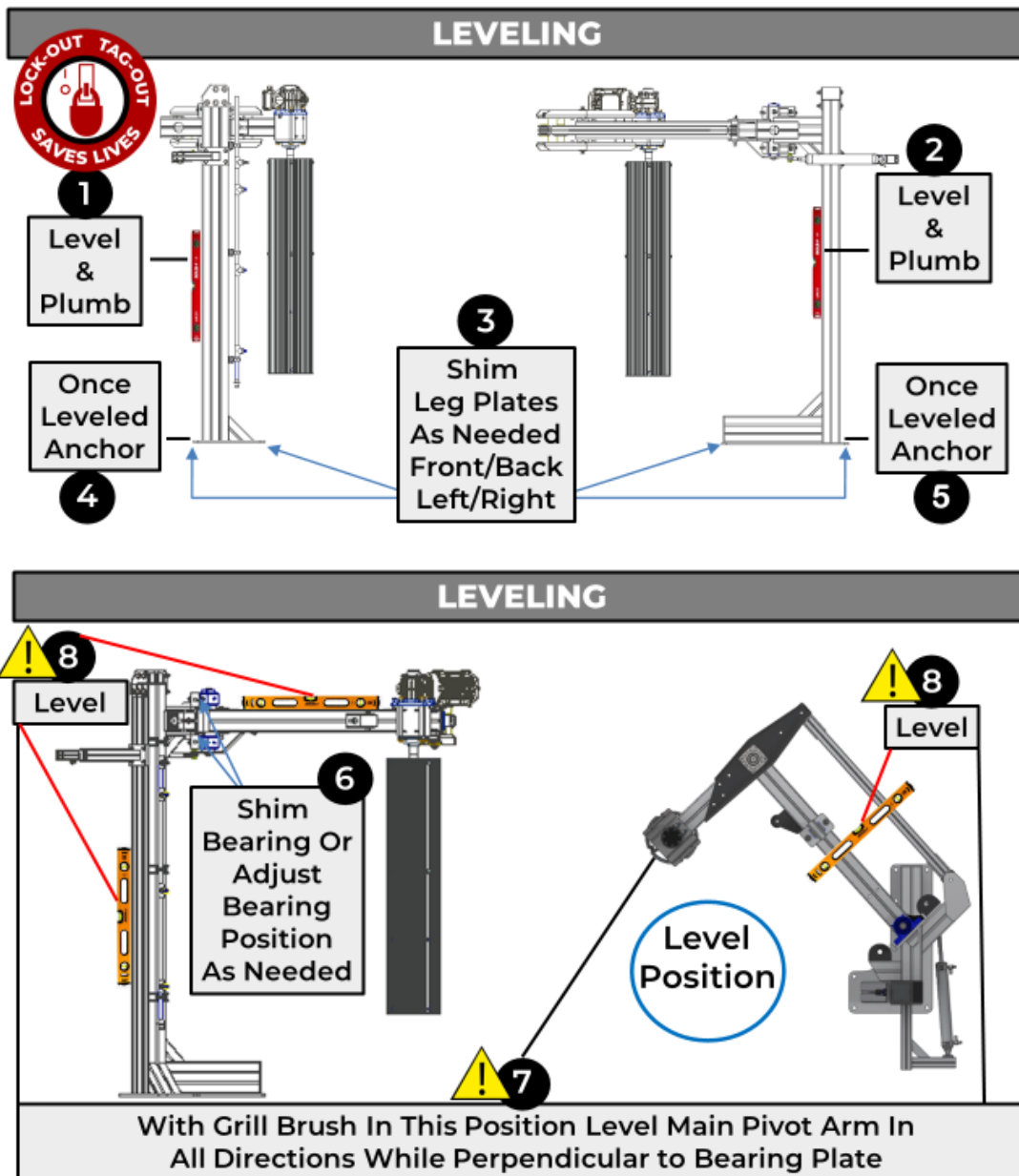
Leveling and Adjustments



Install
Level
Adjust

PROPER INSTALL TO LEVEL & ADJUST DUAL ACTION GRILL BRUSH

DANGER: Always Shutoff All Power to Conveyor and/or Equipment Before Starting Any Install, Maintenance, Service or Repairs. Failure to do this may result in personal injury, death, and/or dismemberment.



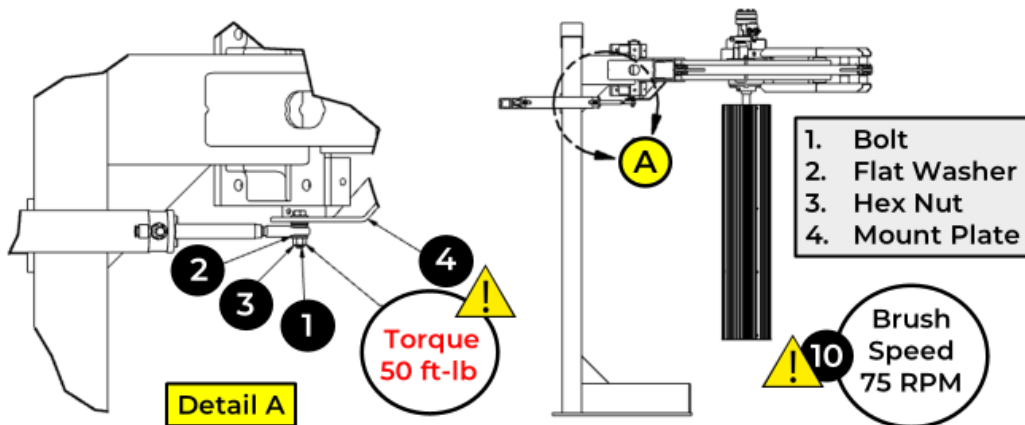
PROPER INSTALL TO LEVEL & ADJUST DUAL ACTION GRILL BRUSH

LEVELING



9 With Grill Brush In This Position, Main Pivot Arm Should Slightly Lean Into The Vehicle

ADJUSTMENTS

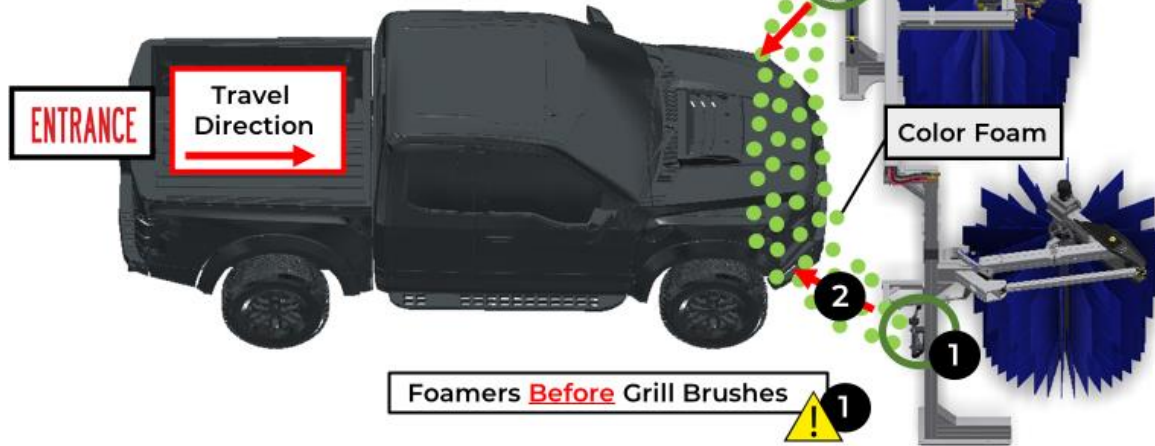


5. Air Pressure Between 10-15 PSI
6. Air Pressure Retracts Until Brush Fully Retracts
7. Adjust Air Cylinder Flow Control to Prevent Arm & Bumper Collision
8. Make Sure Air Cylinder Rod Is Attached To Retract Brackets
9. Use Proper Foam & Soap Lubrication On Brushes & Vehicle

PROPER FOAM & SOAP LUBRICATION

3 Vehicle Should Be Lubricated Before Coming In Contact With Grill Brushes

2 Foam Direction - Towards Entrance



LEVELED AND ADJUSTED

