



## Omni Wash Basket Top Attachment – Electric

### Technical Bulletin

8/14/20

---

**Summary** Sonny's OMNI™ Wash Attachments deliver our industry-leading pivoting and oscillating high-pressure wash technology in a convenient attachment with hardware to mount to any 4in x 4in arch in your wash.

This Technical Bulletin is to advise distributors and installers about a change that has been made to the Omni Wash Basket Top Attachment so that the unit now utilizes a smaller air cylinder.

---

**Detail Information** Prior to this change, the air cylinder previously used for electric attachments was encountering issues with hitting against the basket for the Omni Wash Attachment unit, which could damage the air cylinder.

The position of the air cylinder unit has also been changed, to shift it away from the basket. The basket weldment's air cylinder mount casting was also changed to remove the U-shaped part to allow easier mounting of the air cylinder.

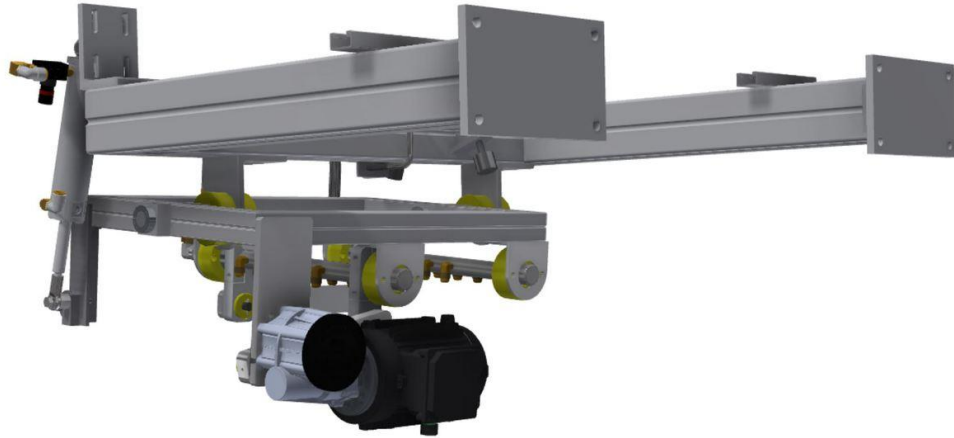
In order to accommodate this new position, the end of the air cylinder has been changed to incorporate a standard rod eye bearing, which allows for a smoother operation.

The following image shows the new rod eye bearing, and the hex bolt, nut and spacer used to secure the cylinder:

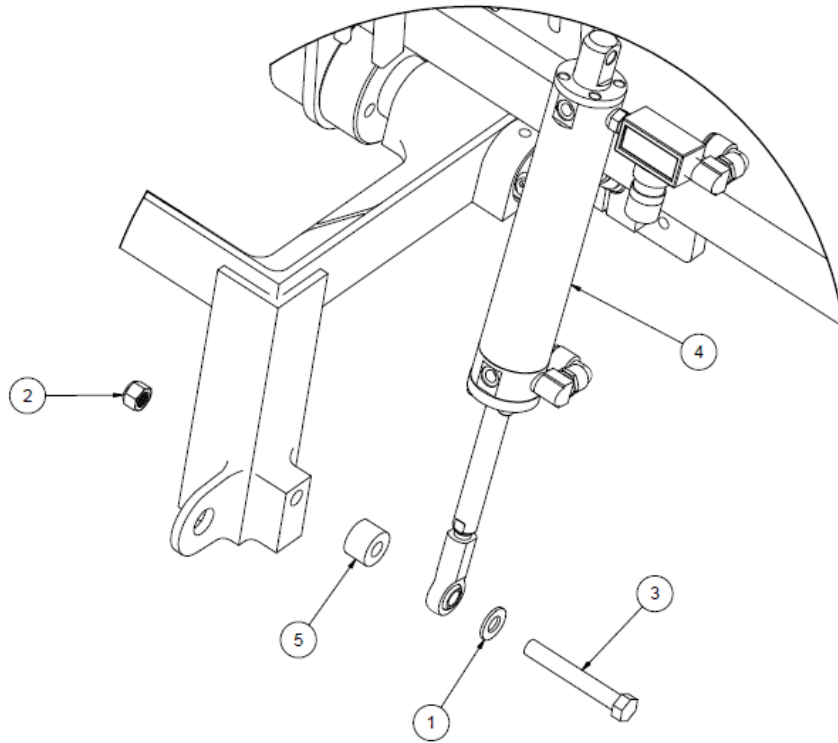


As with all non-rotational bearings, this new bearing will need to be greased on a **monthly** basis.

The motor mounting plate has also been changed to allow the motor to be installed in the position shown in the attached image. The new position prevents interference from the electric motor hitting the frame.



The following table and chart show the parts used in the updated Omni Wash Attachment:



ITEM	QTY	PART NUMBER	DESCRIPTION
1	1	10011240	Washer, Flat, 7/16, ZcCh G8 SAE
2	1	10012164	Nut, Hex Nylon-Lock 7/16-14 Zc 43CNNE8Y
3	1	10013630	Bolt, Hex 7/16-14 X 3.00 ZC
4	1	20007132	Omni, Top Cylinder Hybrid Assembly
5	1	20015325	Spacer, DCW Cylinder 7/16 ID X 0.67"

**Note:** The above design adjustments made for the new **Omni Wash Basket Top Attachment** (Part # OMNI\_BKT\_TOP) are not available for previous basket models and there is no retrofit kit available.

**For Additional  
Information**

Please contact Sonny's Tech Support Team for installation and/or operational questions regarding this Technical Bulletin.

You can also visit our website at [www.SonnysDirect.com](http://www.SonnysDirect.com).

<b>DEPARTMENT</b>	<b>PHONE</b>	
Toll Free Main Line	800-327-8723	
Sonny's Tech Support	954-720-4100	Ext. 234

[Sonnys-Support@SonnysDirect.com](mailto:Sonnys-Support@SonnysDirect.com)

---