

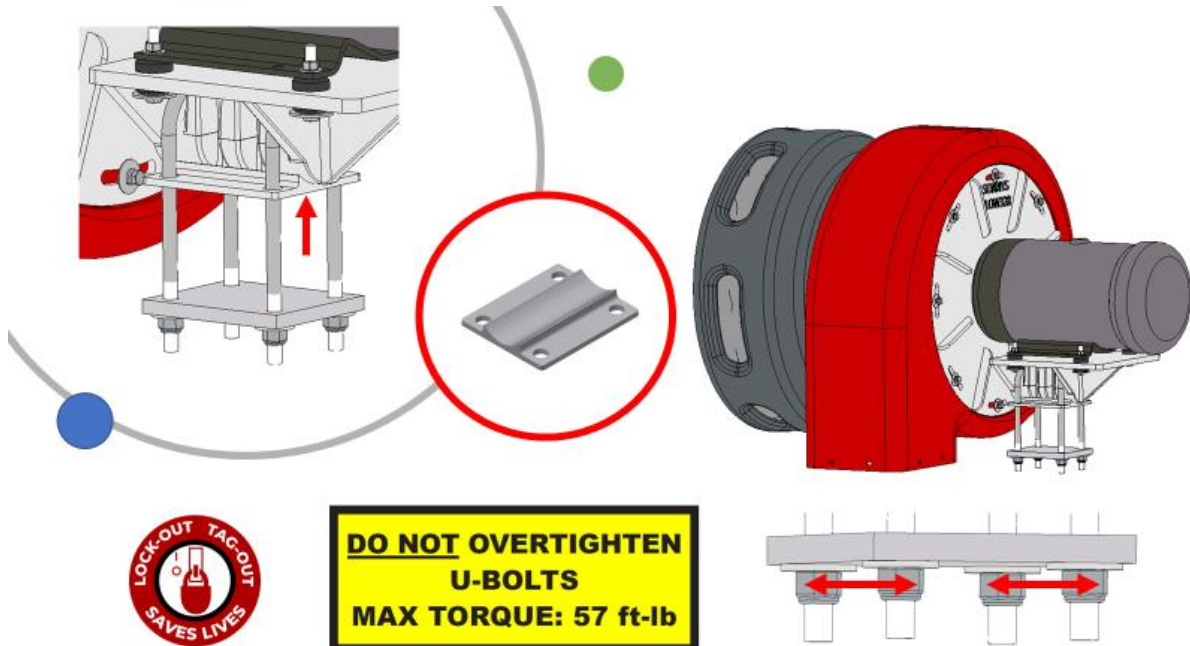


TECHNICAL BULLETIN

May 28, 2022

Blower U-Bolts

MAX Torque 57 ft-lb




Prevent Damage
Inspect, Confirm
Protect Mounting Plate
U-Bolts MAX TORQUE 57 ft-lb

SUMMARY

In order to protect the Blower Mounting Plate from cracking, the U-Bolts can NOT be torqued more than 57 ft-lb at the time of installation.

The information below explains.

 **WARNING:** When installing or inspecting installed Blowers, make sure the U-Bolts MAX Torque is 57 ft-lb.

 **DANGER:** Always Shutoff All Power to Conveyor and/or Equipment Before Starting Any Install, Maintenance, Service or Repairs. Failure to do this may result in personal injury, death, and/or dismemberment.

BLOWER U-BOLTS

