

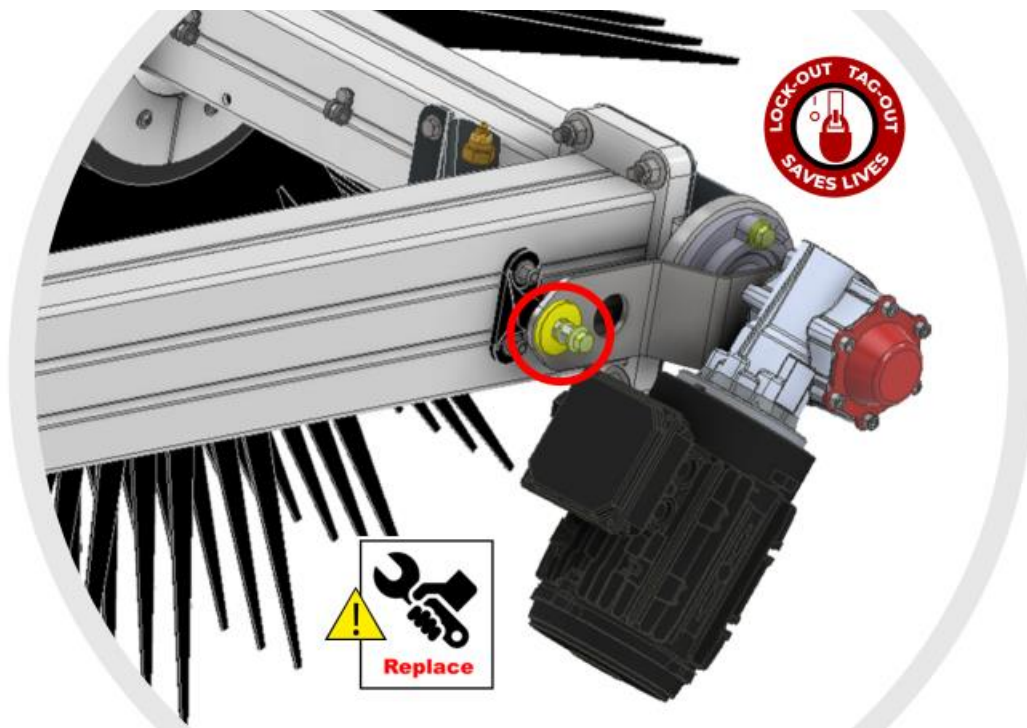


TECHNICAL BULLETIN

October 28, 2021

Compact Top Brush

Torque Plate Retainer & Sleeve Replacement




Prevent Damage and Liability
Inspection Required
Replacement Required

SUMMARY


Sonny's has identified that some Torque Plates may have been placed onto assemblies with incorrect bend dimensions. This could possibly cause increased stress and wear onto the Shaft of the Compact Top Brush if not corrected. The Kit provided has all the necessary hardware needed to correct the issue. *Please install all components provided as per the instructions in this bulletin.*

The information below covers how to replace the affected hardware and steps to verify equipment and hardware are installed correctly.

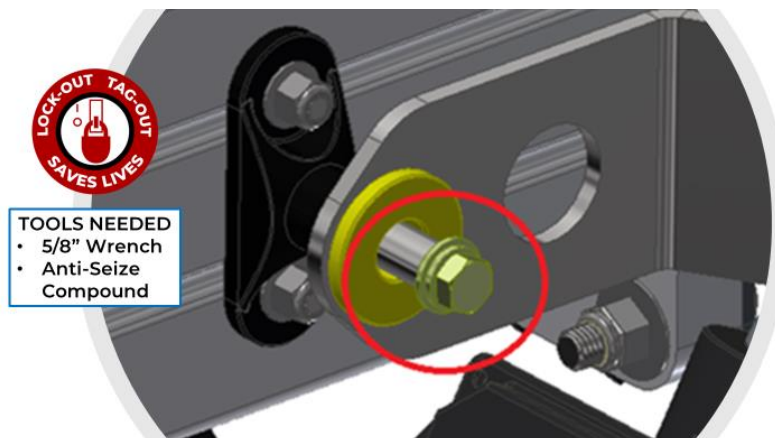
 **IMPORTANT:** The Power for the Compact Top Brush **MUST** be Locked Out and Tagged Out before following the procedures in this bulletin.

 **IMPORTANT:** All parts and components **MUST** be installed, repaired, and retrofitted by experienced and trained technicians. Make sure to follow Local and State Safety Wear Required Regulations to ensure the safety of all personnel. Failure to follow Safety Regulations may result in personal injury, death and/or dismemberment.

DETAILED INFORMATION

 **DANGER:** Always Shutoff All Power to Conveyor and/or Equipment Before Starting Any Install, Maintenance, Service or Repairs. Failure to do this may result in personal injury, death, and/or dismemberment.

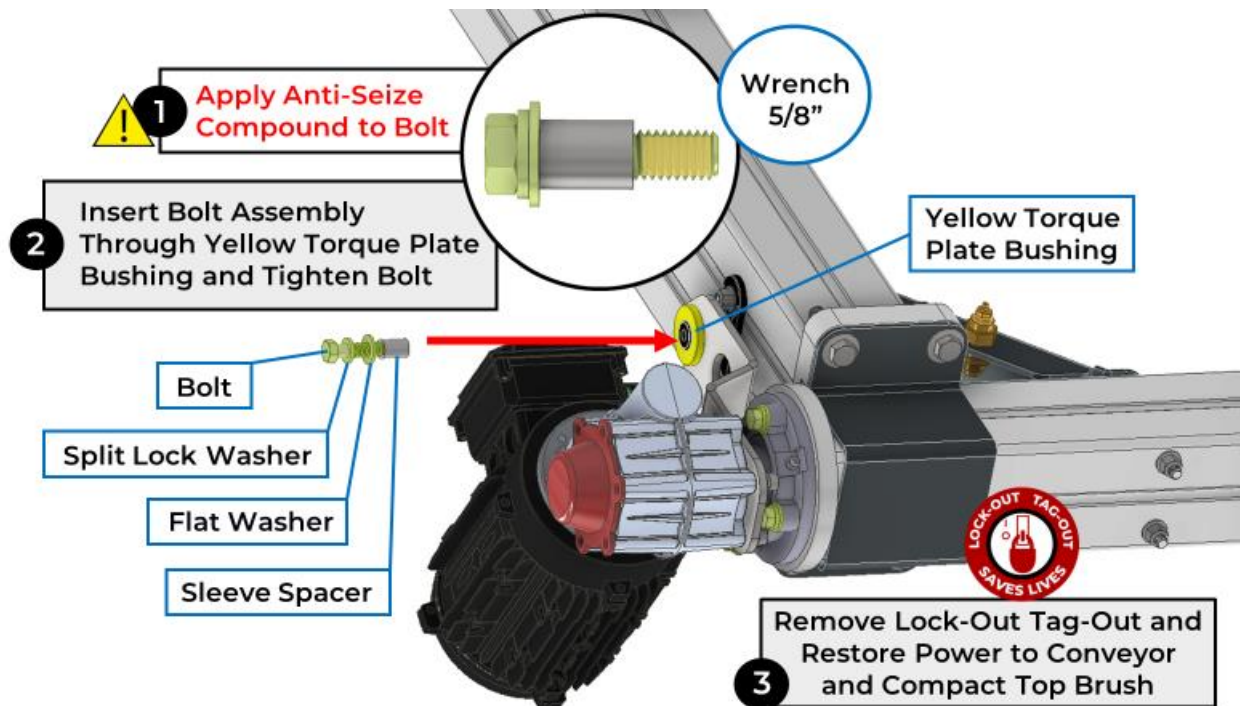
1. Release the Air from the Control Valve located in the back room to bring the Compact Top Brush to a fully rested downward position. Shutoff Power to conveyor and Compact Top Brush, Lock-Out Tag-Out.
2. While supporting the weight of the Motor, remove the retainer Bolt with a 5/8" Wrench that is circled in the image below.



HARDWARE REPLACEMENT

Replace the Bolt, Split Lock Washer, Flat Washer, and Stainless-Steel Sleeve Spacer with the components provided in the Kit in the same orientation as the original assembly (see image below). Remove Lock-Out Tag-Out and Restore Power to Conveyor and Compact Top Brush.

NOTE: The retainer Sleeve provided in the Kit is longer than the one originally installed.



NEW HARDWARE

Packing List for Kit # 20019770

- 1 of 10011238 – Hex Bolt, 7/16" – 14 x 2.50 Zn Grade 8
- 1 of 10011241 – Slip Lock Washer 7/16" Zn Grade 8
- 1 of 10011240 – Flat Washer, SAE 7/16" Zn Grade 8
- 1 of 20011932 – Sleeve Spacer, Stainless Steel

NOTE: Changing these components will provide additional spacing to allow the Torque Plate to float and relax into its intended position.

