



Prep Gun Station- Strainer Installation

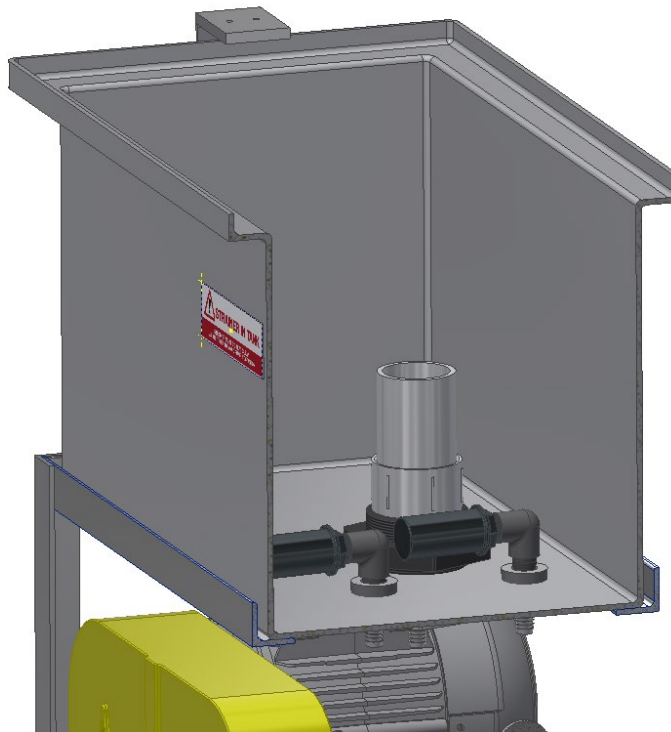
Technical Bulletin

11/20/2020

Summary An issue has been detected with medium to large debris that can accumulate in the tank during installation and maintenance activities being sucked into the pump during ensuing operation.

The Purpose of this Technical Bulletin is to communicate and illustrate how and where to install a strainer to prevent the pump from being starved of water.

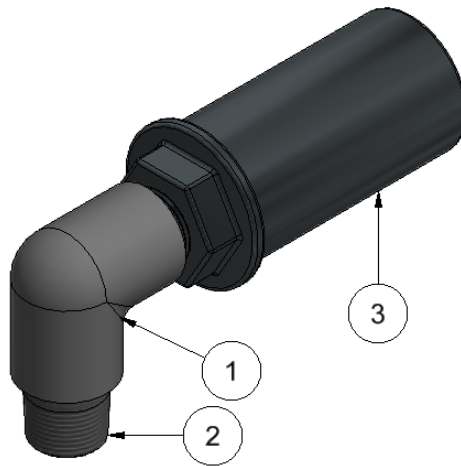
***NOTE* Strainer must be kept clean at all times to avoid pump starvation and catastrophic failure.**



Detail Information **Installing Strainer**

- The quantities of strainers and fittings will be dependent on the configuration of the prep gun unit specifically how many pump feed lines are installed on the unit. The table below lists the required parts and quantities for a single pump feed line.

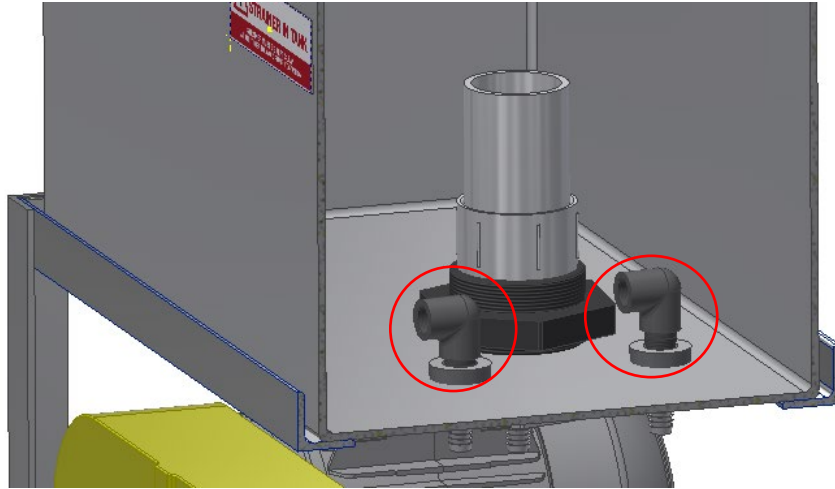
PARTS LIST				
ITEM	QTY	PART NUMBER	DESCRIPTION	MATERIAL
1	1	10001927	Elbow, 808-007 PVC80 3/4in FPT	PVC-FITTING
2	1	10000649	Nipple 883-005 PVC80 3/4in x Close	PVC-FITTING
3	1	10013774	Suction Strainer 30 Mesh, 3/4 NPT	Nylon 6



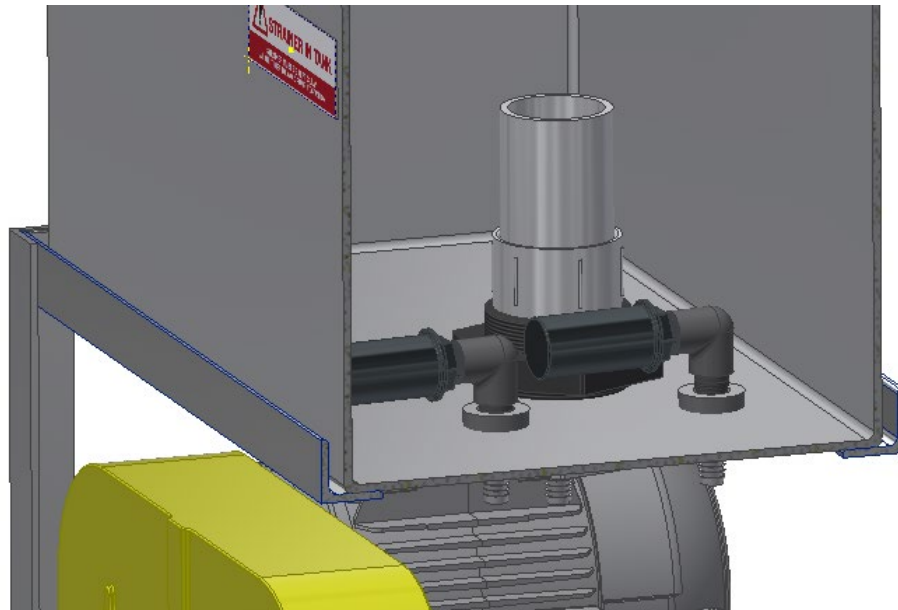
- Pre-assemble 3/4" MPT Nipple (10000649) and 3/4" FPT Elbow (10001927) as shown below.



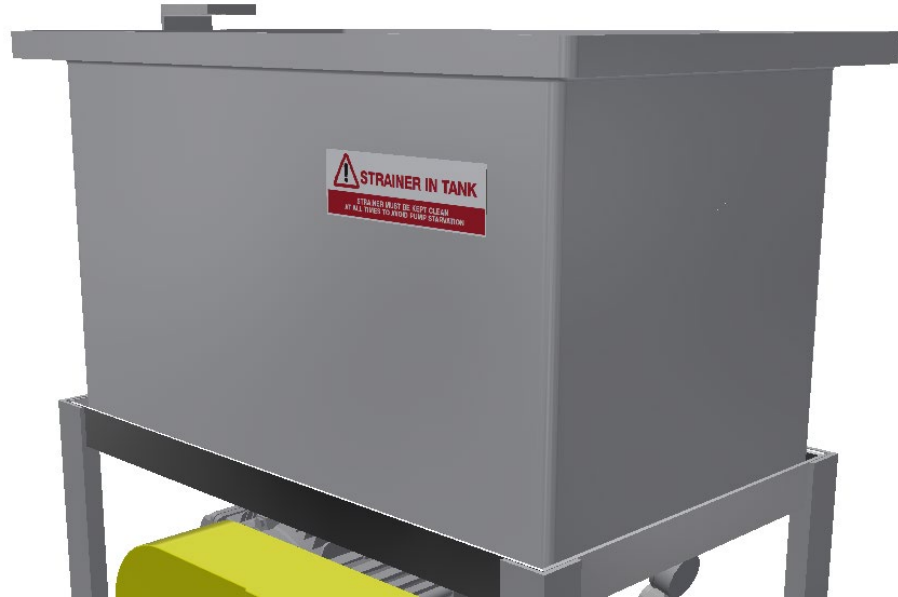
3. Attach pre-assembled fittings to the ¾" NPT Bulkhead fitting.
(Installed at the factory and already present in the tank)



4. Verify that the inlet of the elbow is oriented such that there is sufficient clearance to installing and service the suction strainer (10013774).



5. After the installation has been completed, attach warning decal (10013775) on the front of the unit in a visible location.



**For
Additional
Information**

Please contact Sonny's Equipment Department for installation and/or operational questions regarding this Technical Bulletin.

You can also visit our website at www.SonnysDirect.com.

DEPARTMENT	PHONE	FAX
Toll Free Main Line	800-327-8723	800-495-4049
Equipment Department	954-720-4100	954-720-9292

Or you can email Sales at sales@SonnysDirect.com